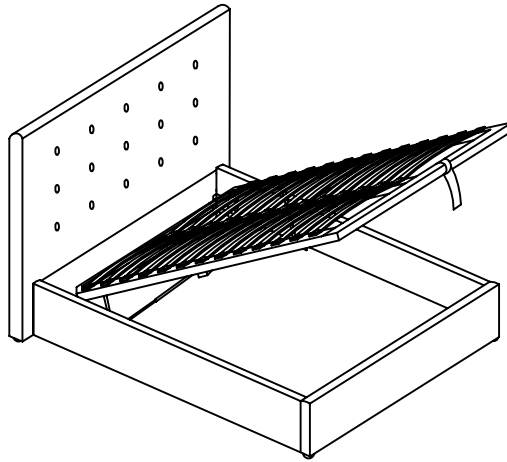


# RIMINI 4FT6IN DOUBLE BED

## ASSEMBLY INSTRUCTIONS



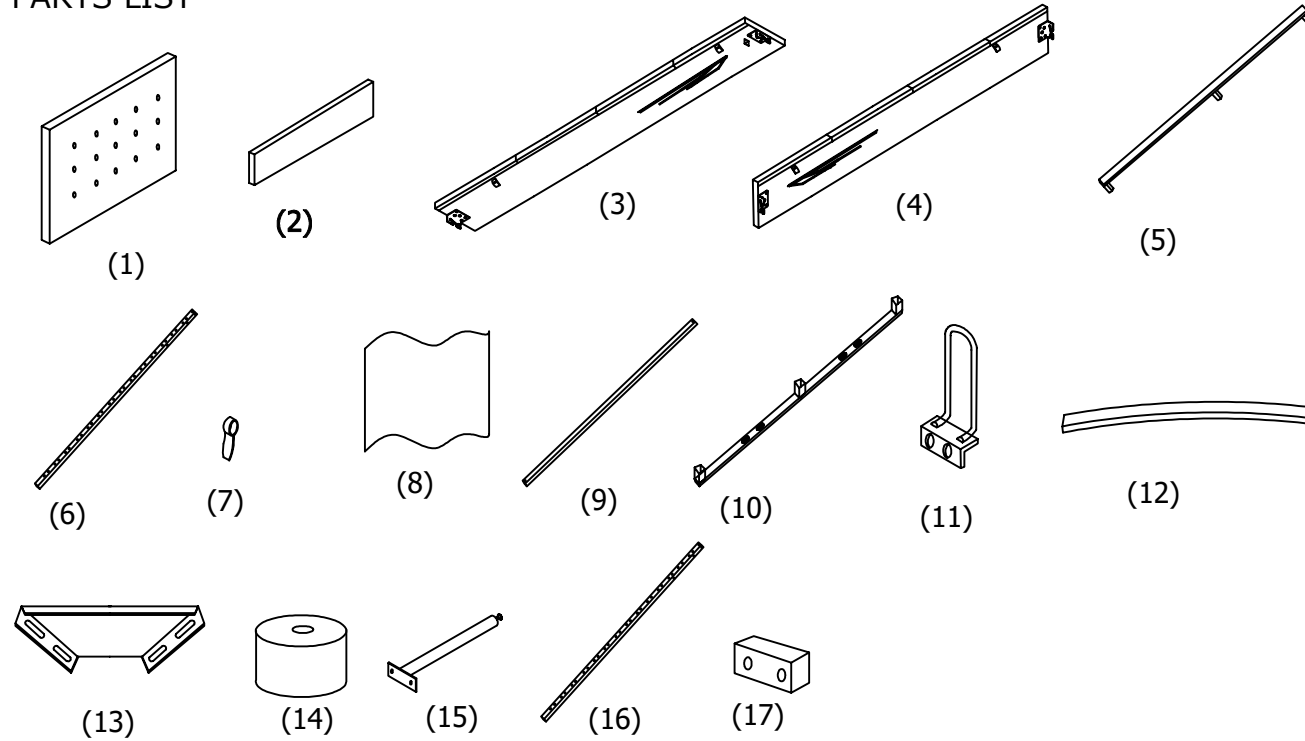
### IMPORTANT

PLEASE READ BEFORE YOU CONTINUE FURTHER

- PLEASE KEEP THE ORIGINAL PACKAGING UNTIL THE ITEM IS FULLY ASSEMBLED AND IN PLACE. IN THE UNLIKELY EVENT YOU NEED TO RETURN YOUR PRODUCT, IT MUST BE RETURNED IN ITS ORIGINAL PACKAGING TO AVOID FURTHER DAMAGE.
- THE PRODUCT YOU HAVE PURCHASED WILL GIVE YOU MANY YEARS OF SERVICE IF YOU FOLLOW THE GUIDELINES FOR ITS SAFE ASSEMBLY AND PERIODIC MAINTENANCE AND CLEANING.
- ASSEMBLE ON A SOFT CLEAN SURFACE.
- DO NOT USE ANY TOOLS OTHER THAN THOSE SHOWN.
- ANY SPANNERS OR ALLEN KEYS REQUIRED ARE INCLUDED WITH THE FITTINGS KIT.
- DO NOT FOR ANY REASON USE A POWER TOOL TO ASSEMBLE THIS PRODUCT.
- ITS USE WILL INVALIDATE ANY CLAIM YOU MAY HAVE AND COULD MAKE THIS PRODUCT UNSAFE.
- DEPENDING ON THE AMOUNT OF USE THIS PRODUCT RECEIVES IT MAY BE NECESSARY TO TIGHTEN UP THE FIXINGS FROM TIME TO TIME COMPLETELY NORMAL FOR ANY FLAT PACK FURNITURE.
- DO NOT OVERTIGHTEN FIXINGS.
- FOR CLEANING YOU MAY USE A DAMP CLOTH (NOT WET).
- THE SURFACE OF THIS ITEM IS NOT HEAT RESISTANT.
- ALWAYS USE A PLACE MAT UNDER HOT OR COLD ITEMS TO PREVENT MARKING.
- IF THE ROOM YOU PLAN TO USE YOUR NEW BED IN HAS A LAMINATE OR WOOD FLOOR, WE HIGHLY RECOMMEND YOU PURCHASE SOME ANTI-SKID PADS TO FIT TO THE UNDERSIDE OF THE FEET OF THE BED.
- FLOORS OF THIS NATURE OFFER NO GRIP, WHICH OVER A SMALL PERIOD OF TIME CAN RESULT IN THE BED FITTINGS & COMPONENTS COMING LOSE OR BREAKING ALTOGETHER DUE TO THEM SLOWLY SLIPPING ON THE FLOOR.
- THESE GRIPS WILL ALSO PROTECT YOUR FLOOR FROM ANY MARKING THAT MAY BE CAUSED BY YOUR FURNITURE SLIPPING IN THIS MANNER.
- THESE PADS CAN BE BOUGHT FROM MOST GOOD DIY SHOPS OR SUPERSTORES AND ARE RELATIVELY INEXPENSIVE.
- IF THIS PRODUCT IS GOING TO BE USED ON A WOOD, LAMINATE OR TILED FLOOR, YOU MUST APPLY “ANTI SLIP PADS” TO ALL LEGS TOUCHING THE FLOOR.
- THESE ARE AVAILABLE TO BUY IN MOST HARDWARE SHOPS IN A FELT MATERIAL OR RUBBER AND ARE RELATIVELY INEXPENSIVE.
- THE PADS WILL PROTECT YOUR FLOOR FROM ANY MARKING AND ALSO FROM SLIPPING.
- FAILURE TO APPLY THE PADS WILL RESULT IN NO RETURNS OF THE PRODUCT AND ANY SPARE’S REQUESTED.

**PLEASE CHECK THAT YOU HAVE ALL THE PARTS LISTED BEFORE YOU START ASSEMBLING. IF YOU DO FIND THAT SOMETHING IS MISSING, DO NOT CONTINUE ASSEMBLY. PLEASE CONTACT YOUR SUPPLIER IMMEDIATELY.**

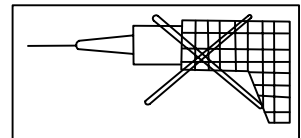
**PARTS LIST**



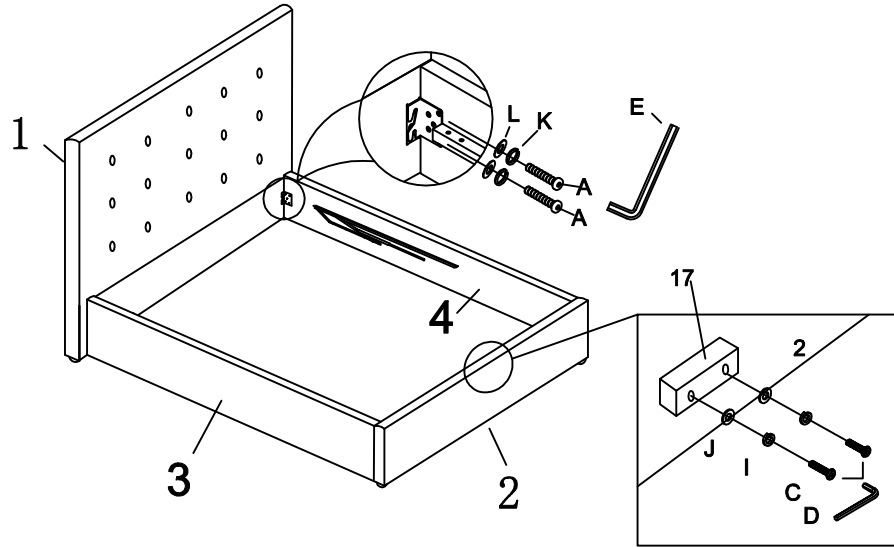
1	HEADBOARD	1 PC
2	FOOTBOARD	1 PC
3	SIDE RAIL	1 PC
4	SIDE RAIL	1 PC
5	BACK RAIL ( FOOTBOARD)	1 PC
6	METAL FRAME(LEFT & RIGHT)	2 PCS
7	HANDLE	1 PC
8	NON-WOVEN FABRICS	1 PC
9	CENTRE CROSS RAIL	2 PCS
10	FRONT RAIL (HEADBOARD)	1 PC
11	BARRIER	2 PCS
12	BENT WOOD SLAT	26 PCS
13	METAL CORNER PLATE	4 PCS
14	LEG	4 PCS
15	CENTRE SUPPORT LEG	2 PCS
16	CENTRE RAIL	1 PC
17	BASE SUPPORT	1 PC

A		Ø5/16"X25MM BOLT	24 PCS	G		CENTRE PLASTIC CONECTOR	13 PCS
B		Ø1/4"X20MM BOLT	16 PCS	H		END CAP	26 PCS
C		Ø1/4"X57MM BOLT	2 PCS	I		Ø1/4"SPRING WASHER	18 PCS
D		4MM ALLEN KEY	1 PC	J		Ø1/4"X16MM WASHER	18 PCS
E		5MM ALLEN KEY	1 PC	K		Ø5/16"SPRING WASHER	52 PCS
F		Ø5/16"X55MM BOLT	2 PCS	L		Ø5/16"X19MM WASHER	52 PCS
M		Ø5/16"X45MM BOLT	12 PCS				
N		Ø5/16"X13MM NUT	14 PCS				
O		SPANNER	1 PC				
P		WOOD SCREW	4 PCS				

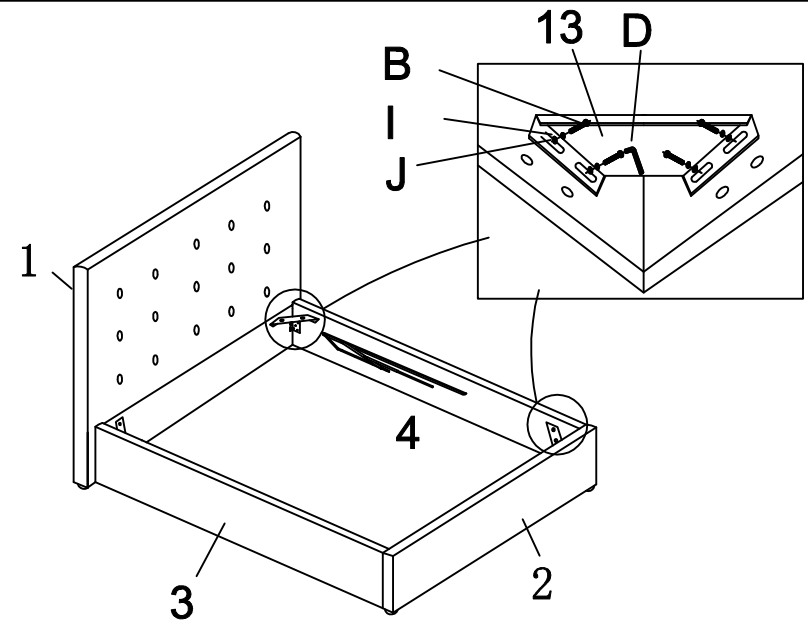
**USE OF POWER TOOLS TO ASSEMBLE THIS PRODUCT WILL INVALIDATE ANY CLAIM AND MAY DAMAGE THIS PRODUCT MAKING IT UNSAFE**



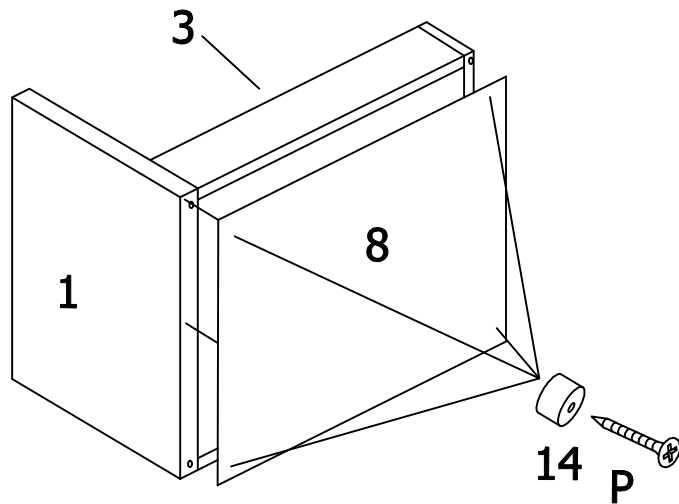
### Step 1



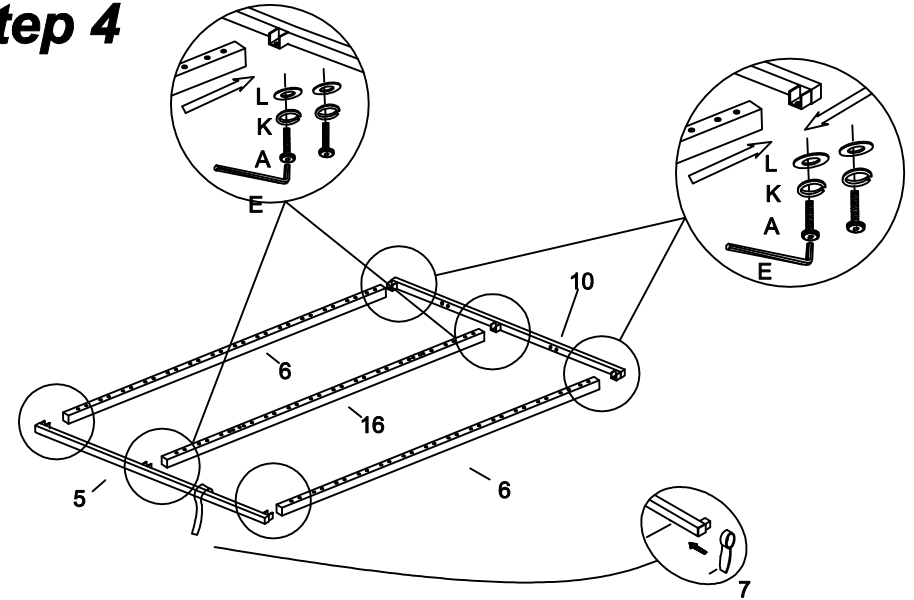
### Step 2



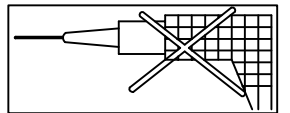
### Step 3



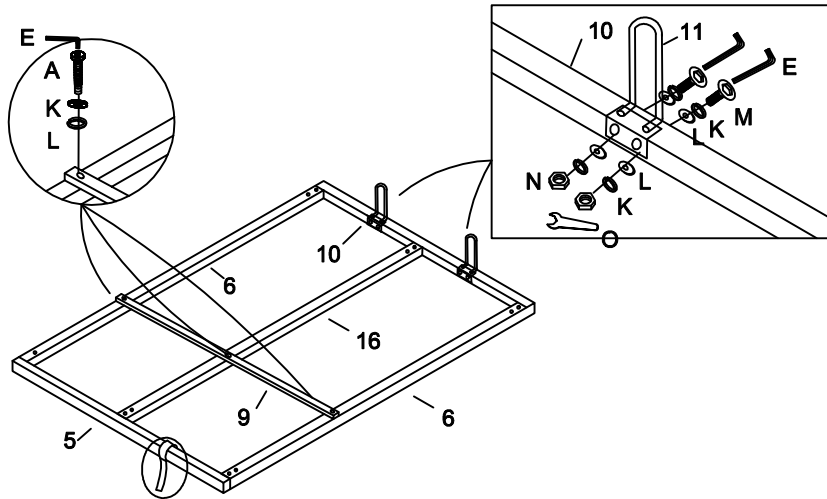
### Step 4



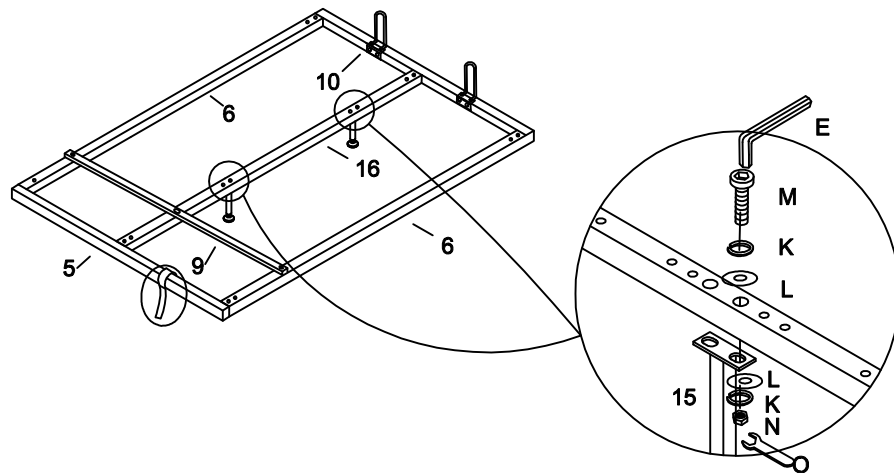
USE OF POWER TOOLS TO ASSEMBLE THIS PRODUCT WILL INVALIDATE ANY CLAIM AND MAY DAMAGE THIS PRODUCT MAKING IT UNSAFE



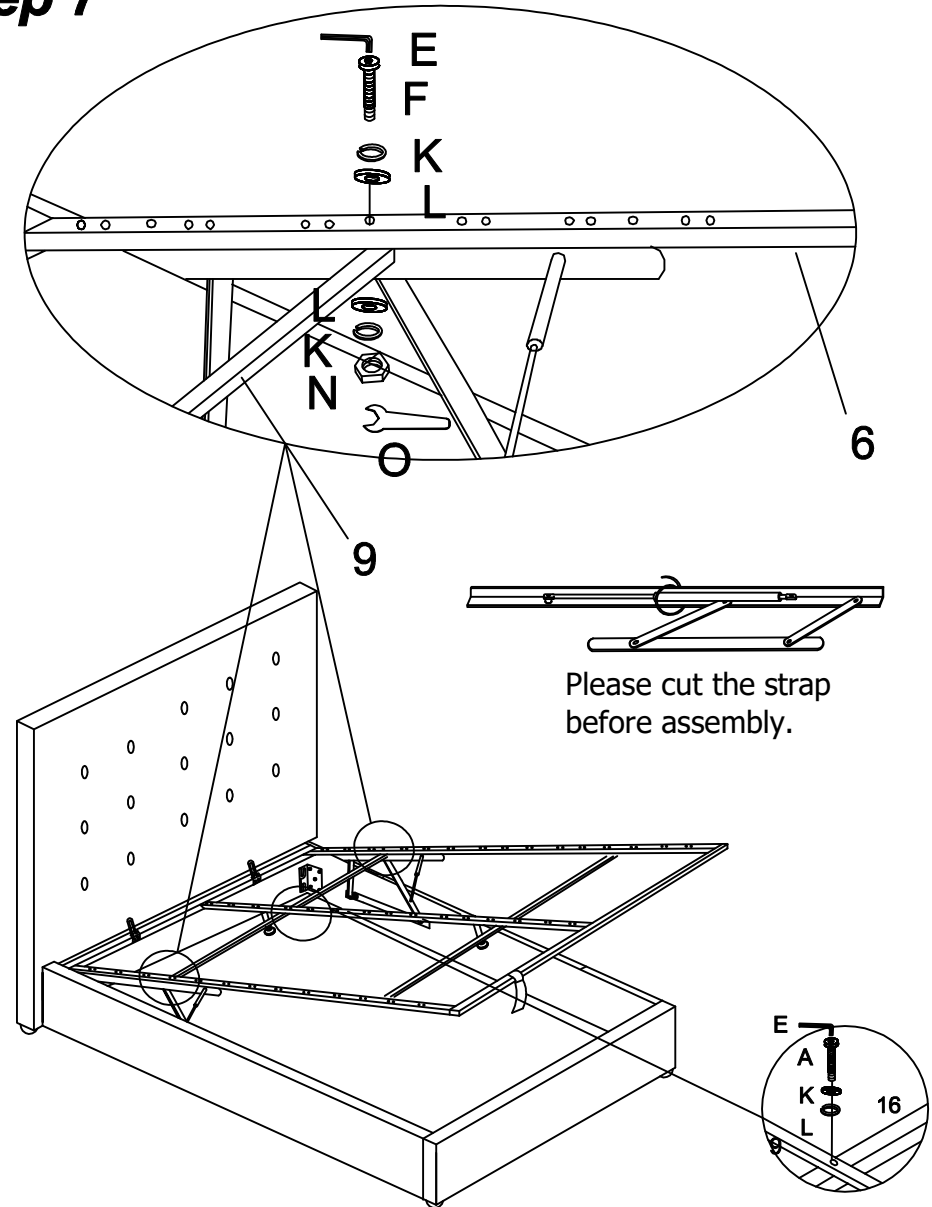
## Step 5



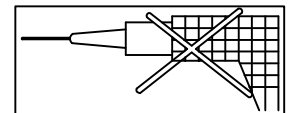
## Step 6



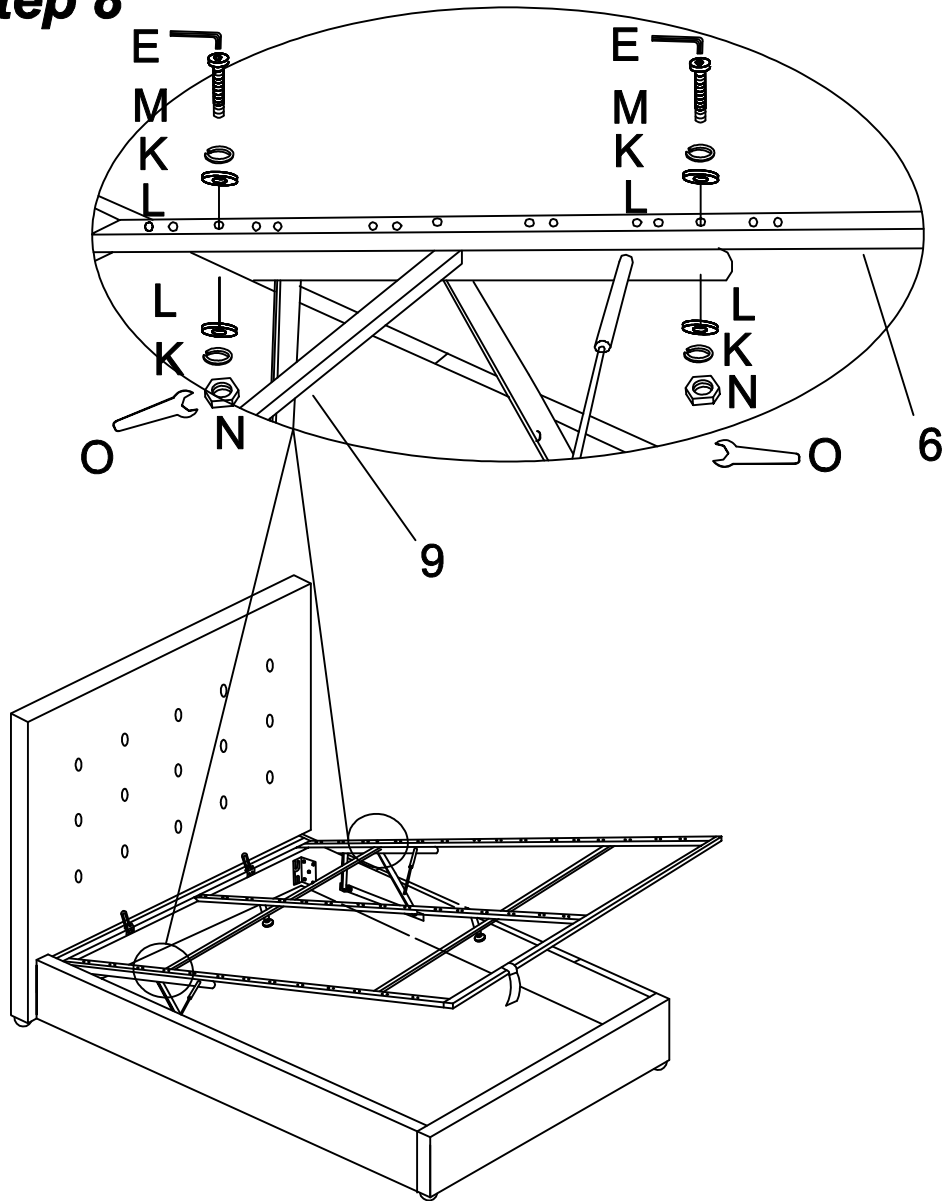
## Step 7



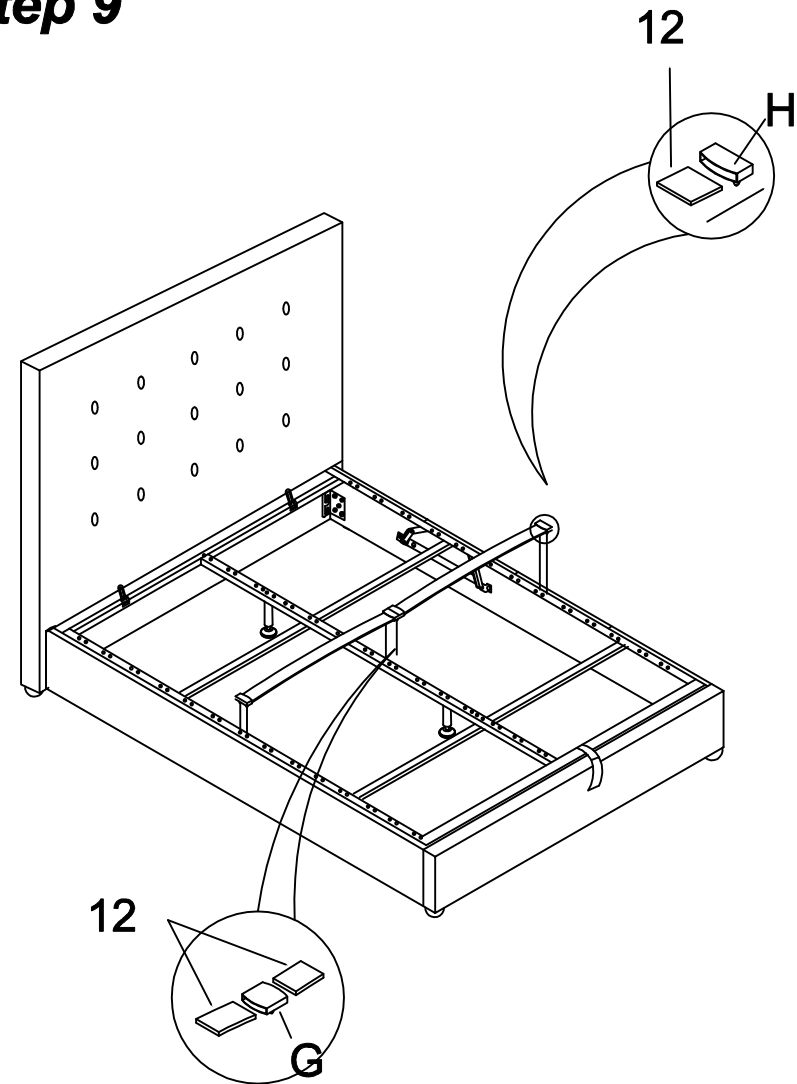
**USE OF POWER TOOLS TO ASSEMBLE THIS PRODUCT WILL INVALIDATE ANY CLAIM AND MAY DAMAGE THIS PRODUCT MAKING IT UNSAFE**



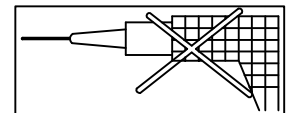
### Step 8



### Step 9



**USE OF POWER TOOLS TO ASSEMBLE THIS PRODUCT WILL INVALIDATE ANY CLAIM AND MAY DAMAGE THIS PRODUCT MAKING IT UNSAFE**



# IMPORTANT NOTICE

Please unzip the back of the headboard cover to find the ....

- Assembly instructions.
- Slats for the bed base.
- The foot board.
- The fittings.
- Metal parts for the assembly of the bed base

## **DO NOT THROW AWAY ANY PACKAGING**

Please unpack and inspect all items carefully before trying to assemble. If for any reason you need to return this item then you must return it in its original packaging.

**Assembled items cannot be returned...**

Place all parts on a even clean surface such as a carpet or the packing cardboard this will help to protect them against scratching or damage.

Please count all parts to ensure they are all there **BEFORE** starting to Assemble,

READ the assembly carefully the instructions before you start to assemble so you understand.

Don't tighten any screws or use an electric or battery assisted screwdriver it will damage the product immediately if any parts are missing do not try to assemble as we cannot accept any part assembled product to be returned.

A lot of care and attention has been put in to the manufacturing of this bed, We hope you enjoy it and it gives you many years of pleasure.