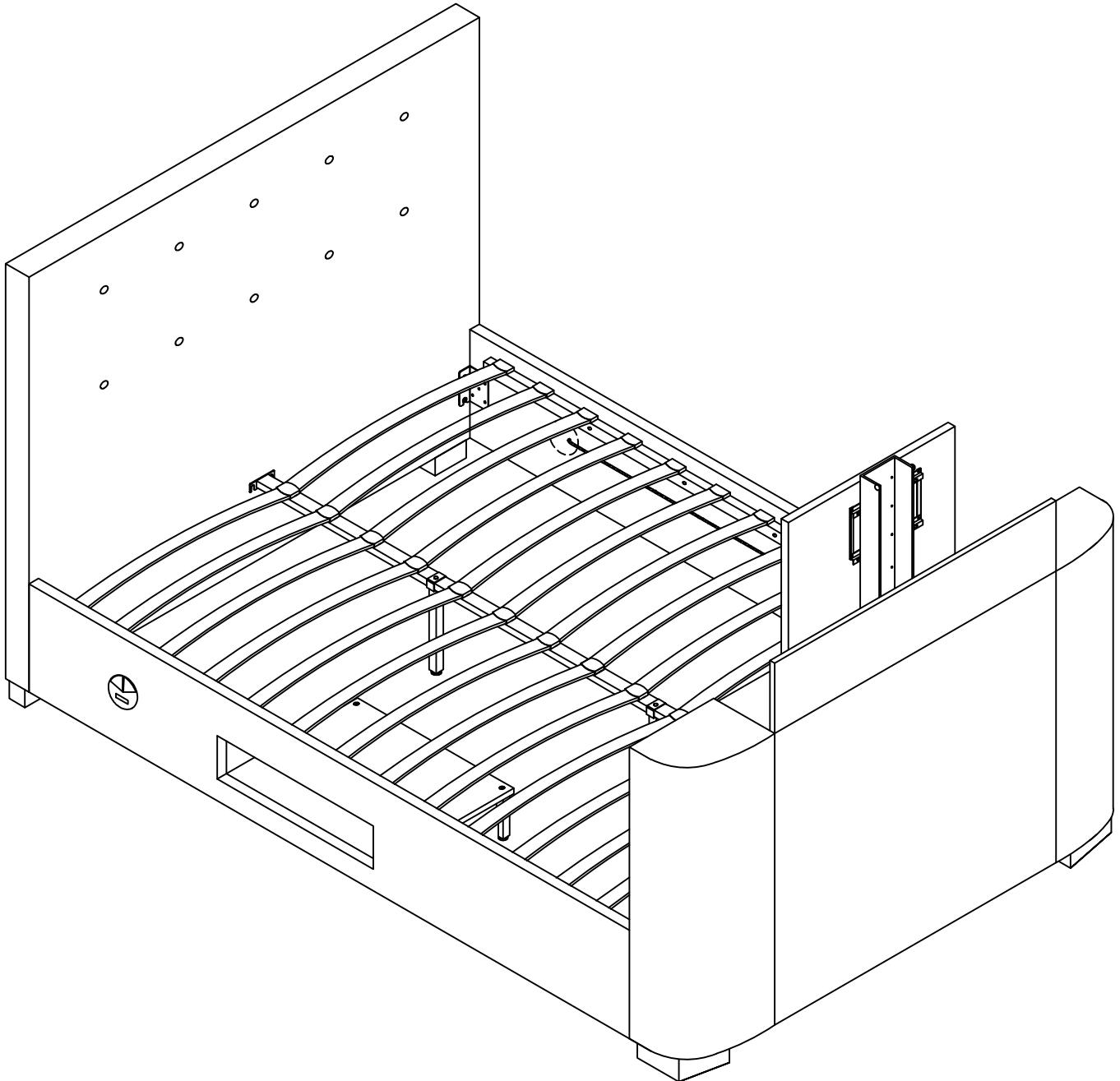
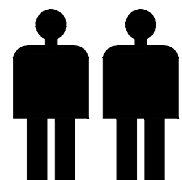


Assembly & Care Instructions

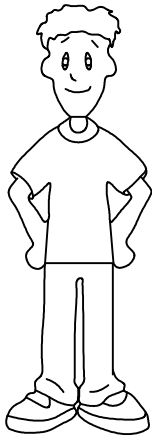
Mayfair Bed Frame (135 cm & 150 cm)



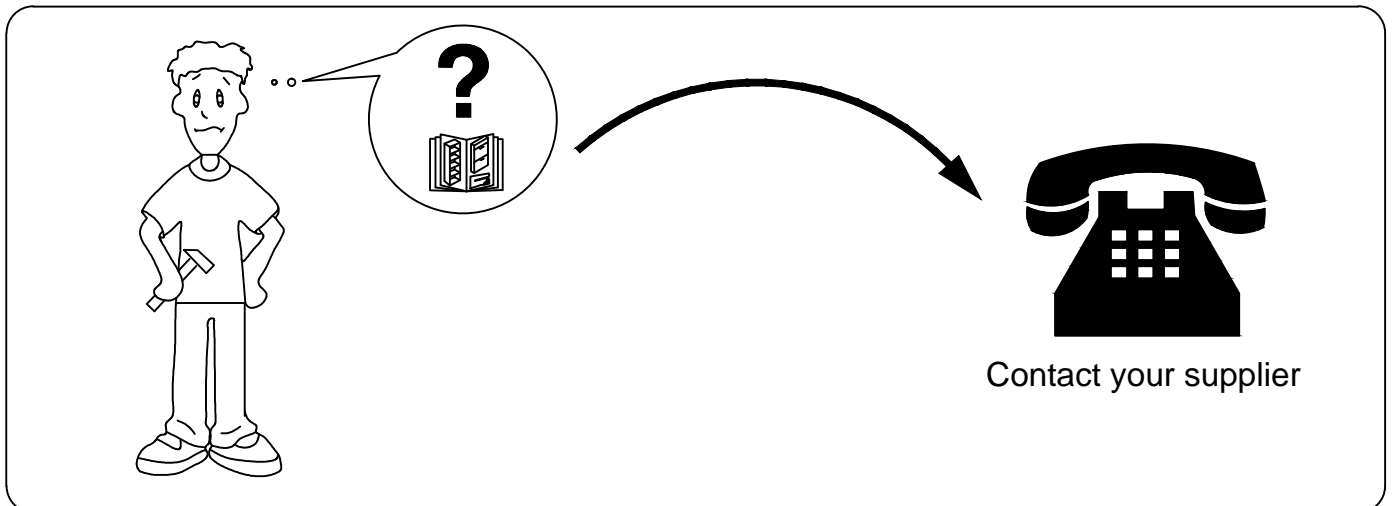
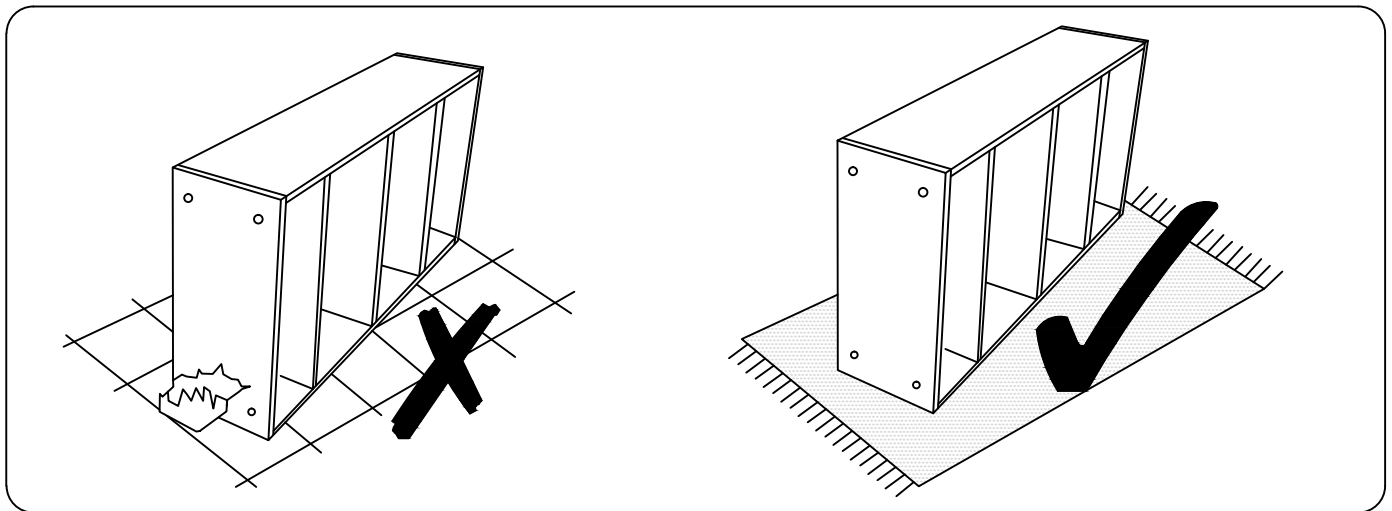
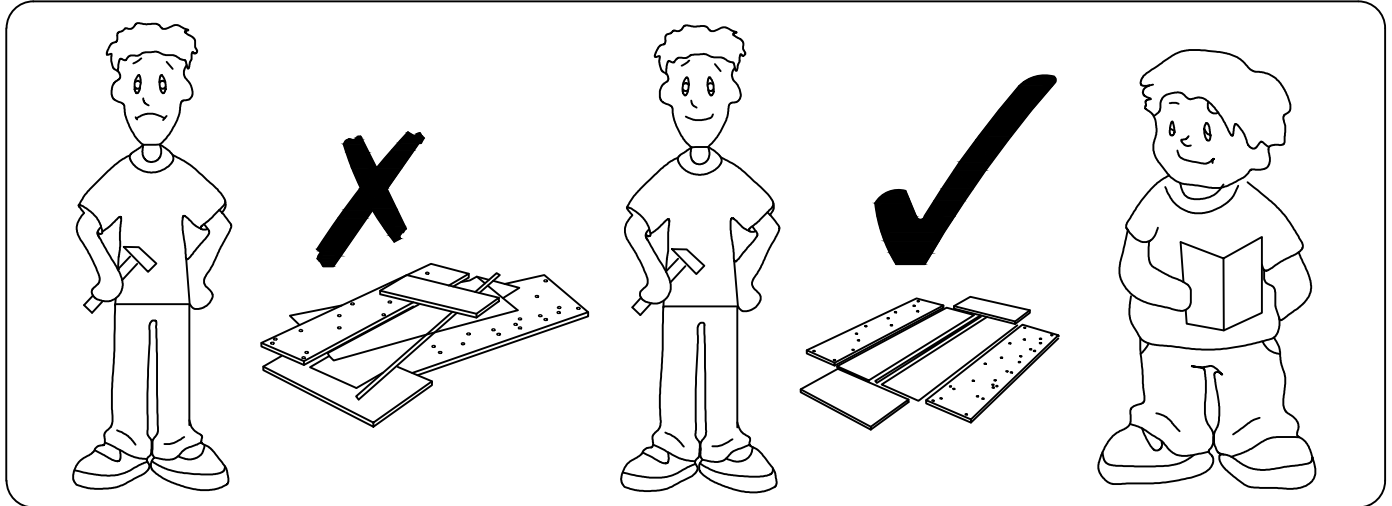
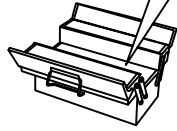
WARNING!!! The two USB fitted to this bed are for charging your phone only.
Do not use multi appliance leads.



TWO PERSONS HANDLING



Only other tool
required is a
screwdriver (Not Included)



Safety Advice

Please read these instructions carefully before you begin, when finished store safely for future reference.

It would be sensible to lay down a sheet or blanket on the floor in the room you are going to assemble the product in, this will help to avoid scratching the product and will help to protect the floor.

IF THIS PRODUCT IS GOING TO BE USED ON A WOOD , LAMINATE OR TILED FLOOR , YOU MUST APPLY "ANTI SLIP PADS" TO ALL LEGS TOUCHING THE FLOOR .

THESE ARE AVAILABLE TO BUY IN MOST HARDWARE SHOPS IN A FELT MATERIAL OR RUBBER AND ARE RELATIVELY INEXPENSIVE.

THE PADS WILL PROTECT YOUR FLOOR FROM ANY MARKING AND ALSO FROM SLIPPING.

FAILURE TO APPLY THE PADS WILL RESULT IN NO RETURNS OF THE PRODUCT AND ANY SPARE'S REQUESTED.

Unpack the product carefully, inspect all parts and check all the parts are in the box remembering some parts are in the back of the headboard, check all hardware and make sure all numbers match the AI.

We strongly recommend that children are kept out of the area where the bed is being assembled as there are several small parts that could present a choking hazard.

Do not use any power tools in the assemble of this bed at ANY time.

When you start to assemble the product, we recommend you put all small parts i.e. nut, bolts etc. into a bowl, this way you're less likely to lose any parts. Do not fully tighten bolts till your product is fully assembled. Do not tighten the bolts fully until the bed has been completely built.

Safety Warning

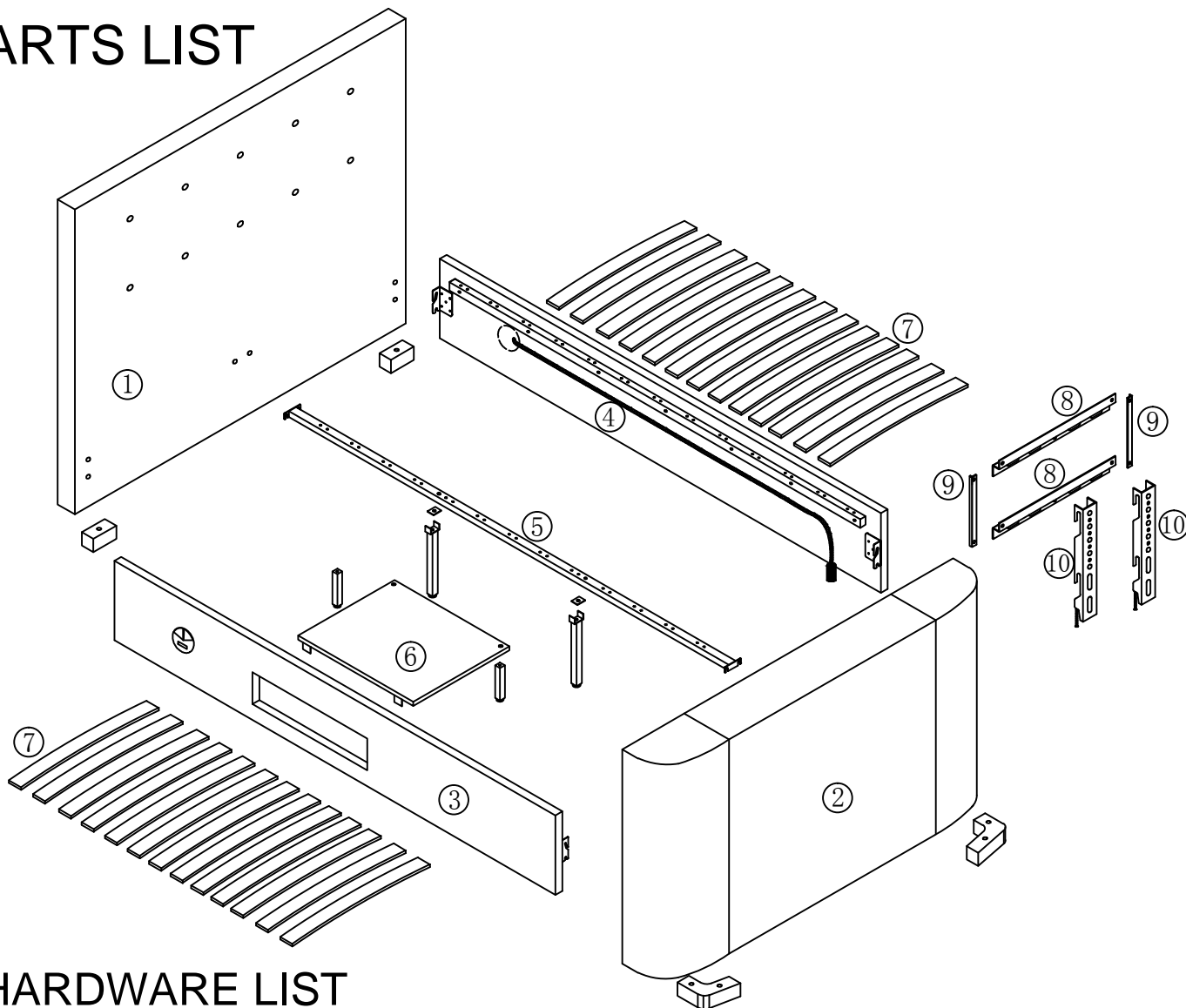
The design and construction of the base is made to only work with a mattress on top, do not sleep on the base without a mattress.

Every 3 months re-tighten the bolts to make sure they have not worked loose.

Make sure all 4 feet are in contact with the floor, if not use the adjustment on the feet to make it happen.

If for any reason you want to move the product to a different location the bed **MUST** be fully dismantled first to prevent damage.

PARTS LIST



HARDWARE LIST






LABEL	PICTURE	DESCRIPTION	QTY	LABEL	PICTURE	DESCRIPTION	QTY
A		Bolt M8 x 20 mm	4	J		Mid support legs (metal)	2
B		Bolt M8 x 25 mm	8	K		CD stand support feet (Metal)	2
C		Bolt M8 x 35 mm	4	L		Cross bolt M6 X 20 mm (TV)	4
D		Bolt M8 x 50 mm	6	M		Cross bolt M8 X 15 mm (TV)	4
E		Washer M8	20	N		Washer M6 (TV)	4
F		Single Plastic Cap	26	O		Washer M8 (TV)	4
G		Double Plastic Cap	13	P		Cross bolt M4 X 15 mm (TV)	4
H		Foot (Headboard)	2	Q		NUT M6 (TV)	4
I		Foot (Footboard)	2				

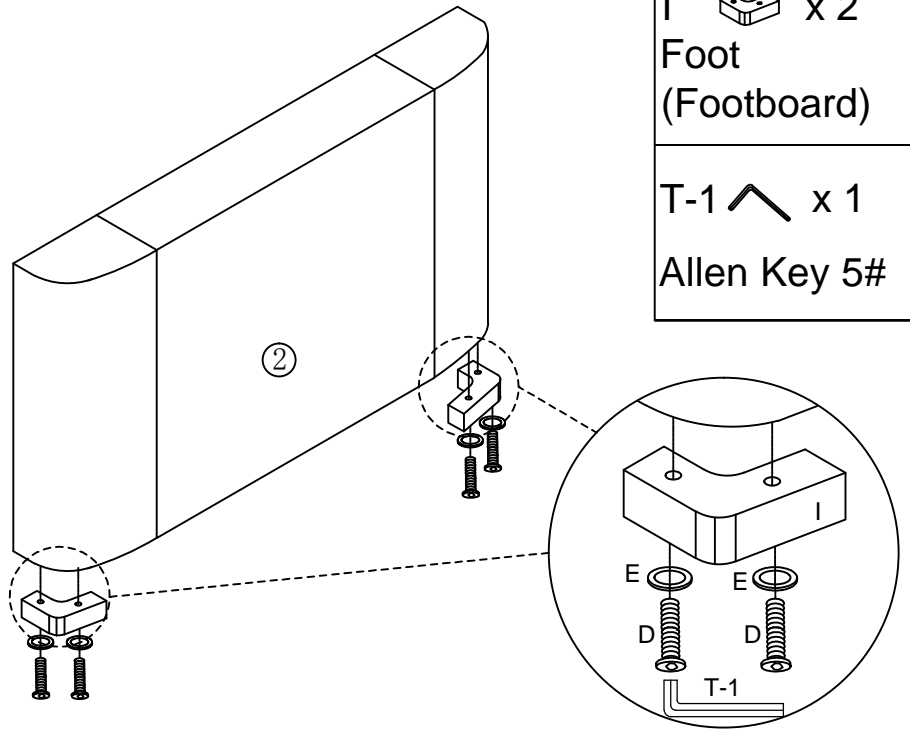
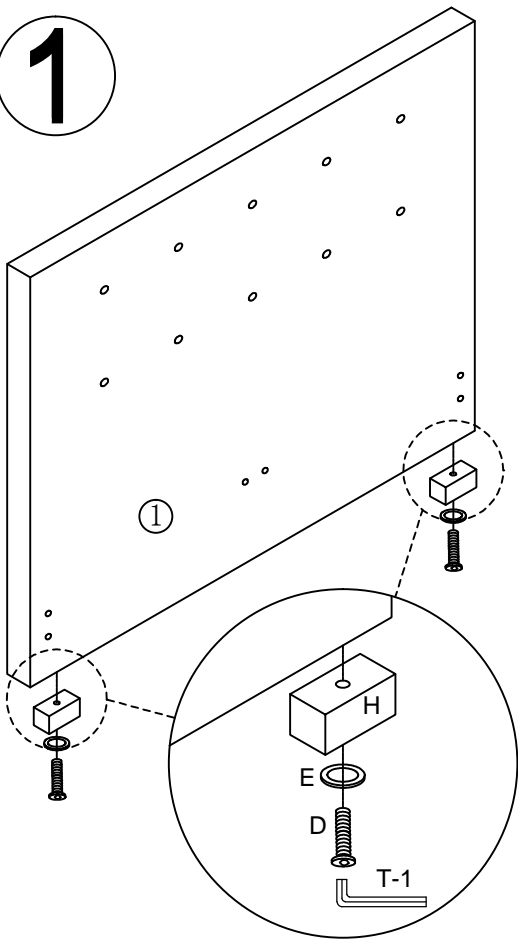
TOOL LIST

LABEL	PICTURE	DESCRIPTION	QTY
T-1		Allen key #5	1
T-2		Spanner	1
T-3		Screwdriver (not Provided)	1




ATTENTION: Item Ax4 & Bx8 & Ex12 for the headboard and footboard have had 12 of each already fitted in to position and 2 of C on the support legs. Please double check before reporting short.

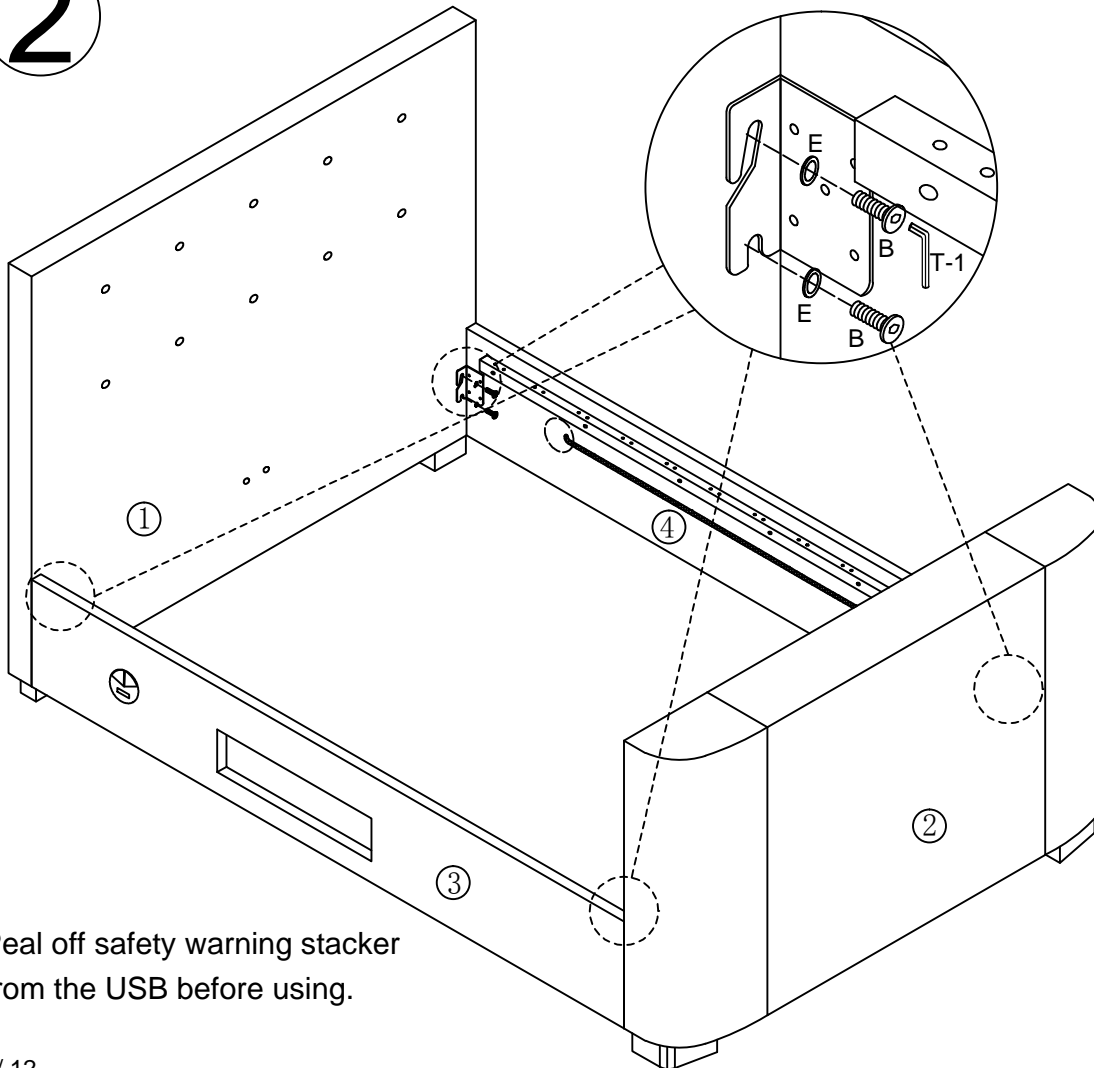
1

D  x 6 Bolt M8 x 50 mm	E  x 6 Washer M8	H  x 2 Foot (Headboard)
		I  x 2 Foot (Footboard)
		T-1  x 1 Allen Key 5#

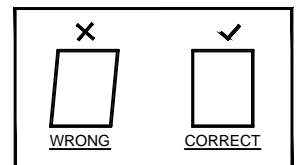


2

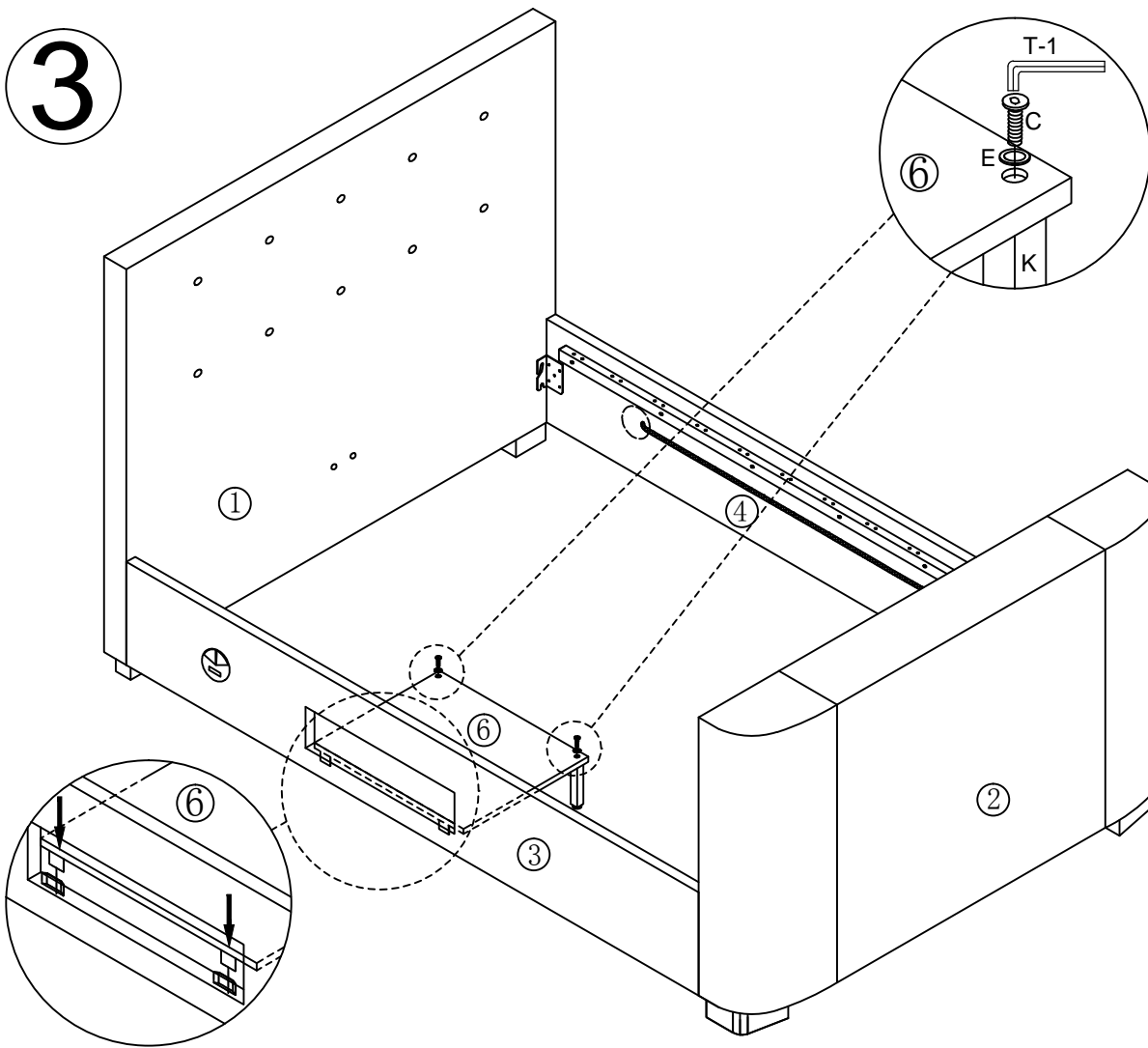
B  x 8 Bolt M8 X 25 mm
E  x 8 Washer M8
T-1  x 1 Allen Key 5#



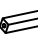



Peel off safety warning sticker from the USB before using.

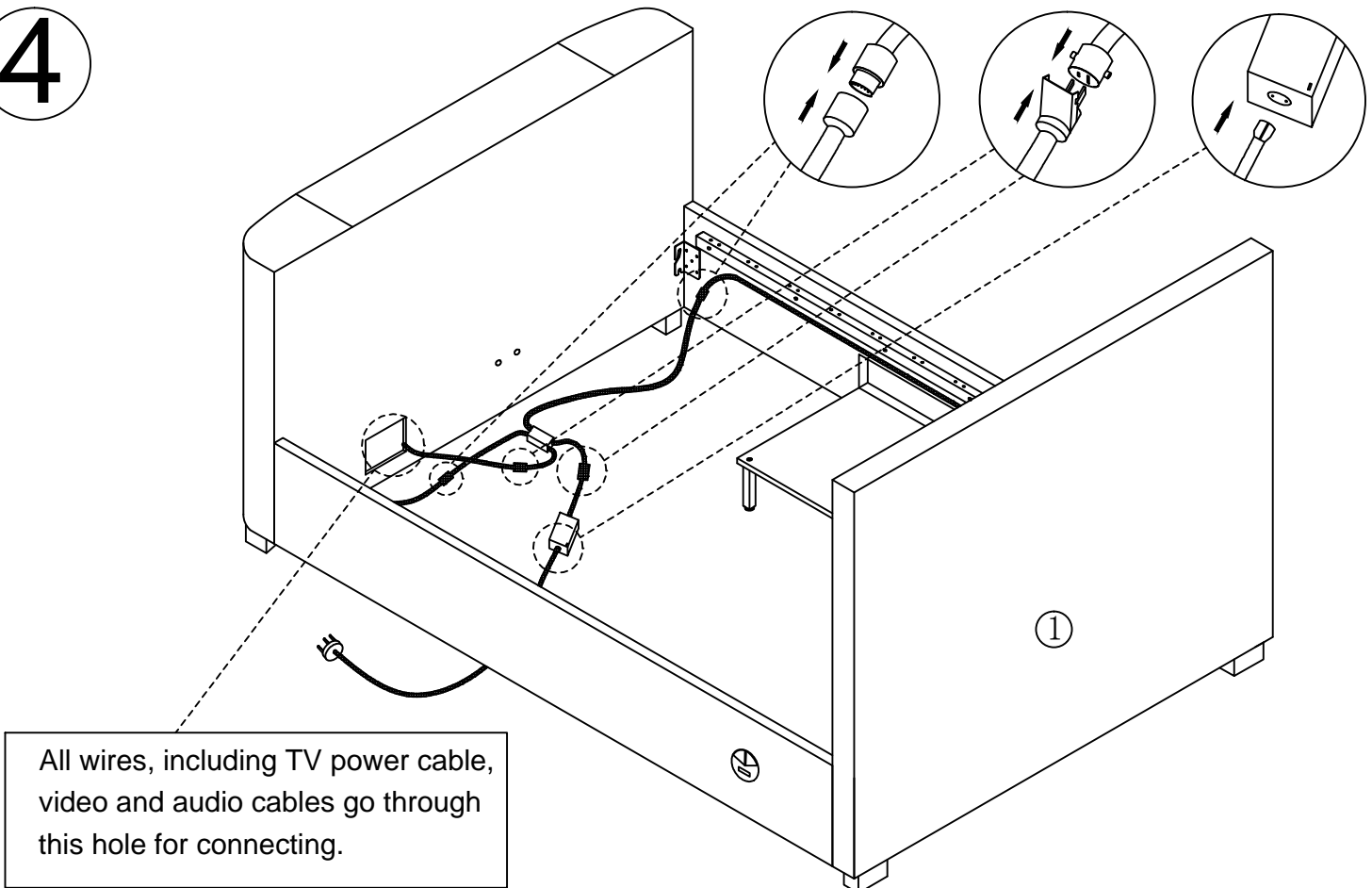


3



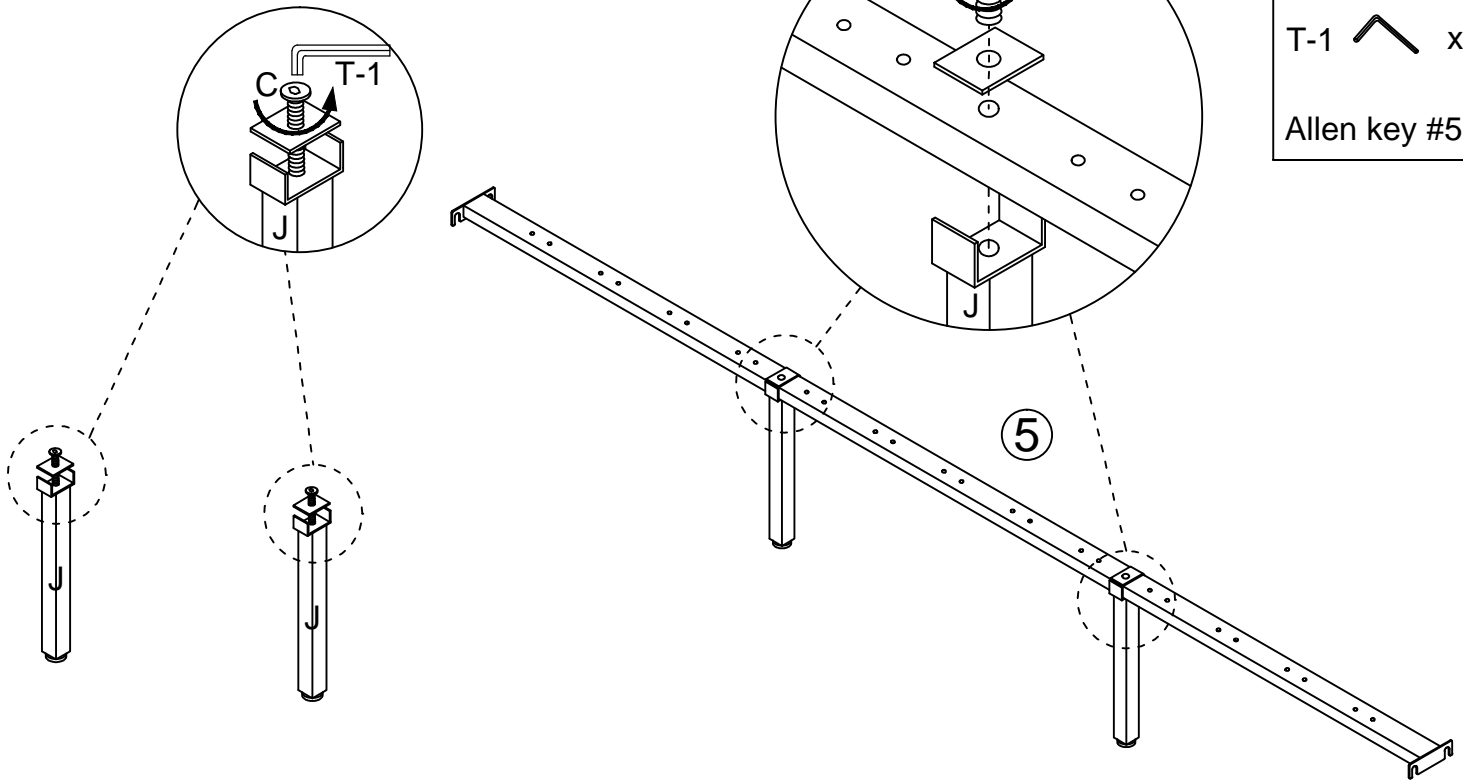
- C  x 2
Bolt
M8 x 35 mm
- E  x 2
Washer M8
- K  x 2
CD stand
support feet
(Metal)
- T-1  x 1
Allen key 5#



4



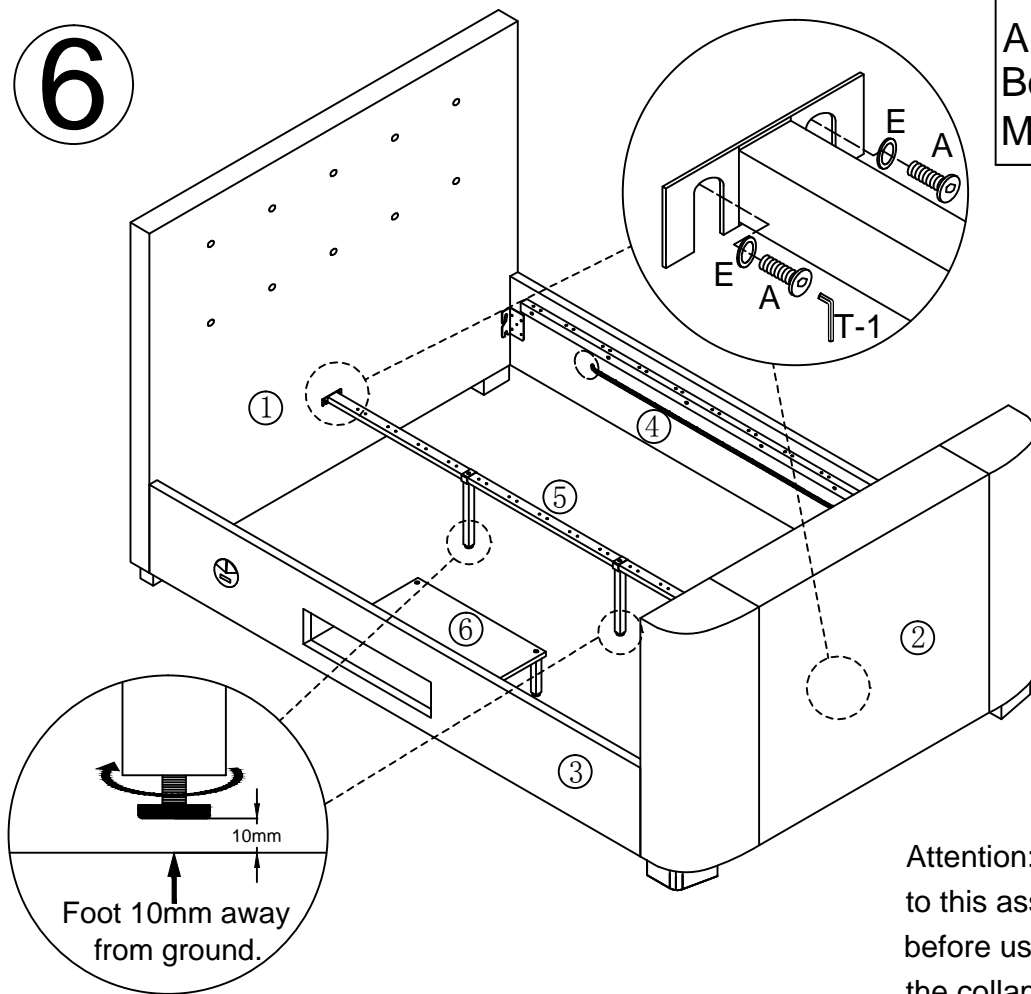
All wires, including TV power cable, video and audio cables go through this hole for connecting.

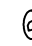


5



J		x 2
Support Leg (Metal)		
T-1		x 1
Allen key #5		

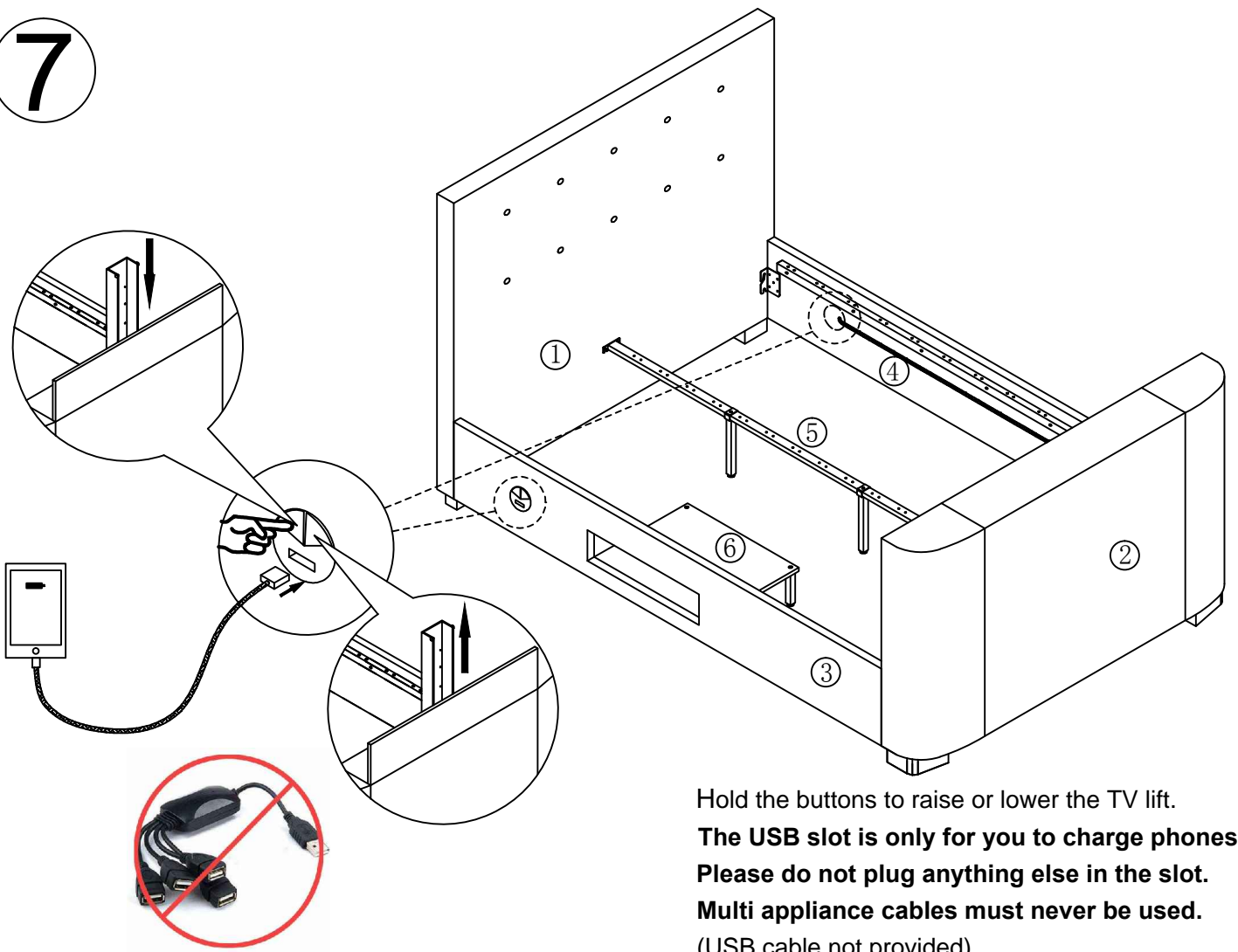
6



A		x 4
Bolt M8 x 20 mm		
E		x 4
Washer M8		
T-1		x 1
Allen key 5#		

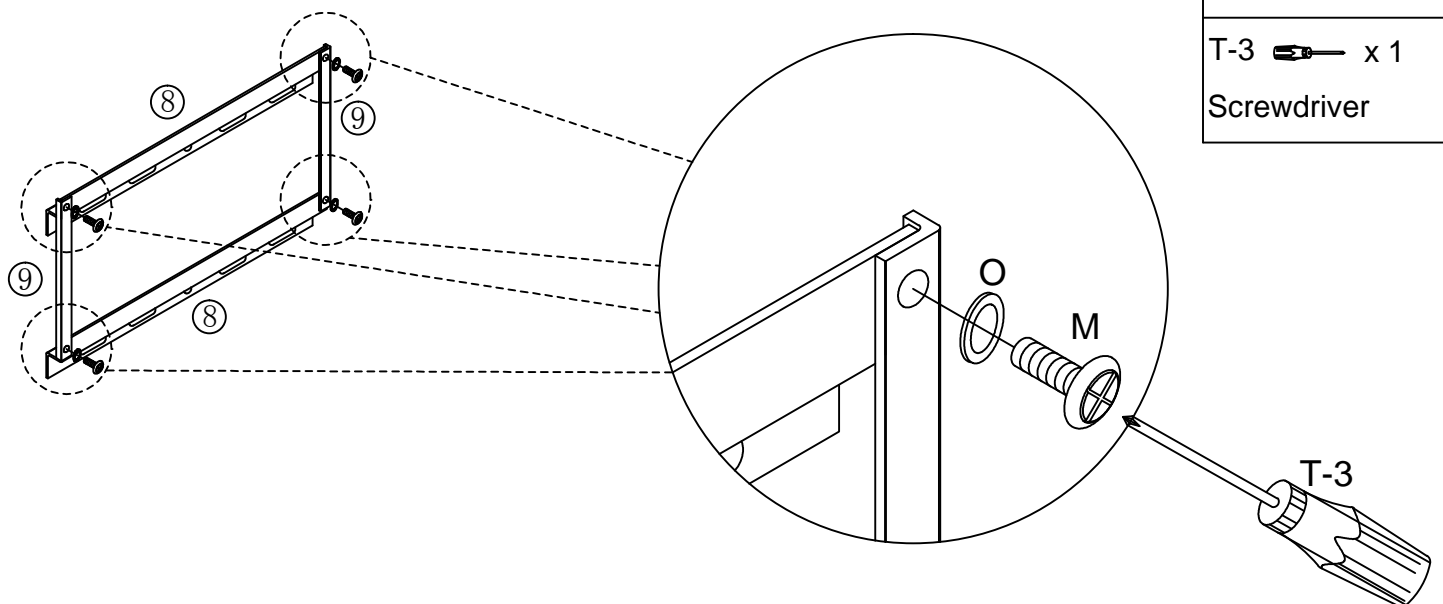
Attention: Please use washers, according to this assembly guide and tighten all bolts before use. Failure to do so may result in the collapse of the bed.



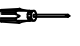
7



Hold the buttons to raise or lower the TV lift.
The USB slot is only for you to charge phones.
Please do not plug anything else in the slot.
Multi appliance cables must never be used.
 (USB cable not provided)

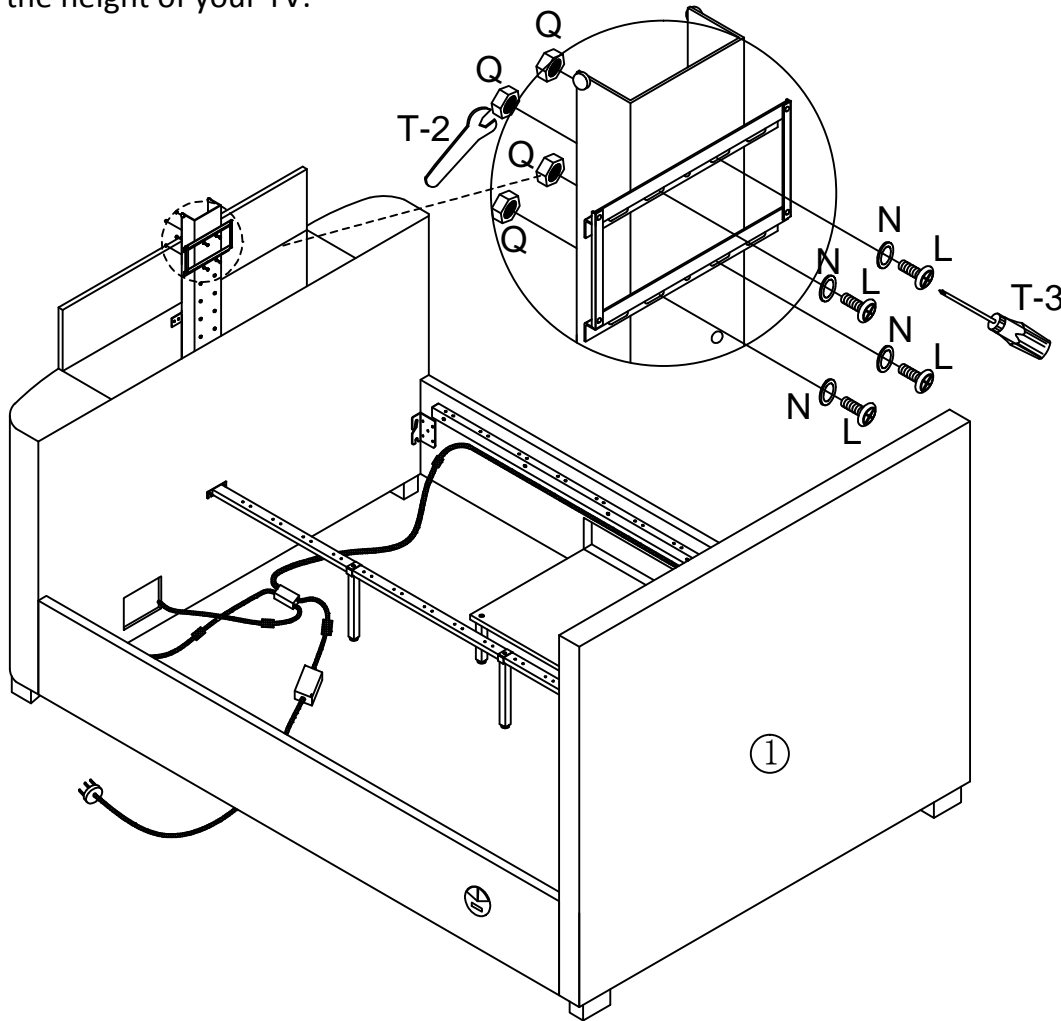
8



M		x 4
Cross bolt M8 X 15 mm (TV)		
O		x 4
Washer M8 (TV)		
T-3		x 1
Screwdriver		

9

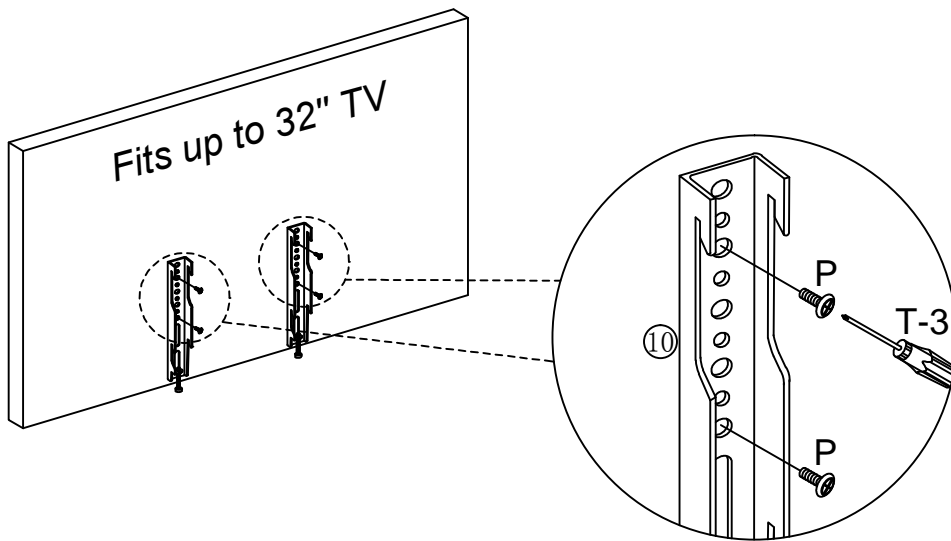
Raise the lift to the top, then fix the provided TV hanger frame according to the height of your TV.



Q		x 4
N		x 4
L		x 4
T-3		x 1
T-2		x 1

Tip: When fitting the TV, ensure that the top of the TV is lower than the small wheels on the TV lift frame and that the bottom of the TV clears the top of the footboard, so as not to obscure the TV display.

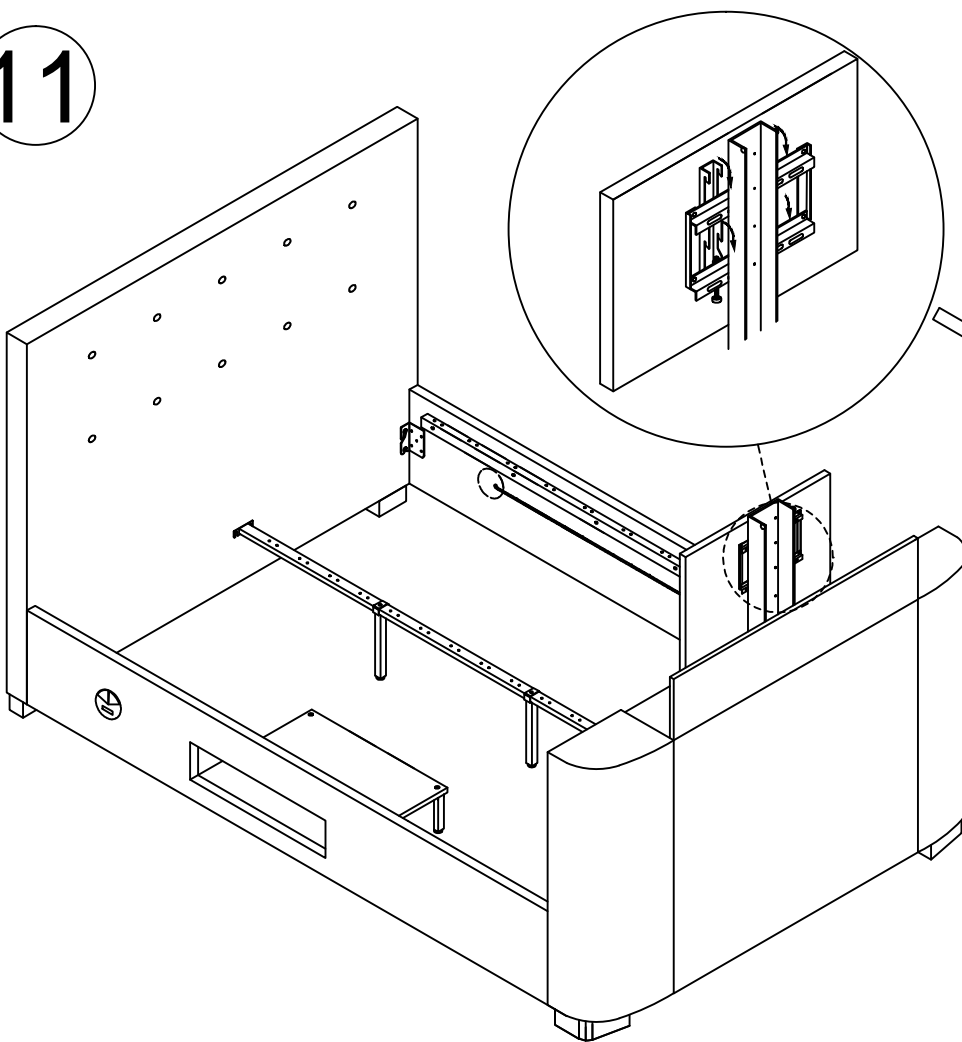
10




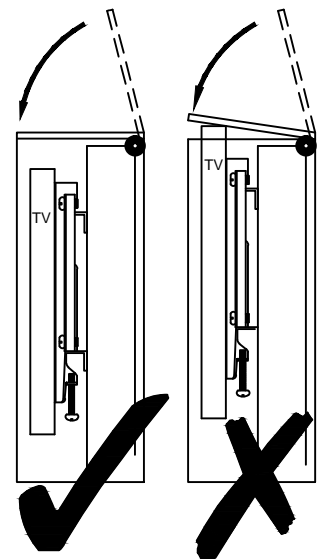
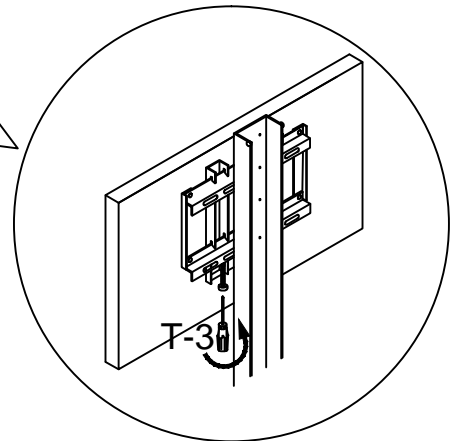
P		x 4
T-3		x 1

Four M4 x 15mm bolts are provided, as they fit more commonly available TVs. In the event that they do not fit, please check to see if some were provided with your TV, otherwise you will need to purchase the correct bolts for your specific TV make and model yourself. Any local DIY store should be able to provide you with these.

11

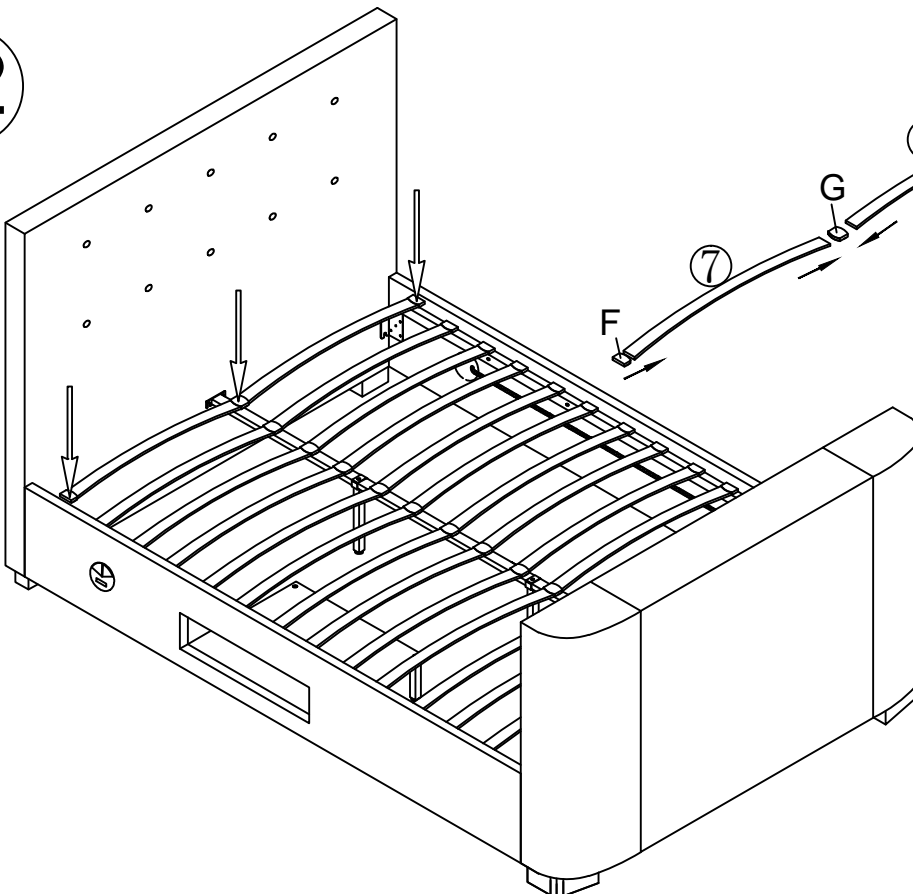




T-3  x 1
Screwdriver



Before use, please make sure TV is central to the TV lift and that the top edge of the TV is lower than that wheels on the TV lift. Remember to tighten all screws before use.

12



F  x 26
Single
Plastic Cap
G  x 13
Double
Plastic Cap

General Care

Vacuum the fabric area on a regular basis to take out any surface dust or grit.

Avoid the use of all household cleaners and abrasives.

Never drag or push the pieces across the floor as this will cause damage to the joints and could result in failure to the product that will invalidate the warranty.

Never rub hard on the fabric to get a stain out. If you can't remove it with a clean damp white cloth, seek for professional advice.

Always lift the product when moving, making sure the main plugs has been removed and be aware of damaging the cables.

Please take care of the use of the USB. Sockets are for PHONE CHARGING ONLY.

Do not place any objects on top of the footboard, as this may affect the performance of the TV lift and cause damage.

When not in use, it is recommended to turn off all power to the bed.

NEVER sleep on the slats without a mattress fitted, they are made to work together.

Caution

PLEASE KEEP THE ORIGINAL PACKING UNTIL YOUR ITEM IS FULLY ASSEMBLED.

IN THE UNLIKELY EVENT YOU NEED TO RETURN YOUR PRODUCT, IT MUST BE RETURNED IN ITS ORIGINAL PACKING.

OTHERWISE NO RETURNS WILL BE ACCEPTED.

Notes

When you go away for long periods, i.e. holidays etc. it's always good practice to pull plugs out of electrical equipment.

We've tried to make this piece of furniture as easy to assemble as possible.

In the unlikely event that you have problems putting it together or have damaged or missing pieces, please contact your supplier.

If for any reason you need to contact your store, please give them Batch No. & Parts No. of the item you have an issue with, this will save time in solving you query.

The Batch No. is a number on a thin strip i.e. AF19-57 and can be found on the inside of the Footboard, or on the wall side of Headboard.

LABEL	PICTURE	DESCRIPTION	QTY	LABEL	PICTURE	DESCRIPTION	QTY	LABEL	PICTURE	DESCRIPTION	QTY
A		Bolt M8 x 20 mm	4	H		Foot (Headboard)	2	O		Washer M8 (TV)	4
B		Bolt M8 x 25 mm	8	I		Foot (Footboard)	2	P		Cross bolt M4 X 15 mm (TV)	4
C		Bolt M8 x 35 mm	4	J		Mid support legs (metal)	2	Q		NUT M6 (TV)	4
D		Bolt M8 x 50 mm	6	K		CD stand support feet (Metal)	2	T-1		Allen key #5	1
E		Washer M8	20	L		Cross bolt M6 X 20 mm (TV)	4	T-2		Spanner	1
F		Single Plastic Cap	26	M		Cross bolt M8 X 15 mm (TV)	4				
G		Double Plastic Cap	13	N		Washer M6 (TV)	4				

**CARELESSNESS
CAUSES FIRE**

BATCH NO. AFxx-xx
FABRIC CONTENT
100% POLYESTER

To comply with The Furniture and Furnishings (Fire)(safety) Regulations:1988
This article does not include a schedule 3 interlinear. All foams, fillings and composites have been tested to ensure compliance with the relevant ignitability test. All covers and fillings have been tested to ensure that they are cigarette resistant. All covers have been tested to ensure that they are match resistant.
Further details are available from your retailer.
Made in China

