

ASSEMBLY INSTRUCTION

BS EN747-1:2012+A1:2015 SAFETY WARNING AND GENERAL NOTES: IMPORTANT – READ CAREFULLY – RETAIN FOR FUTURE REFERENCE

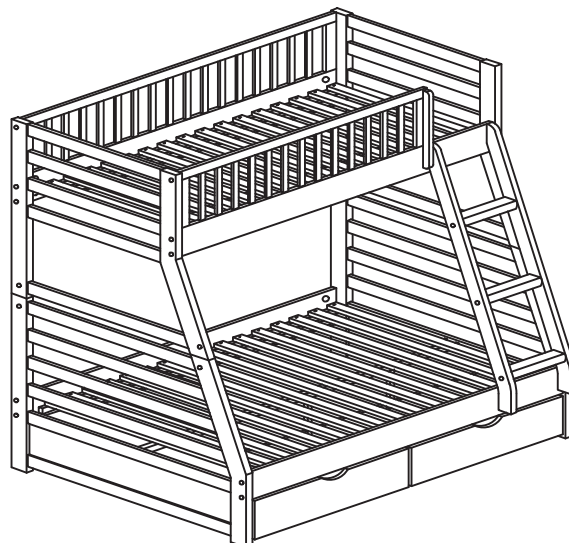
PLEASE READ this sheet prior to assembly to familiarise yourself with the various stages of construction. Carefully open the pack supplied and check the contents against the parts and fitting check list. Do not destroy any of the packing until you are certain that you have all the necessary parts for assembly. CAUTION : There are small components used in the construction of this unit. These loose items should be kept away from young children whilst assembling your unit to avoid the danger of choking hazards.

INFORMATION :

- Due to the size of this product we recommend that it is assembled in the room intended for use.
- This product should only be used on firm, level ground.
- DO NOT use power tools to construct this product.
- DO NOT over tighten the screw or bolts.
- DO NOT tighten screws until the product is fully assembled.
- DO NOT use solvent based cleaners or detergents as this can bleach and caused damages.
- Never use scourer, abrasives or chemical cleaners, only clean with sponge wipe and warm soapy water.

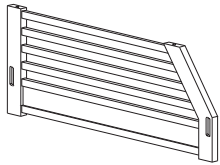
WARNING :

- High beds and the upper bed of the bunk beds are not suitable for children under six years due to the risk of injury from falls;
- Bunk beds and high beds can be present a serious risk of injury from strangulation if not used correctly. Never attach or hang items to any part of the bunk bed that are not designed to be used with the bed, for example, but not limited to ropes, strings, cords, hooks, belts and bags;
- Children can be trapped between the bed and wall, a roof pitch, the ceiling, adjoining pieces of furniture (e.g. cupboards) and the like. To avoid risk of serious injury the distance between the top safety barrier and the adjoining structure shall not exceed 75mm or shall be more than 230mm;
- Do not use the bunk bed/high bed if any structural part are missing, damaged or worn;
- Always follow the manufacturer's instruction
- Ensure thickness of mattress below the mark that had been made at the entrance of the upper bunk.
- Ensure the ventilation of the room is necessary in order to keep the humidity low and to prevent, mould in and around the bed.
- Ensure the support legs remain in contact with the ground at all times, and always use the ladder for entering and leaving the high bed and upper bunk.
- Ensure all screws or bolts are tightened and inspect regularly.



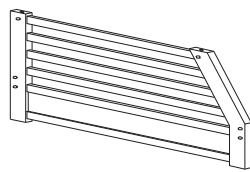
VISUAL IDENTIFICATION

Item Description Qty



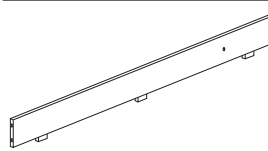
A Lower Bunk Head Board Right 1pc

Item Description Qty



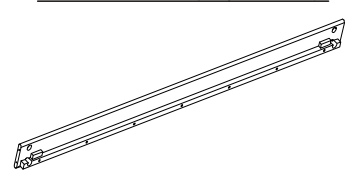
B Lower Bunk Head Board Left 1pc

Item Description Qty

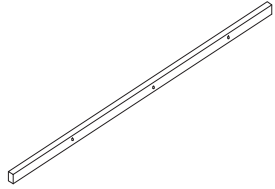


C Lower Bunk Siderail (Outer) 1pc

Item Description Qty



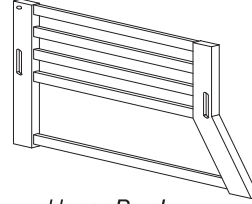
D Lower Bunk Siderail (Inner) 1pc



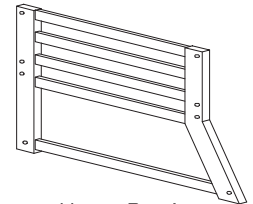
E Slat Support Rail 1pc



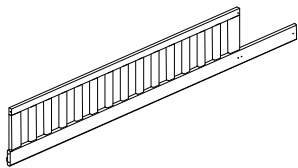
F Support Leg 3pcs



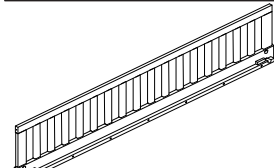
G Upper Bunk Head Board Right 1pc



H Upper Bunk Head Board Left 1pc



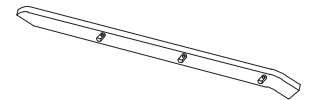
I Upper Bunk Siderail (Outer) 1pc



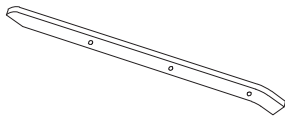
J Upper Bunk Siderail (Inner) 1pc



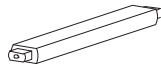
K Barrier Support 1pc



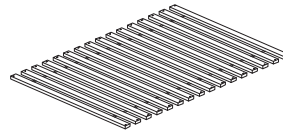
L Ladder Post Right 1pc



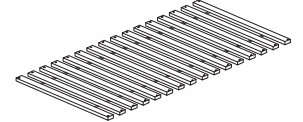
M Ladder Post Left 1pc



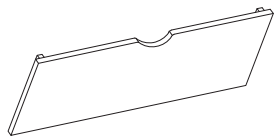
N Ladder Step 3pcs



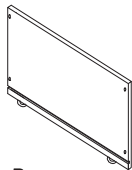
O Lower Bunk Slats Roll 1set



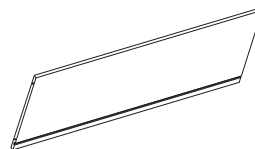
P Upper Bunk Slats Roll 1set



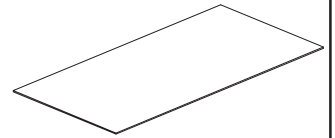
R Drawer Top 2pcs



S Drawer Side Board 4pcs



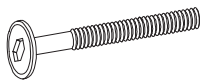
T Drawer Back Side 2pcs



U Drawer Bottom Board 2pcs

FITTINGS CHECKLISTS

Code Description Qty



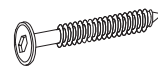
1 Bolt M6x80 16pcs

Code Description Qty



2 Half Moon Washer 16pcs

Code Description Qty



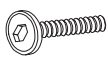
3 Bolt Ø13x70 3pcs

Code Description Qty



4 Bolt Ø13x50 6pcs

Code Description Qty



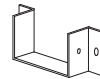
5 Bolt M6x25 8pcs

Code Description Qty



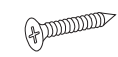
6 Nuts Ø10*80*M6 4pcs

Code Description Qty



7 Centre Rail Support 2pcs

Code Description Qty



8 Screw 4x30 80pcs

Code Description Qty



9 Screw 4x15 6pcs

Code Description Qty



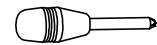
10 Allen Key 1pc

Code Description Qty



11 Bolt M6x35 6pcs

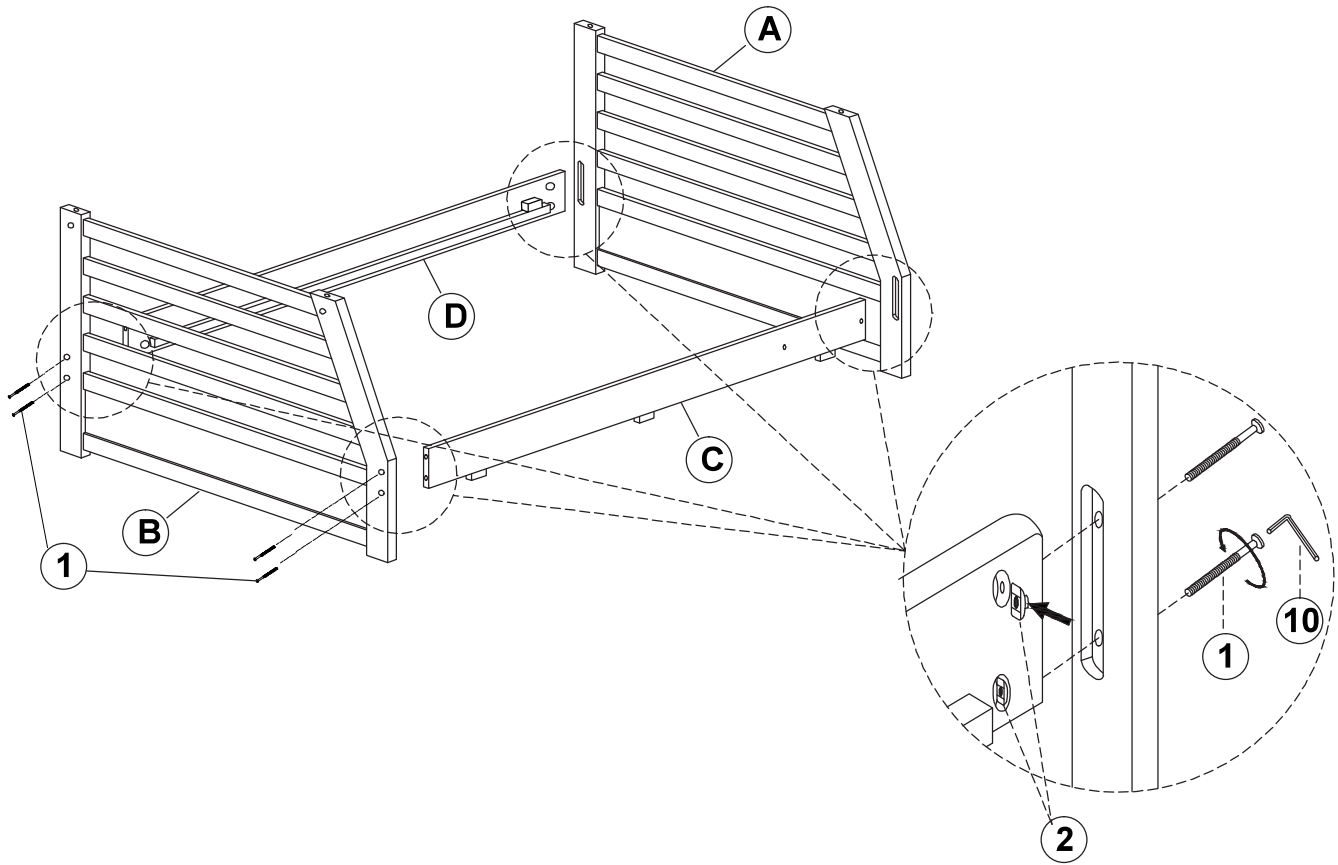
Code Description Qty



(Screw driver not provided)

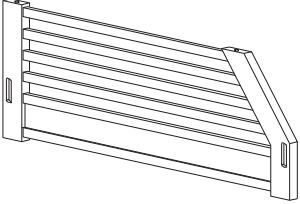
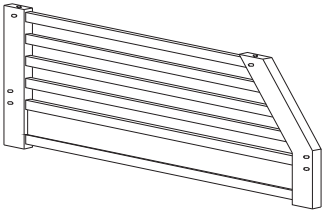
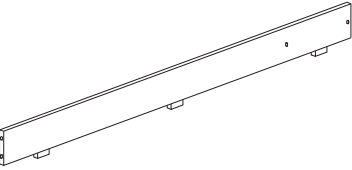
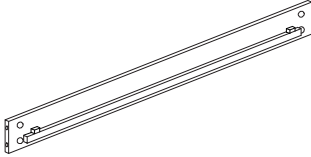
TOOLS REQUIRED

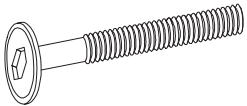
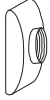

Step 1.



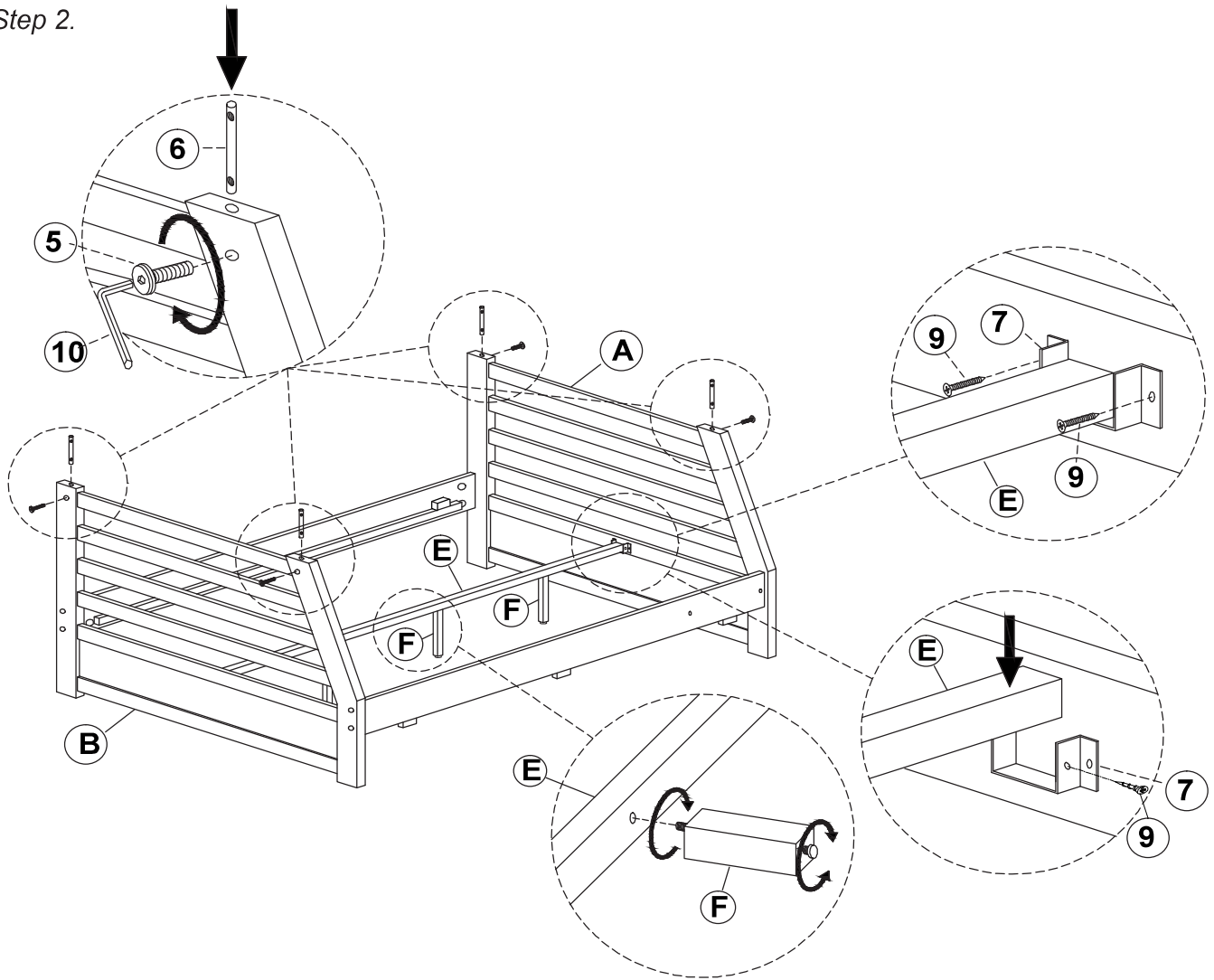
Part

Hardware

<i>Item</i>	<i>Description</i>	<i>Qty</i>	<i>Item</i>	<i>Description</i>	<i>Qty</i>
	<i>Lower Bunk A Head Board Right</i>	<i>1pc</i>		<i>Lower Bunk B Head Board Left</i>	<i>1pc</i>
	<i>Lower Bunk C Siderail (Outer)</i>	<i>1pc</i>		<i>Lower Bunk D Siderail (Inner)</i>	<i>1pc</i>

<i>Code</i>	<i>Description</i>	<i>Qty</i>
	<i>Bolt M6x80</i>	<i>8pcs</i>
	<i>Half Moon Washer</i>	<i>8pcs</i>
	<i>Allen Key</i>	<i>1pc</i>

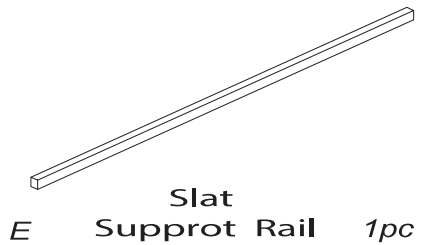
Step 2.



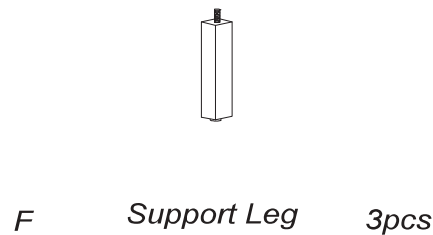
Note: This Product has a adjustable feet , these can be adjusted to level the product if required.

Part

Item Description Qty



Item Description Qty

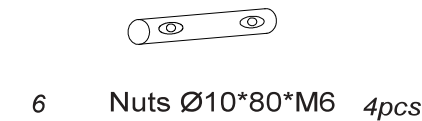


Hardware

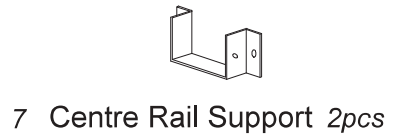
Code Description Qty



Code Description Qty

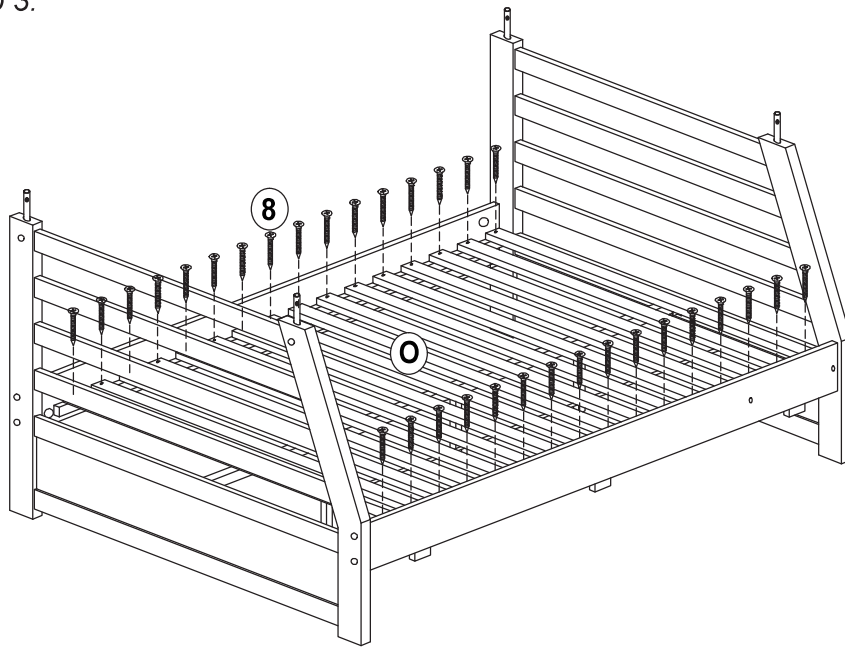


Code Description Qty



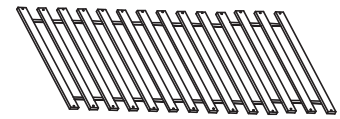
TOOLS REQUIRED

Step 3.



Part

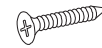
Item Description Qty



O Lower Bunk Slats Roll 1 set

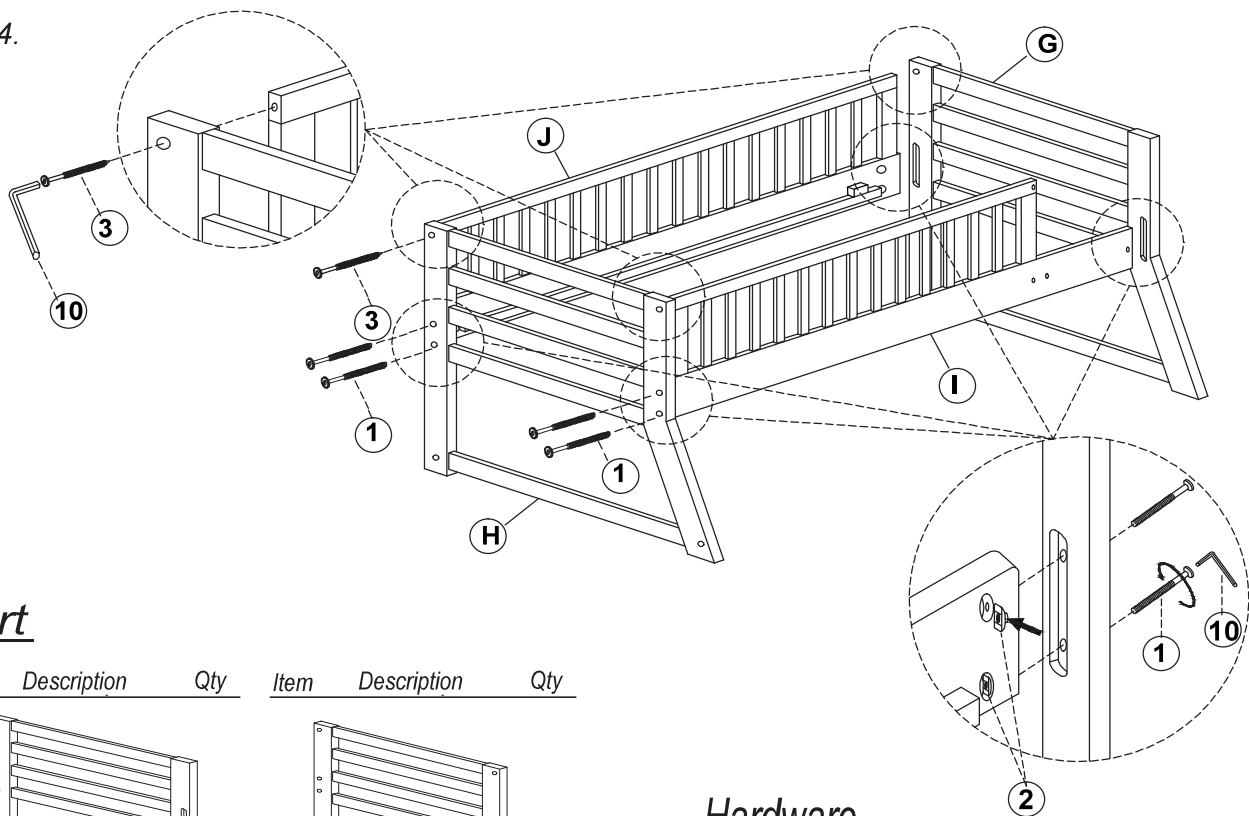
Hardware

Code Description Qty



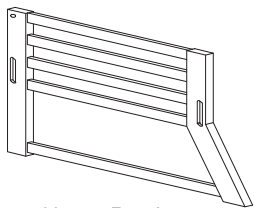
8 Screw 4x30 28 pcs

Step 4.

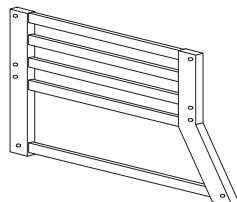


Part

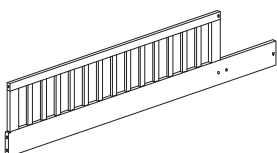
Item Description Qty Item Description Qty



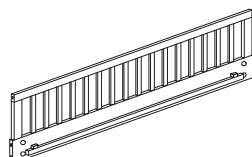
G Upper Bunk Head Board Right 1pc



H Upper Bunk Head Board Left 1pc



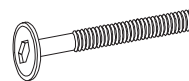
I Upper Bunk Siderail (Outer) 1pc



J Upper Bunk Siderail (Inner) 1pc

Hardware

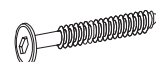
Code Description Qty Code Description Qty



1 Bolt M6x80 8pcs



2 Half Moon Washer 8pcs

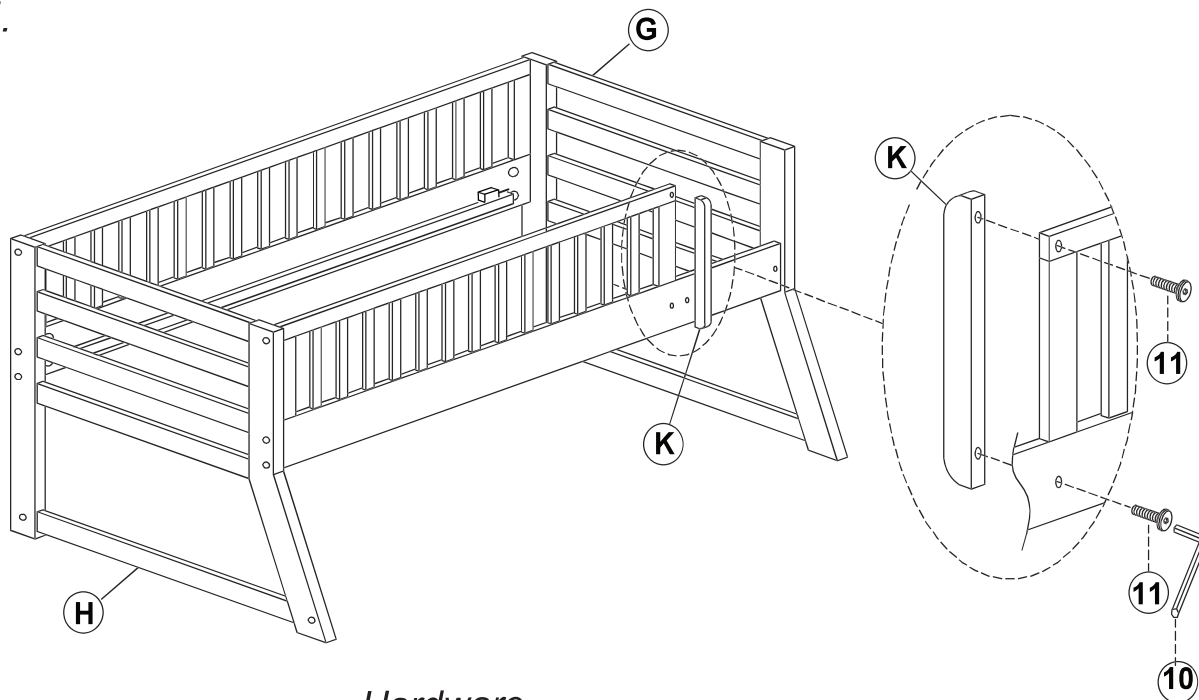


3 Bolt Ø13x70 3pcs



10 Allen Key 1pc

Step 5.



Part

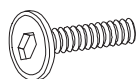
Item Description Qty



K Barrier Support 1pc

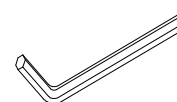
Hardware

Code Description Qty



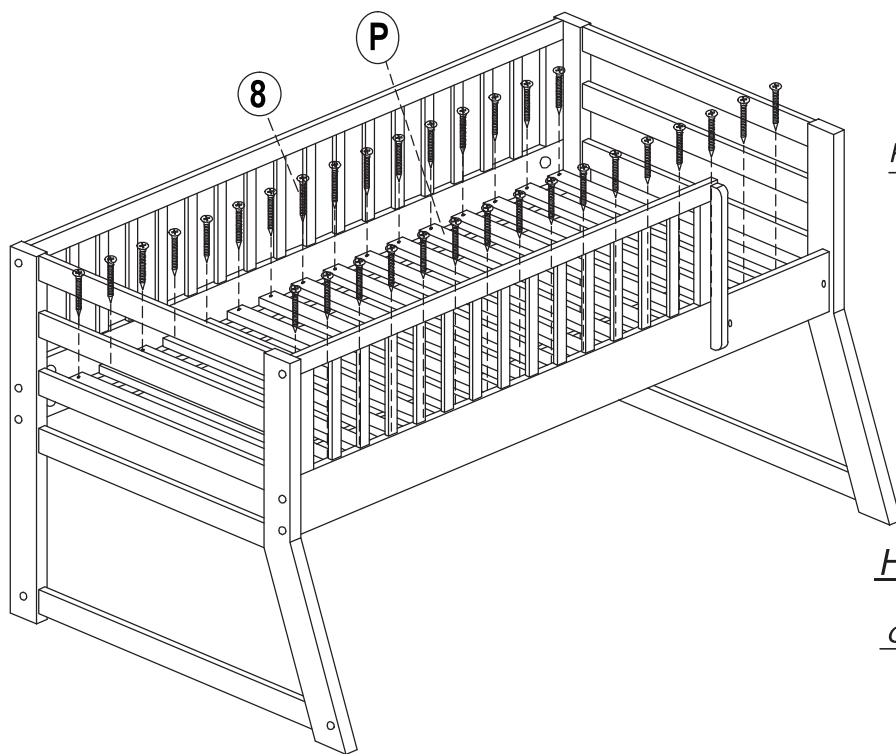
11 Bolt M6x35 2pcs

Code Description Qty



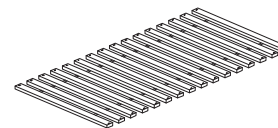
10 Allen Key 1pc

Step 6.



Part

Item Description Qty



P Upper Bunk Slats Roll 1 set

Hardware

Code Description Qty

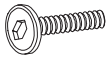


8 Screw 4x30 28 pcs

Step 7.

Hardware

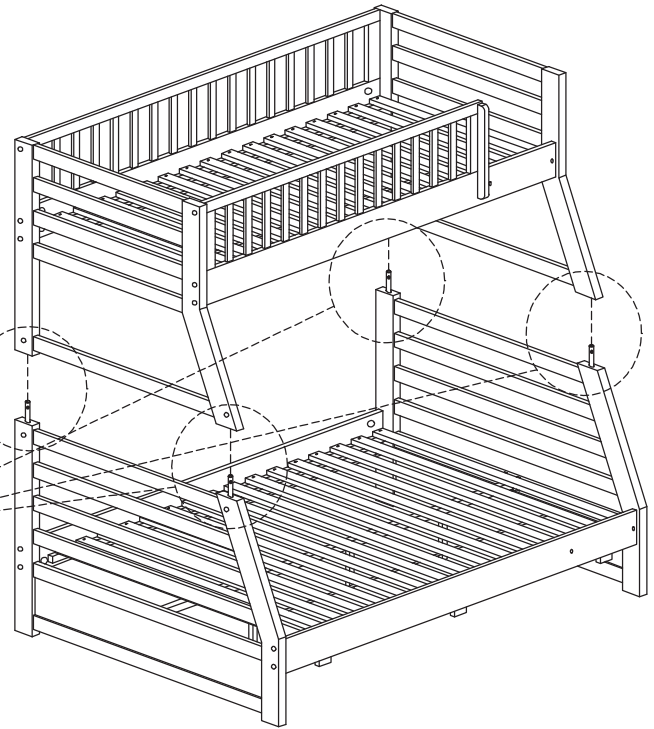
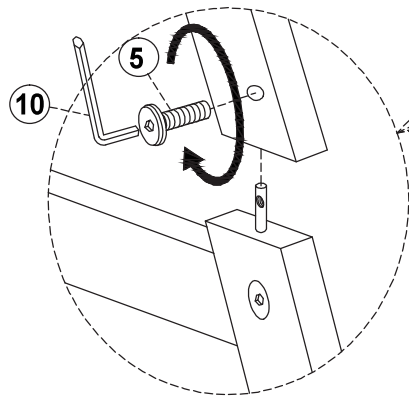
Code	Description	Qty
------	-------------	-----



5	Bolt M6x25	8pcs
---	------------	------



10	Allen Key	1pc
----	-----------	-----



Step 8.

Hardware

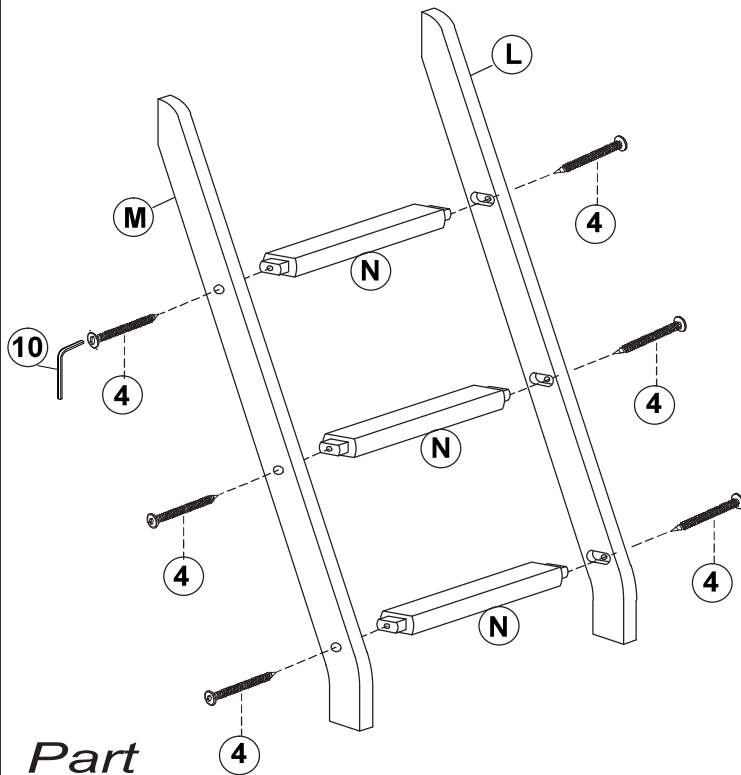
Code	Description	Qty
------	-------------	-----



4	Bolt Ø13x50	6pcs
---	-------------	------

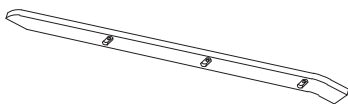


10	Allen Key	1pc
----	-----------	-----



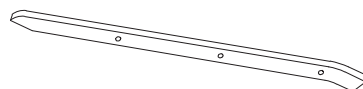
Part

Item	Description	Qty
------	-------------	-----



L	Ladder Post Right	1pc
---	-------------------	-----

Item	Description	Qty
------	-------------	-----



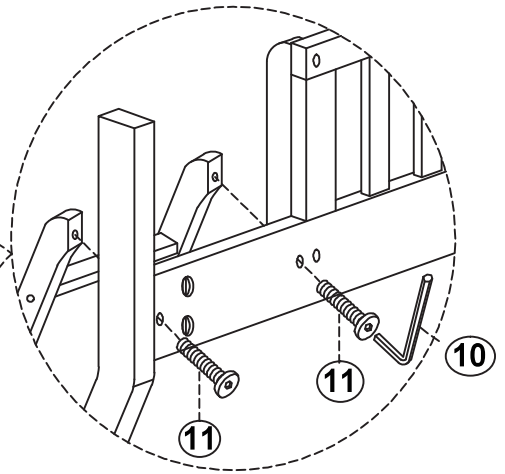
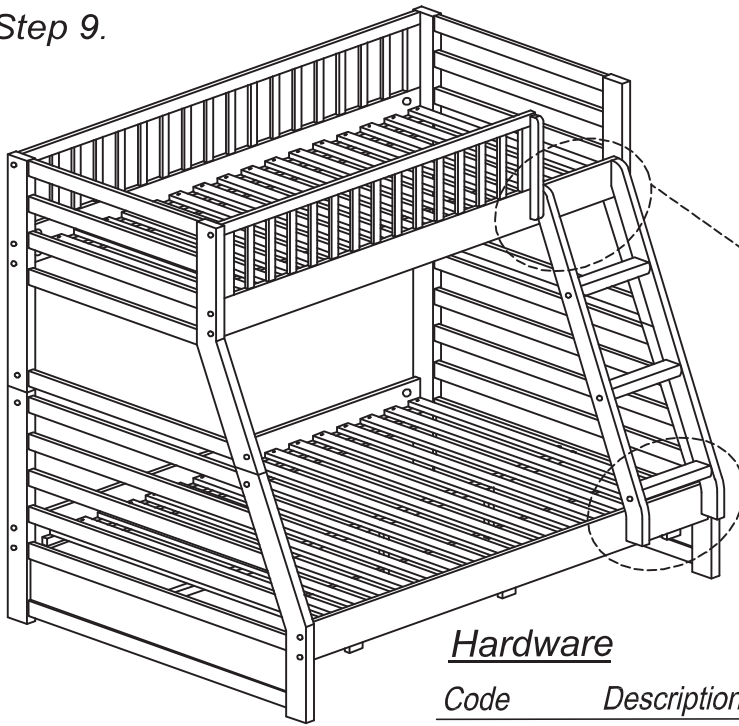
M	Ladder Post Left	1pc
---	------------------	-----

Item	Description	Qty
------	-------------	-----



N	Ladder Step	3pcs
---	-------------	------

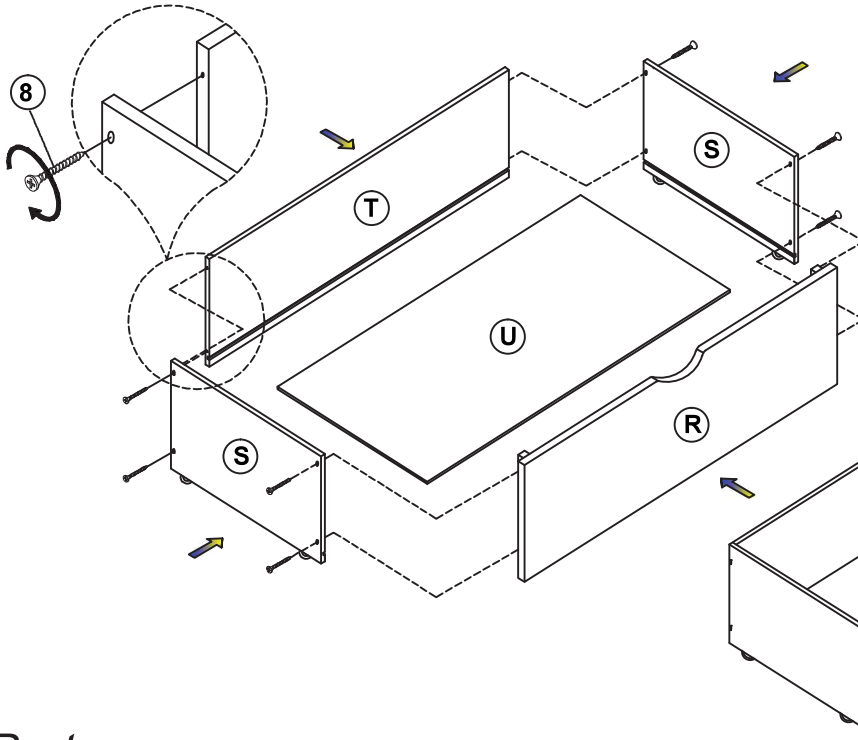
Step 9.



Hardware

Code	Description	Qty	Code	Description	Qty
11	Bolt M6x35	4pcs	10	Allen Key	1pc

Step 9.



Hardware

Code	Description	Qty
8	Screw 4x30	16 pcs

Part

Item	Description	Qty	Item	Description	Qty	Item	Description	Qty	Item	Description	Qty
R	Drawer Top	2pcs	S	Drawer Side Board	4pcs	T	Drawer Back Side	2pcs	U	Drawer Bottom Board	2pcs

COMPLETE

