



Birlea

Suppliers of inspiration

Assembly Instructions

Thank you for
purchasing a
Birlea product.

For a chance to win a *Love 2 Shop* voucher simply post a picture of your new product on your preferred social channels tagging Birlea Furniture and using the hashtag **#ShareYourStyle** and **#Birlea**. One winner will be selected at random each month.

To view our full terms and conditions please visit our website. www.birlea.com

Are you happy with your purchase?

Yes: That's great, we would love to hear more from you. Please leave us a review on our social media channels or Trustpilot. Your feedback will be greatly appreciated.

No: If for any reason there is something missing, indifferent or incorrect with your order, please contact the retailer you purchased the item from. We will work with the retailer to resolve your issue as quickly as possible.



www.birlea.com

ASSEMBLY INSTRUCTIONS

TEEPEE BED

IMPORTANT: READ THESE INSTRUCTIONS CAREFULLY BEFORE ASSEMBLING OR USING THIS PRODUCT.

PLEASE KEEP THESE INSTRUCTIONS FOR FUTURE REFERENCE.

HEALTH & SAFETY:

DO NOT jump on this bed frame.

DO NOT use this bed frame if any parts are missing, damaged or worn.

DO NOT use this bed frame unless all fixings are secured.

Please keep small parts out of reach of children.

Always use on a level, even surface.

WARNING: If this bed is placed on a non-carpeted floor you must place some protection under all legs to stop the bed frame from moving. If this is not adhered to there is no guarantee if the bed frame collapses.

CARE & MAINTENANCE:

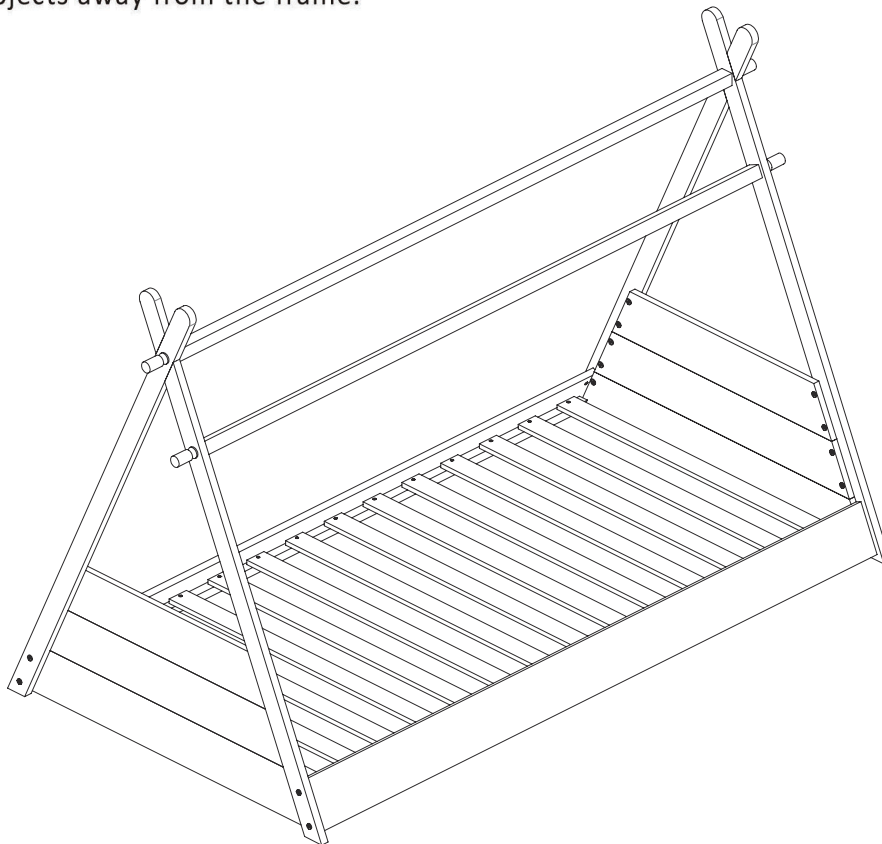
Assemble in the room of use.

Periodically check all screws & fixings to ensure they are secure.

DO NOT push the bed frame as this will damage the legs.

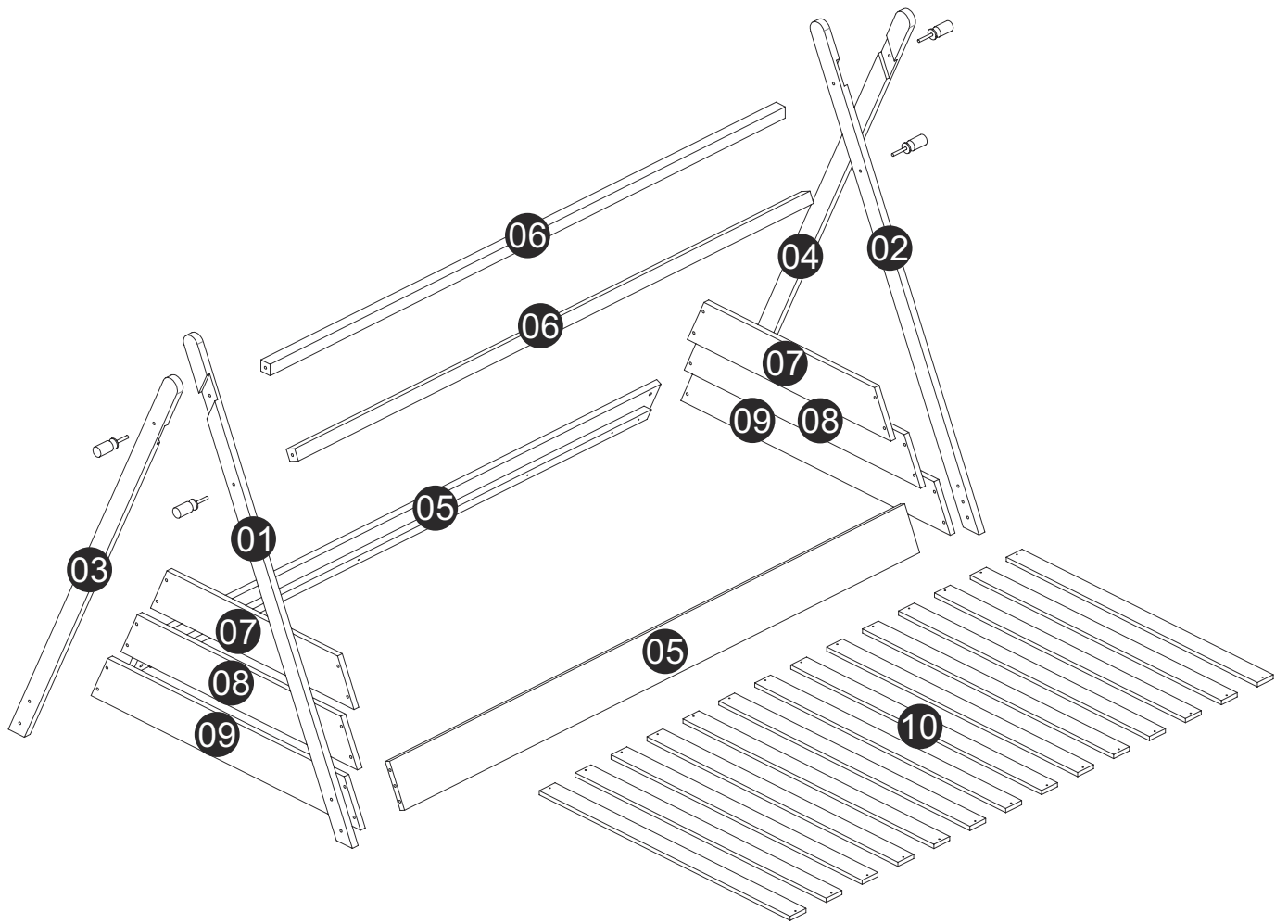
Always lift the bed with two people to reposition.

Keep any sharp objects away from the frame.



Birlea




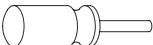



Suppliers of inspiration



PARTS LIST

01	Left front corner panel	1	06	Cross bars	2
02	right front corner panel	1	07	Top side panel	2
03	left rear corner panel	1	08	Middle side panel	2
04	right rear corner panel	1	09	Bottom side panel	2
05	Side rail	2	10	Slats	14

HARDWARE

A	 Ø8x30mm	4	E	 Ø4x30mm	28
B	 M6x70mm	8	F		4
C	 M6x30mm	24	G		1
D		8			

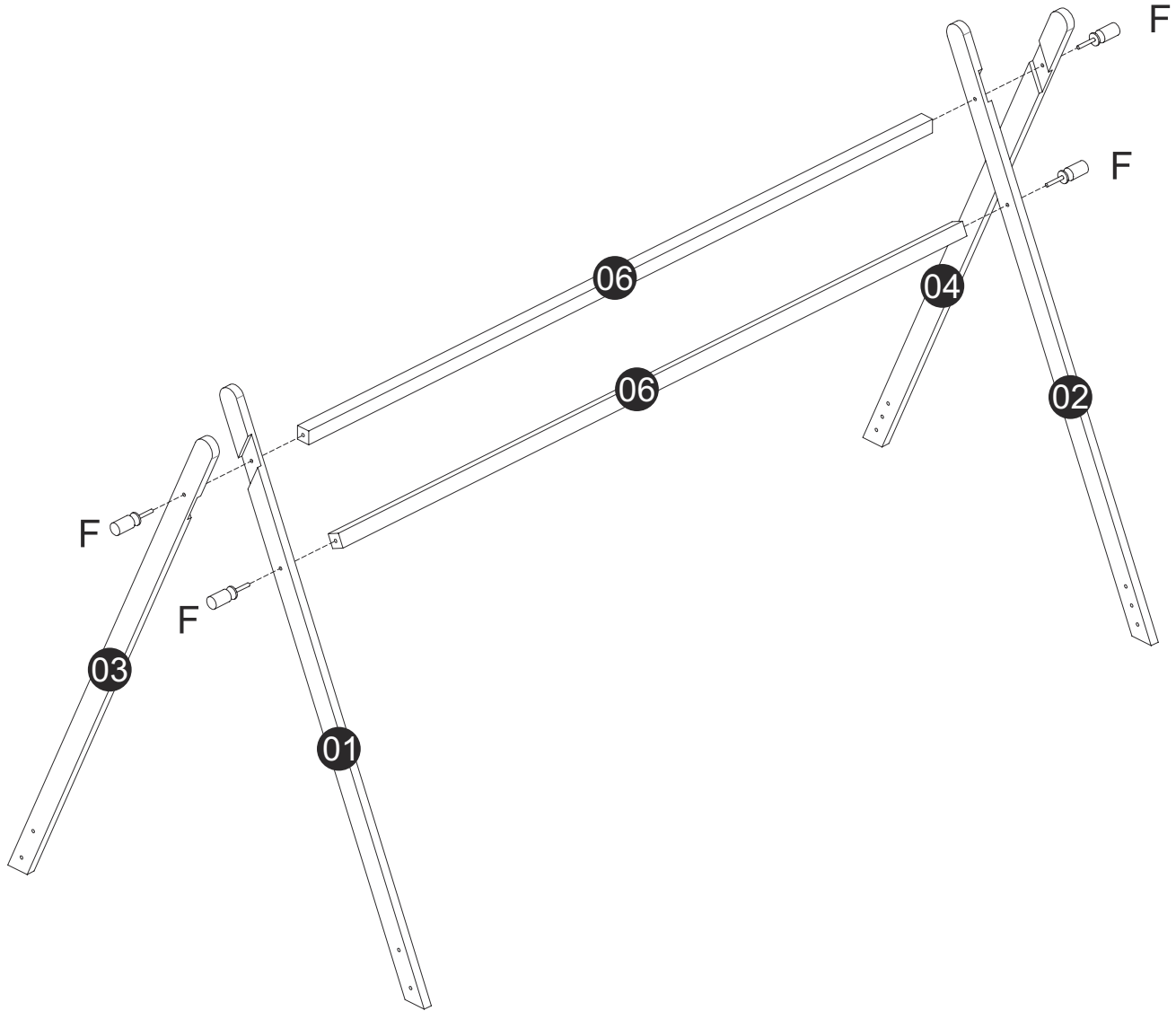



Birlea

Suppliers of inspiration

STEP 1

Attach the Left front corner panel (1) and left rear corner panel (3) and the right front corner panel (2) and right rear corner panel (4) to the cross bars (6) using hardware part (F).



F		4
---	---	---

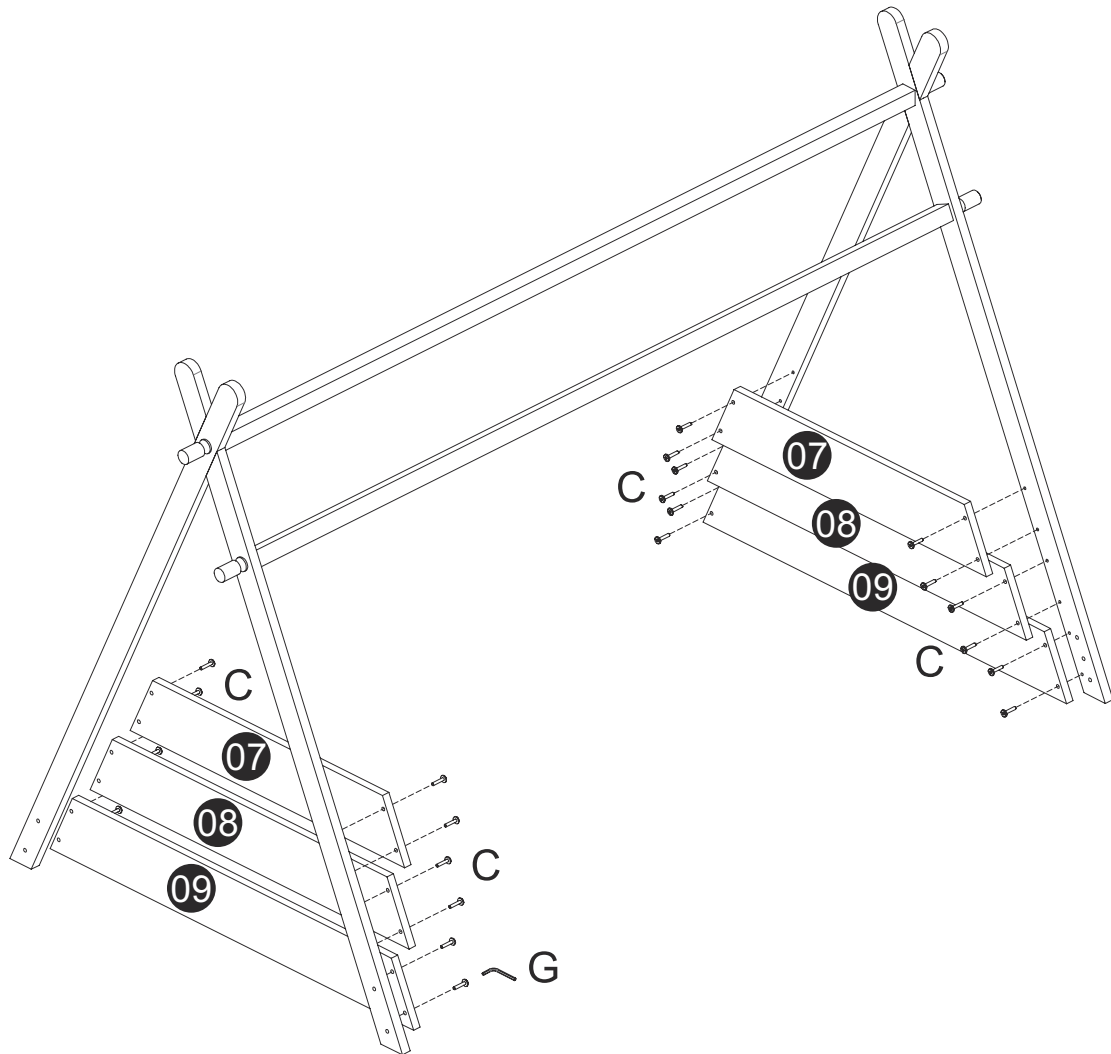


Birlea

Suppliers of inspiration

STEP 2

Attach the Top side panel (7), Middle side panel (8) and Bottom side panel (9) to the corner panels (1), (2), (3) and (4) using hardware parts (C) and (G).



C	 M6x30mm	24
---	---	----

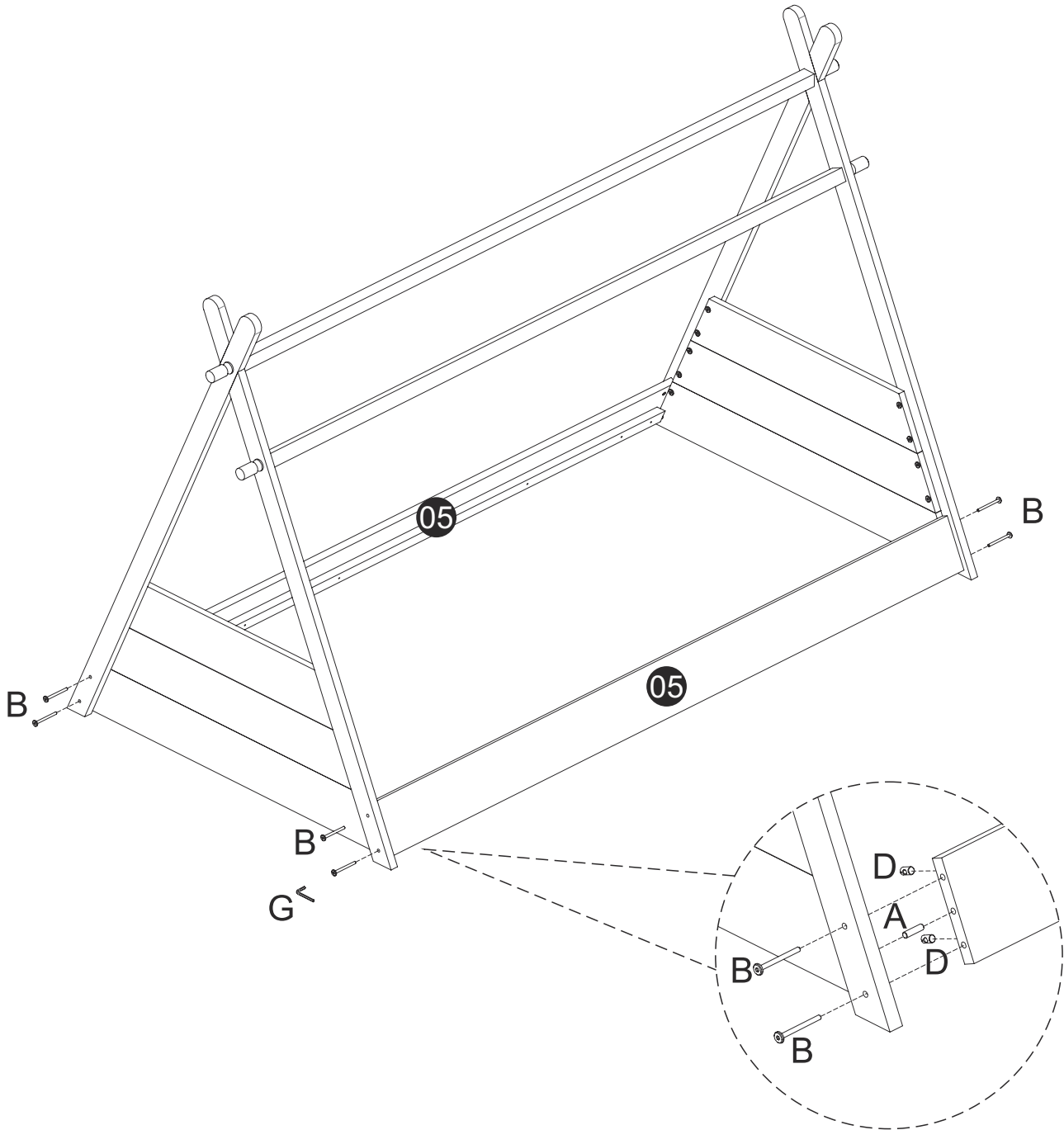





Birlea

Suppliers of inspiration

STEP 3

Attach the Side rail (5) to the assembled side panels using hardware parts (A),(B), (D)and (G).



A	 $\Phi 8 \times 30 \text{mm}$	4
B	 M6x70mm	8
D		8

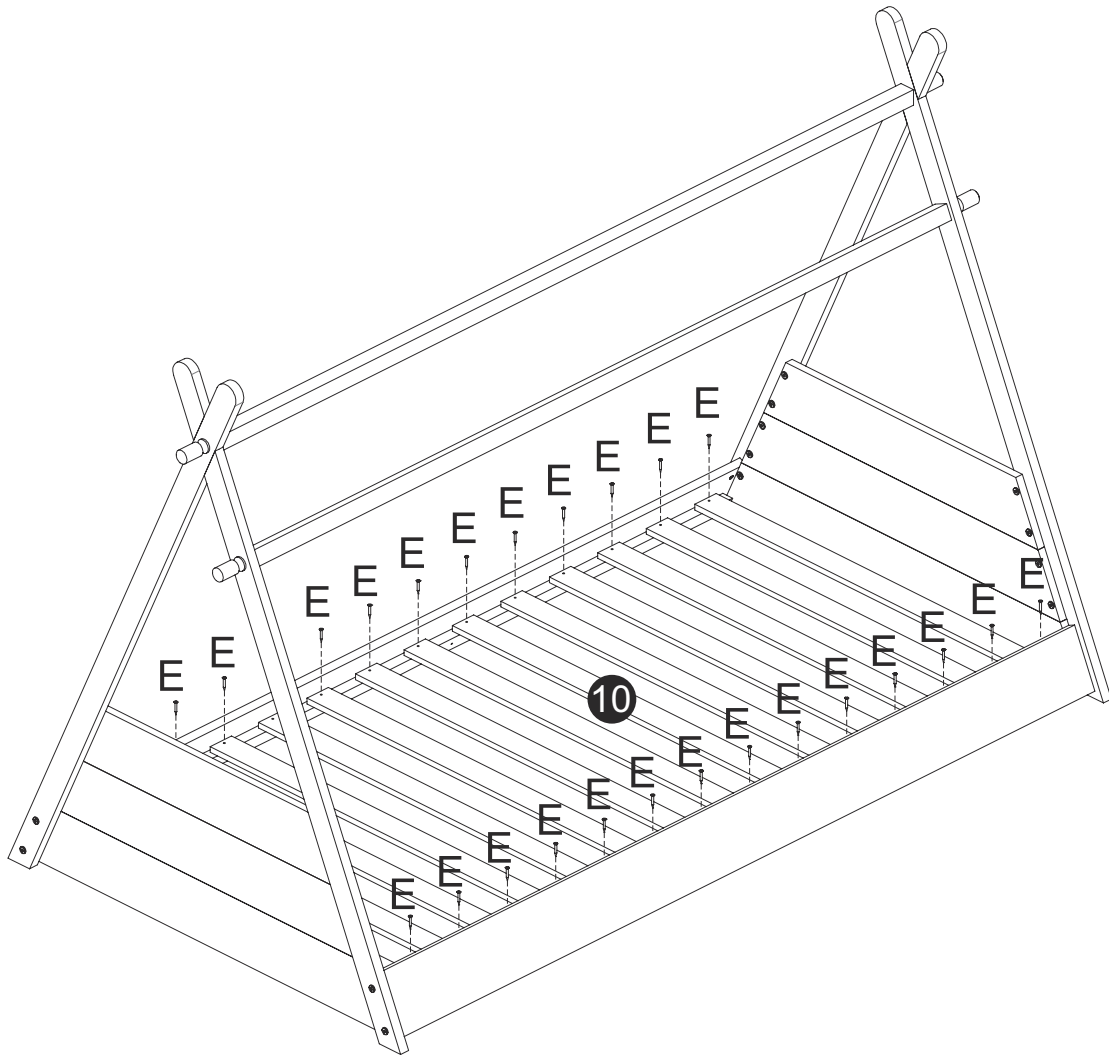



Birlea

Suppliers of inspiration

STEP 4

Attach the slats to the side rails using hardware (E) and a screwdriver (not provided).



E		Φ4x30mm	28
---	---	---------	----



Birlea

Suppliers of inspiration

Additional Information:

- For complete product information, images and dimension diagrams please visit the website www.birlea.com
- If you have any issues with your item please contact the retailer directly you purchased it from who will be able to resolve any issues with Birlea.
- Why don't you send us photos of your assembled furniture to info@birlea.com to be shared in our #birleahome feature on Instagram.



Birlea

Suppliers of inspiration