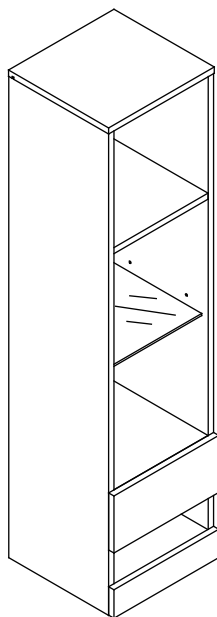


GALICIA WALL HANGING NARROW SHELF UNIT ASSEMBLY INSTRUCTIONS

Thank you for purchasing the Galicia Wall Hanging Narrow Shelf Unit.
Please read the instructions carefully to ensure safe operation of this product,
especially the installation warnings shown in Page 2 of this guide.



Size: 30 x 30 x 120 cm (WDH)

Colour: White or Grey or Black

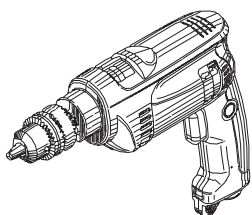
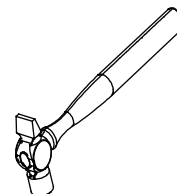
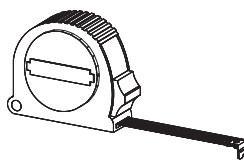
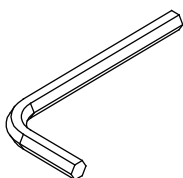
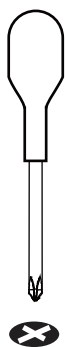
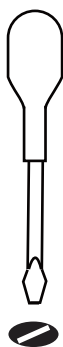
Finish: Melamine Cabinet with Gloss Fronts

PLEASE READ this sheet prior to assembly to familiarise yourself with the various stages of construction.

Carefully open the pack supplied and check the contents against the parts and fittings check list. Do not destroy any of the packaging until you are certain that you have all the necessary parts for the assembly.

CAUTION: There are small components used in the construction of this unit. These loose items should be kept away from young children whilst assembling your unit to avoid the danger of choking.

Tools Required



Number of persons
needed for assembly



1 1/4 Hour
Set Up

Version 1 - 191107

PO No: _____

Page 1 of 14

IMPORTANT - READ CAREFULLY - RETAIN THESE INSTRUCTIONS FOR FUTURE REFERENCE.

INFORMATION

- This product is designed to hold 10Kg in total, spread evenly over the whole unit.
- Do not exceed this weight.
- We recommend that this unit is assembled in the room intended for use.
- When you are ready to start, make sure that you have the right tools, plenty of space and a clean, dry area for assembly.
- Unwrap all packaging materials and place the components on top of the carton box or on a clean floor to prevent them from scratching.
- Check the pack and make sure you have all the parts listed.
- Ensure that this product is fully assembled as illustrated before use.
- Check all screws or bolts are tightened and inspect regularly
- Tools not included unless specified in parts list.

WARNINGS

- DO NOT use power tools to construct this product.
- DO NOT tighten screws until parts are assembled or as advised in this guide.
- DO NOT over tighten screws or bolts.
- DO NOT use this product if parts are missing, damaged or worn.
- This is a Shelf Unit designed to hang from the wall, only use the brackets provided.
- **INSTALLATION WARNINGS:**
 1. In order to prevent the product falling down this product must be installed with the wall hanging devices provided - do not use any other means to support the product.
 2. Carefully assess the suitability of the wall to ensure that the fastening device will withstand the load and forces generated. Walls can be quite different in construction so fixings are not supplied - choose the most suitable fixing for your wall type - if in doubt consult an expert.
 3. When drilling the wall always be sure the area to be drilled is free from hidden electrical wiring, water or gas pipes.
 4. The assembly of this product must be done carefully following the detailed stages in the Assembly Instruction.
 5. Installation of this product needs to be carried out in accordance with the following instructions, see Step 13 onwards...

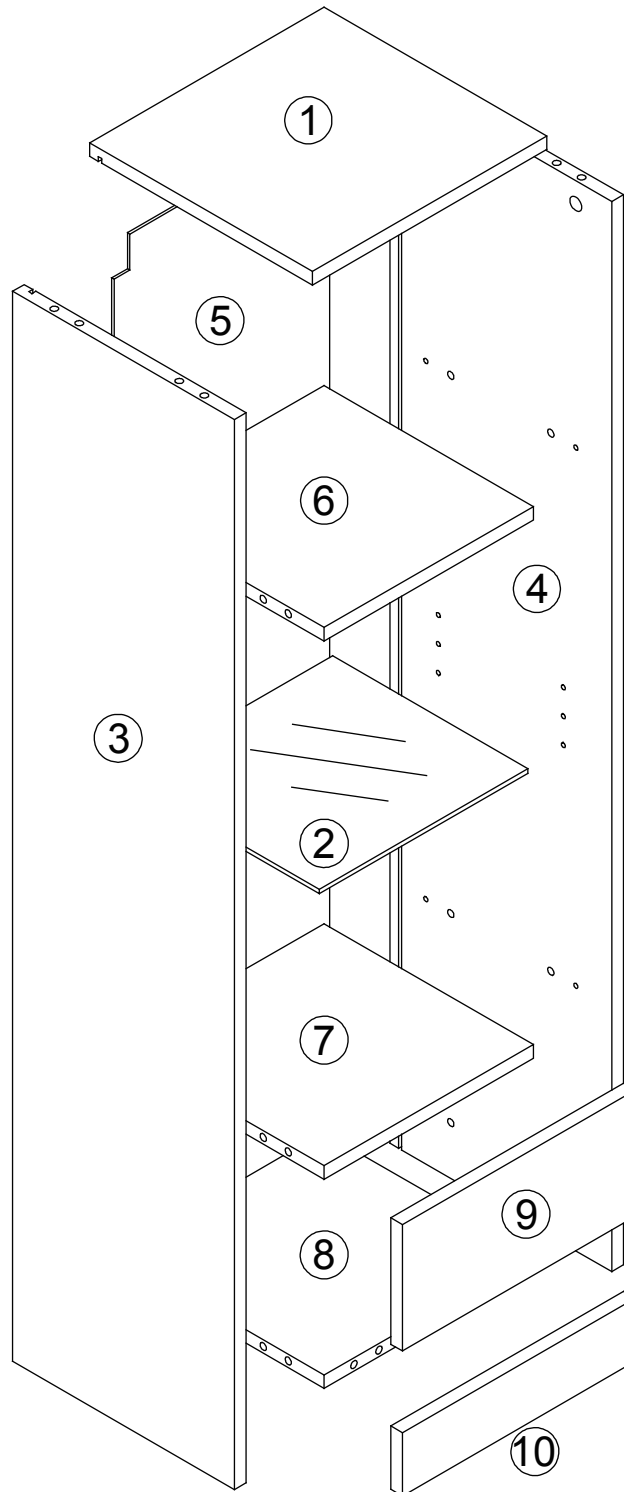
CARE INFORMATION

- Never use scourers, abrasives or chemical cleaners.
- To clean, wipe with a damp cloth.
- Do not use solvent based cleaners or detergents as they can bleach or damage the product.

Parts and Fittings Checklist

Please check the pack contents before assembling the product. If any components are missing, please contact your retailer.

The fittings pack contains small items that should be kept away from children.



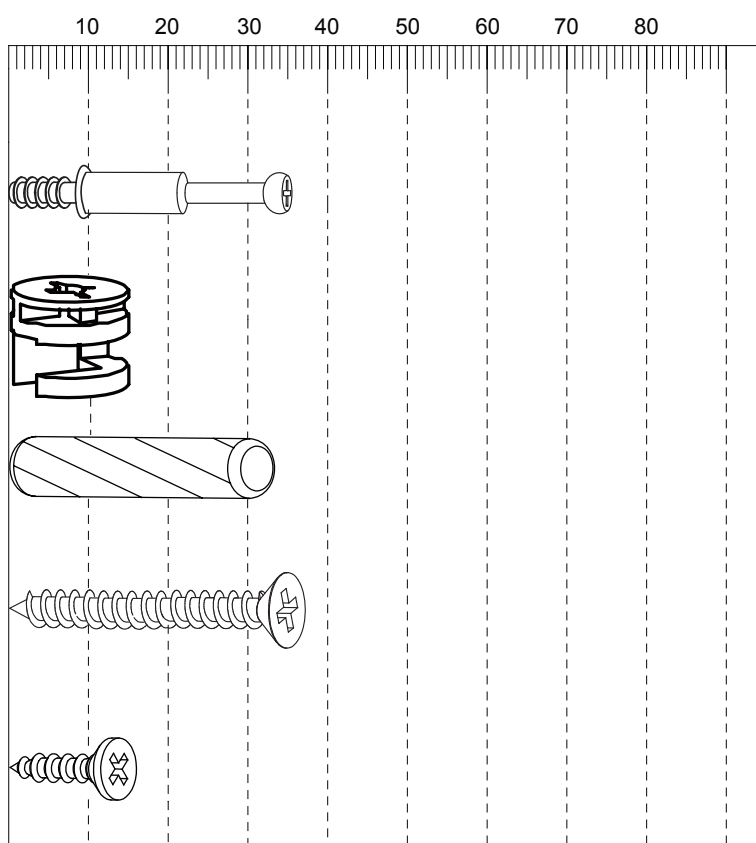
GALICIA WALL HANGING NARROW SHELF UNIT ASSEMBLY INSTRUCTIONS

All parts are packed in one carton

1	2	3
Description: Top Panel Qty: 1 Size: 300 x 285 x 15 mm Carton No: 1/1	Description: Glass Shelf Qty: 1 Size: 267 x 250 x 5 mm Carton No: 1/1	Description: LH Side Panel Qty: 1 Size: 1158 x 284 x 15 mm Carton No: 1/1
4	5	6
Description: RH Side Panel Qty: 1 Size: 1158 x 284 x 15 mm Carton No: 1/1	Description: Back Panel Qty: 1 Size: 1123 x 267 x 3 mm Carton No: 1/1	Description: Upper Fixed Shelf Qty: 1 Size: 268 x 268 x 15 mm Carton No: 1/1
7	8	9
Description: Lower Fixed Shelf Qty: 1 Size: 268 x 268 x 15 mm Carton No: 1/1	Description: Base Panel Qty: 1 Size: 268 x 284 x 15 mm Carton No: 1/1	Description: Flap Qty: 1 Size: 298 x 140 x 15 mm Carton No: 1/1
10		
Description: Cross Fascia Qty: 1 Size: 298 x 70 x 15 mm Carton No: 1/1		

Fittings (to scale)

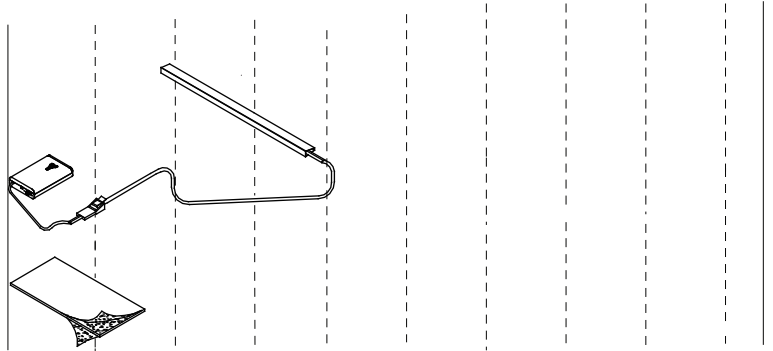
Code	Item	Quantity
A	Cam Bolt (35mm overall)	18
B	Cam Lock	18
C	Dowel (8x30mm)	18
D	Screw for Fitting Wall Support to carcass (4x32mm)	4
E	Screw for Fitting Hinge and back panel (3.5x12mm)	8



GALICIA WALL HANGING NARROW SHELF UNIT ASSEMBLY INSTRUCTIONS

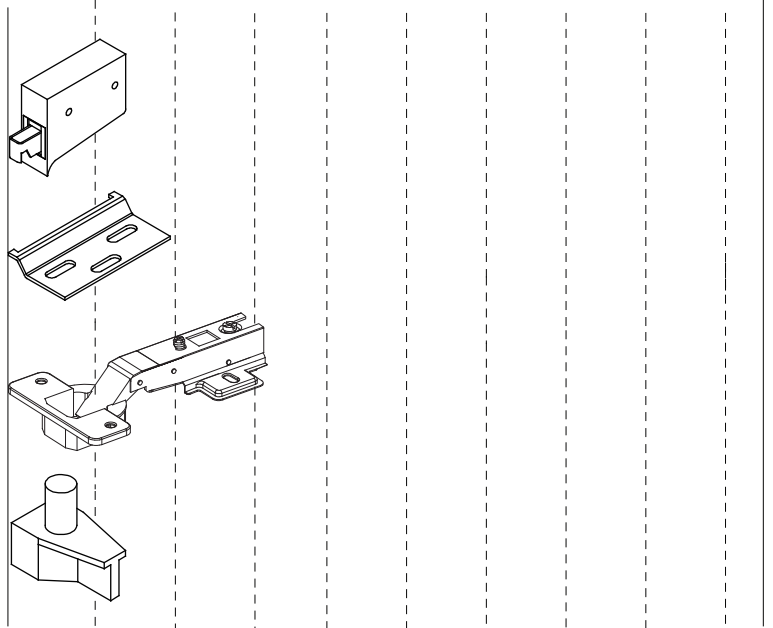
Fittings (packed in one LED box).

Code	Item	Quantity
H	Battery Box and LED Clip-on Strip	1
T	Sticker	1

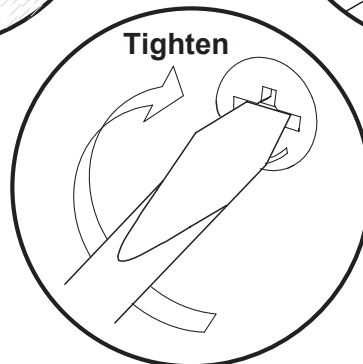
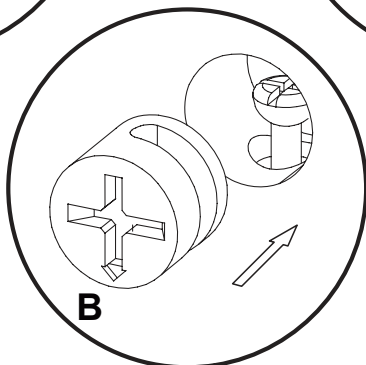
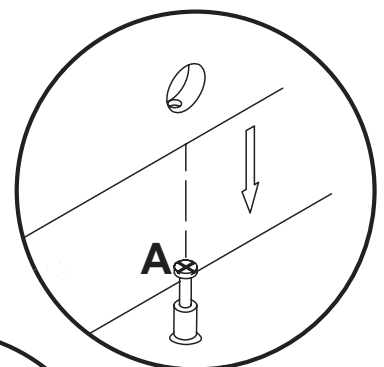
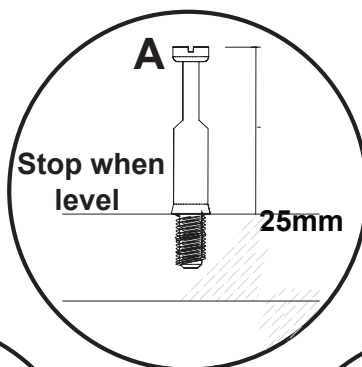
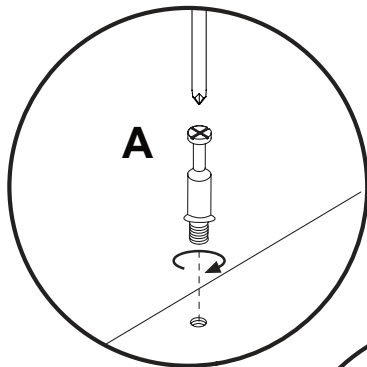


Fittings (not to scale)

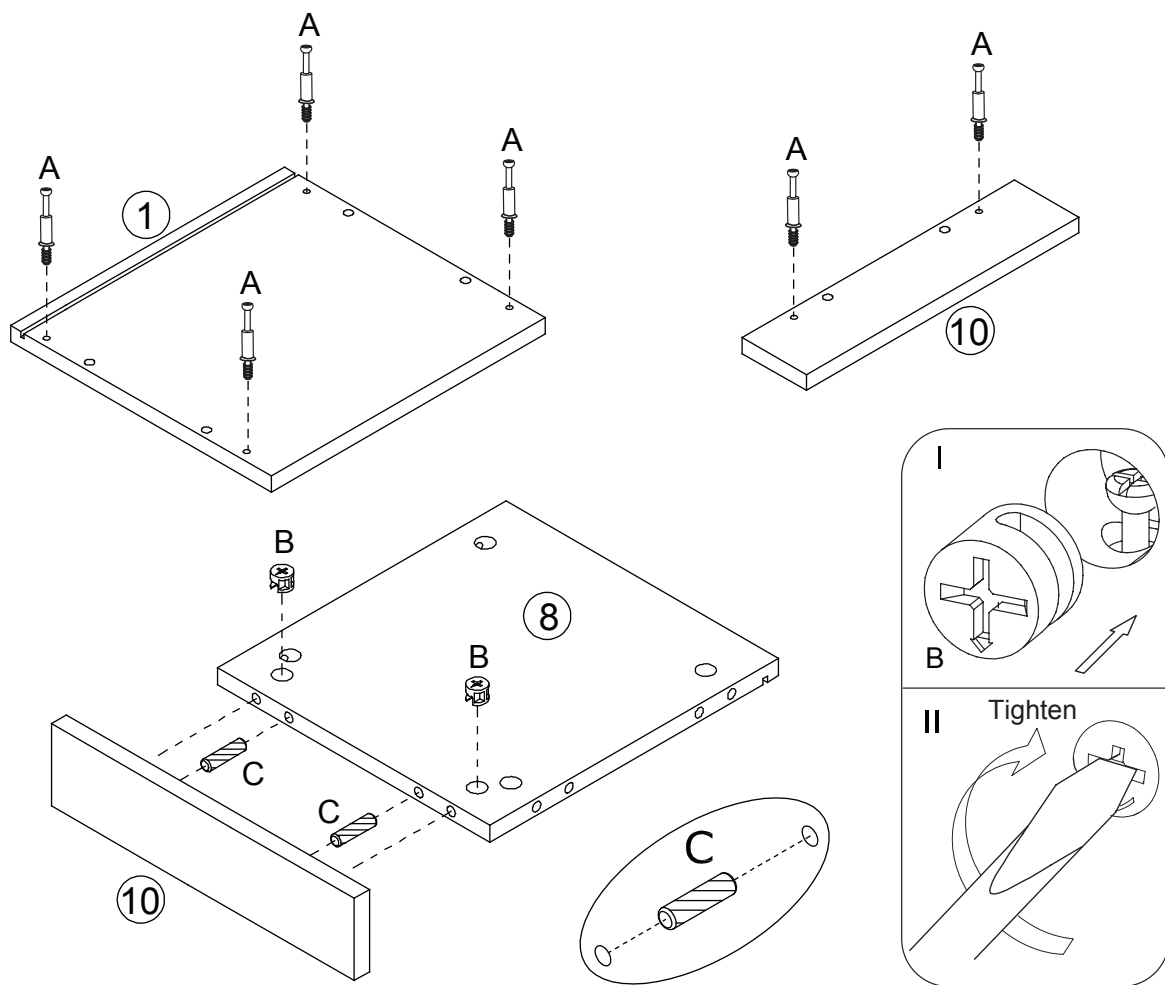
Code	Item	Quantity
L	Wall Support Fixed to Carcass	2
M	Wall Bracket	2
Q	Flap Hinge	2
S	Shelf Support	4



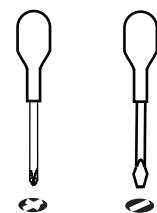
General Hints & Tips



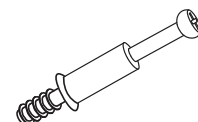
STEP 1



For this step:
Tools required



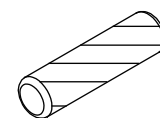
Fittings required



A x6

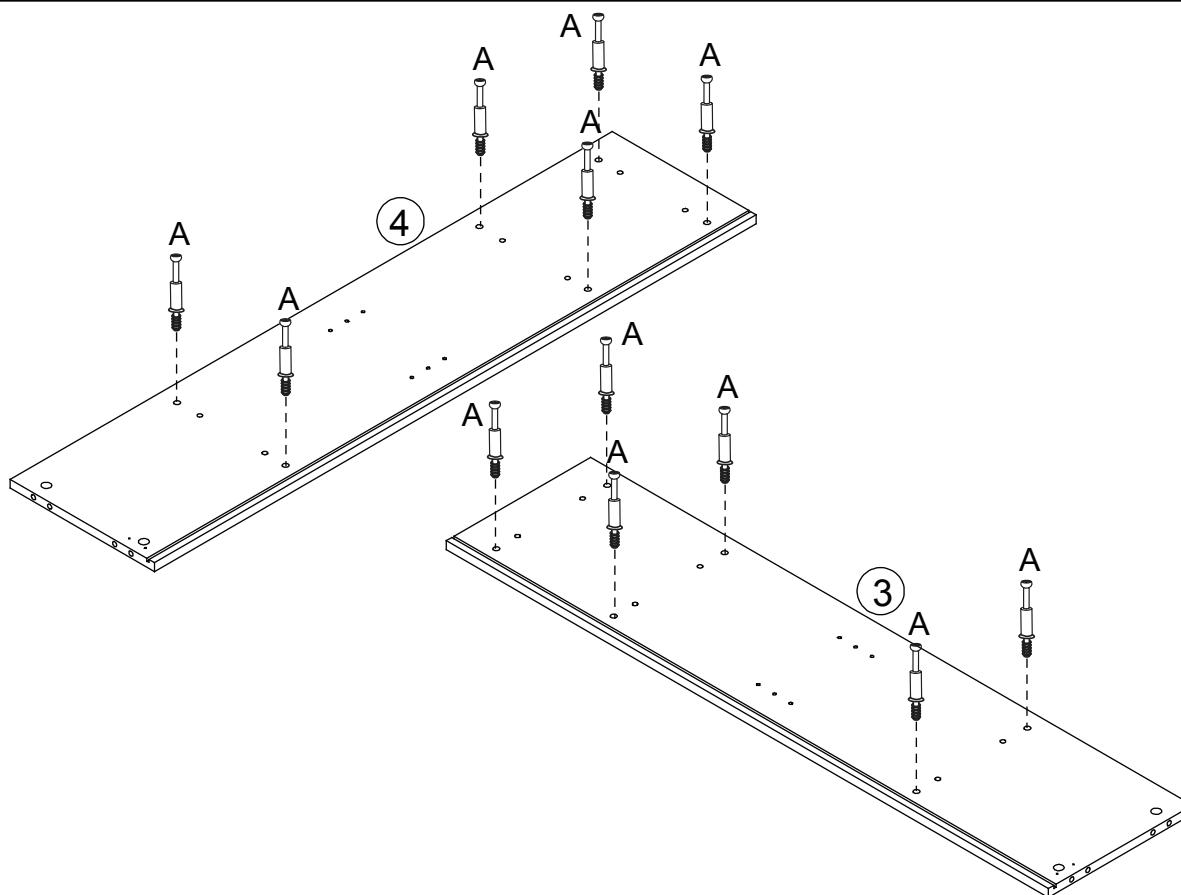


B x2



C x2

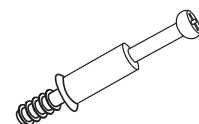
STEP 2



For this step:
Tools required

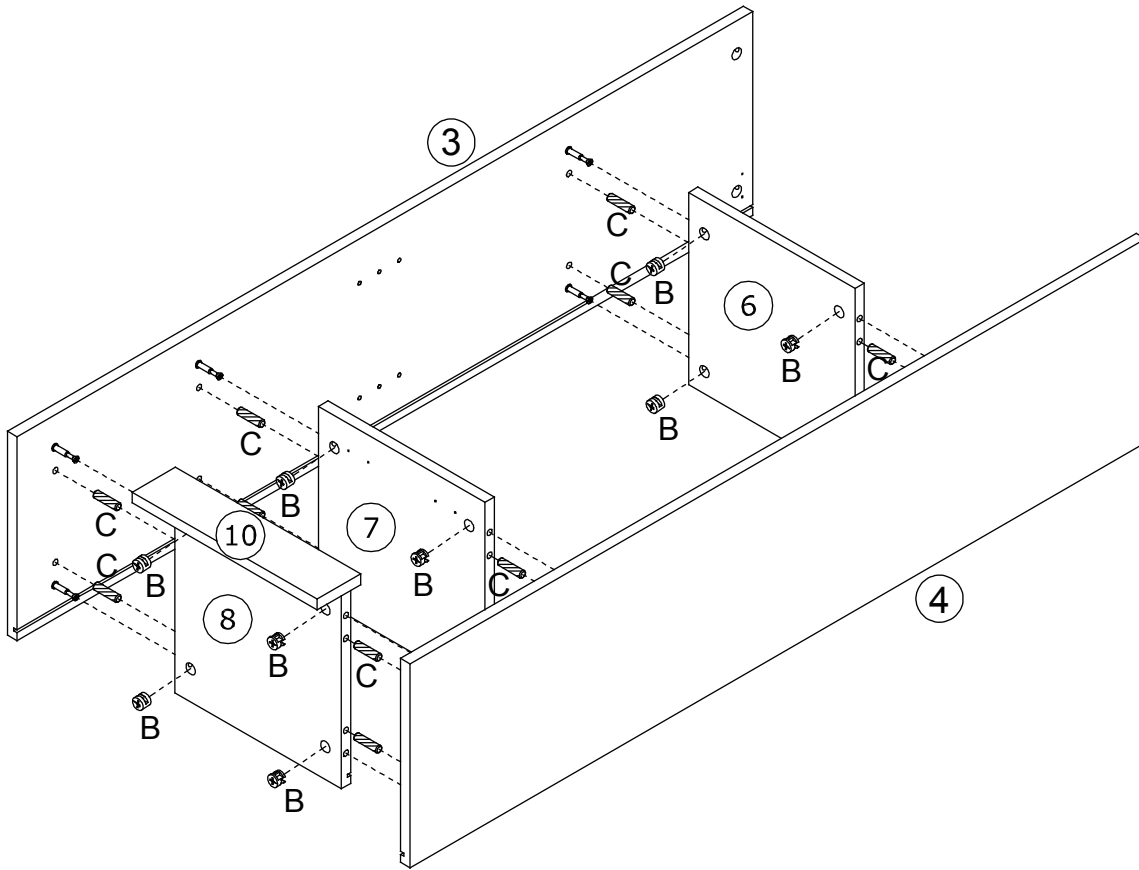


Fittings required



A x12

STEP 3



For this step:

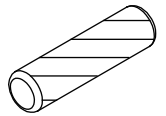
Tools required



Fittings required

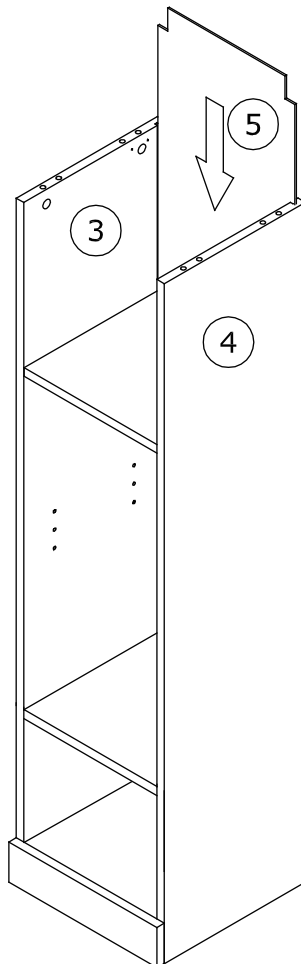


B x12



C x12

STEP 4

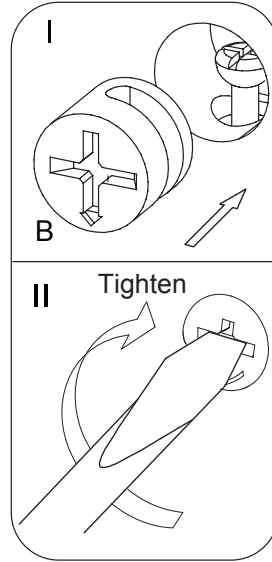
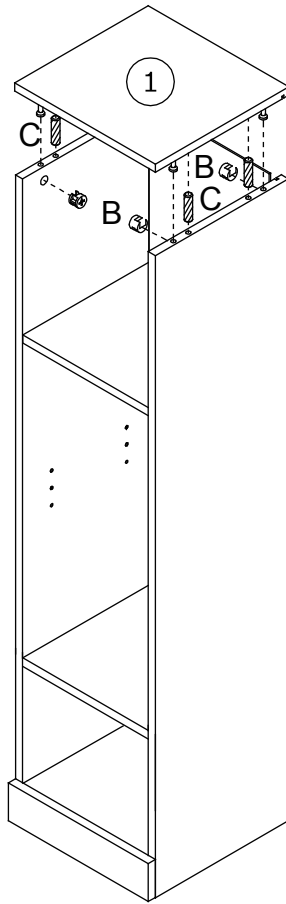
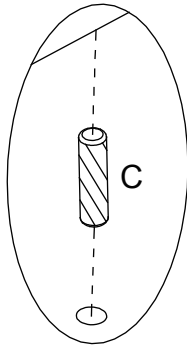


For this step:

Tools required

Fittings required

STEP 5



For this step:

Tools required

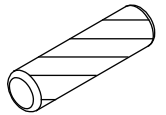


Fittings required

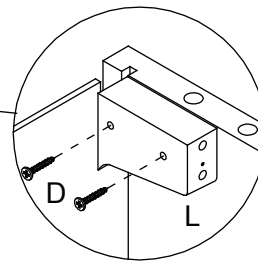
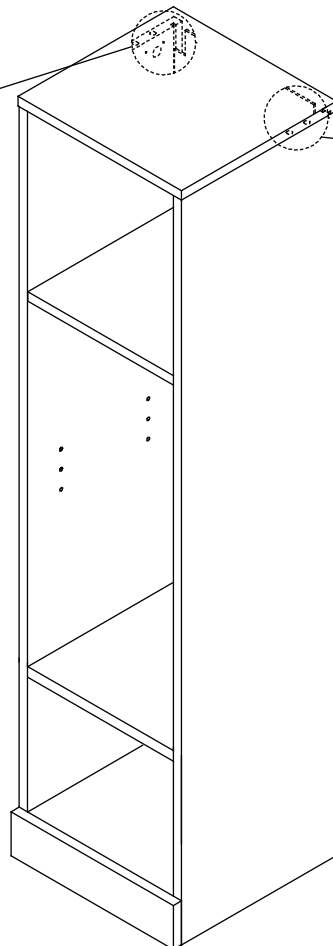
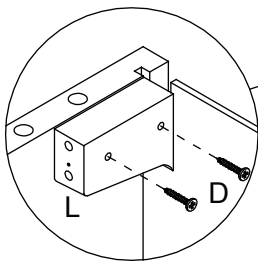
B x4



C x4



STEP 6



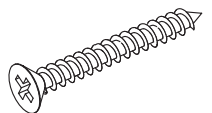
For this step:

Tools required

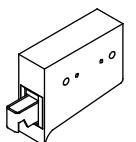


Fittings required

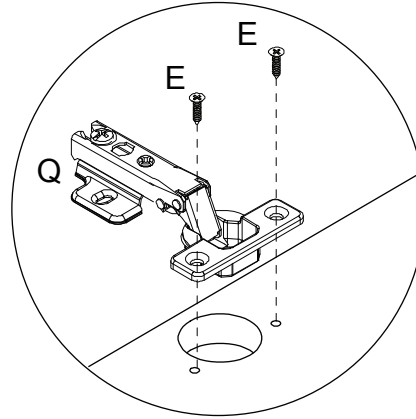
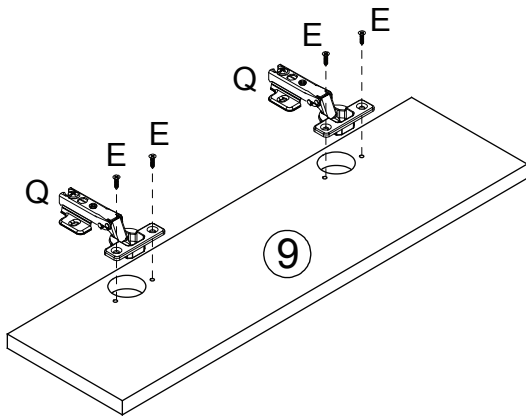
D x4



L x2

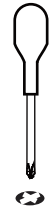


STEP 7

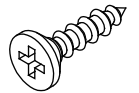


For this step:

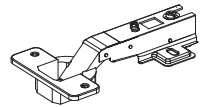
Tools required



Fittings required

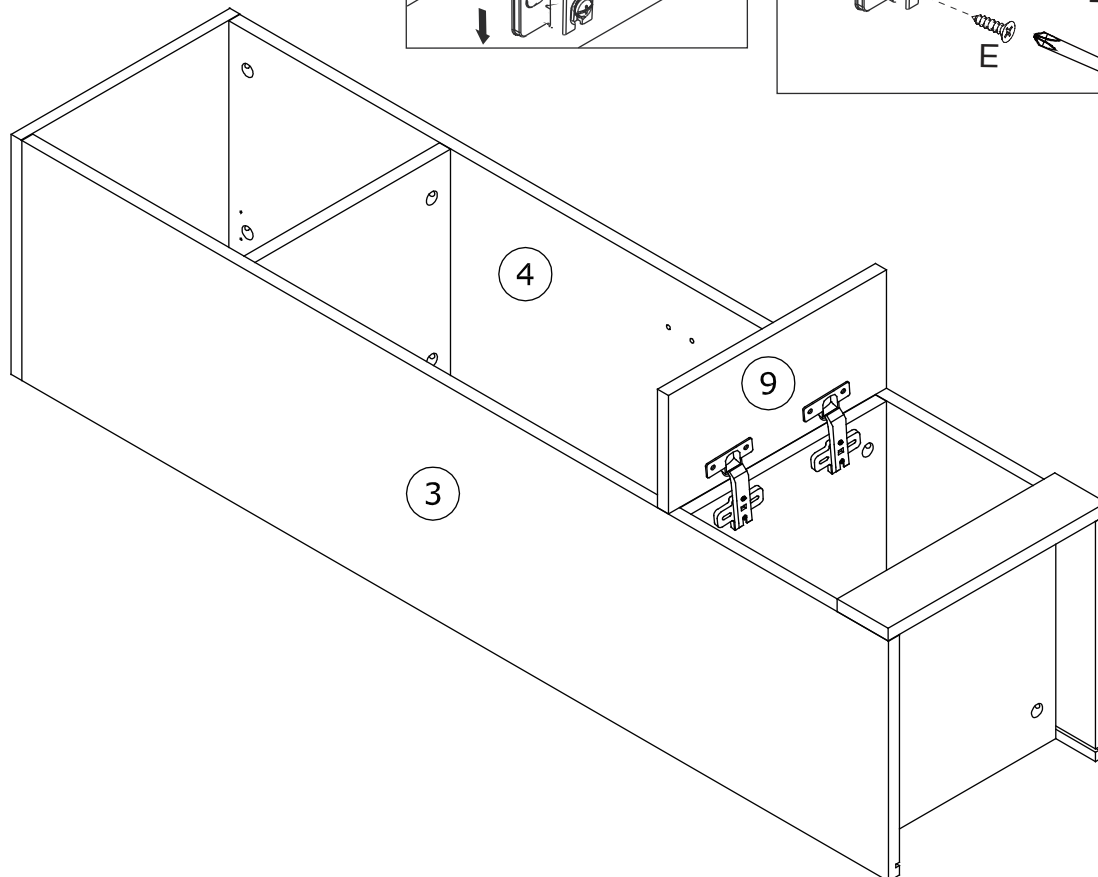
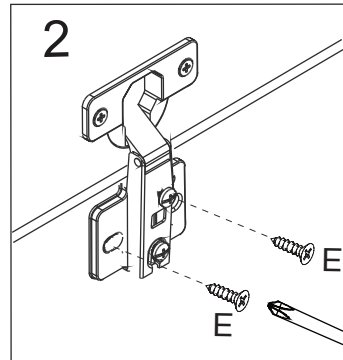
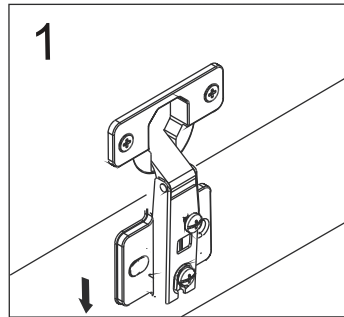


E x4



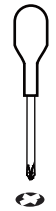
Q x2

STEP 8

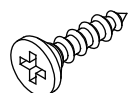


For this step:

Tools required



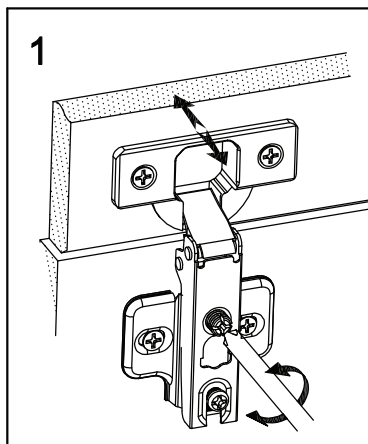
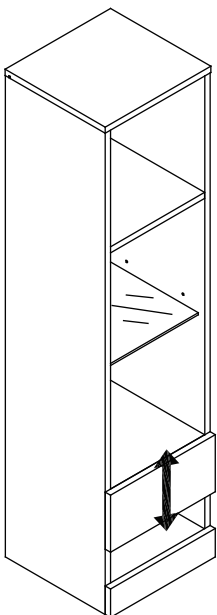
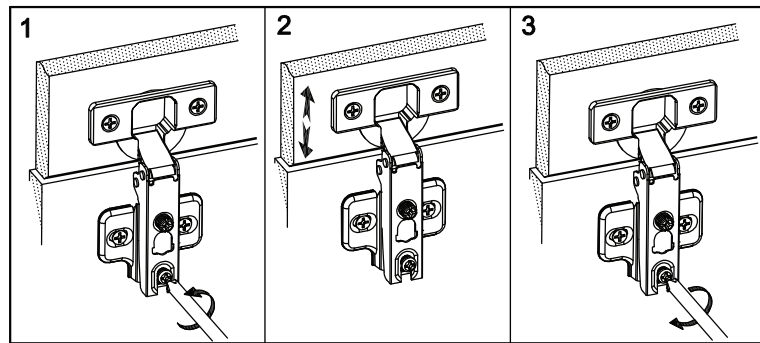
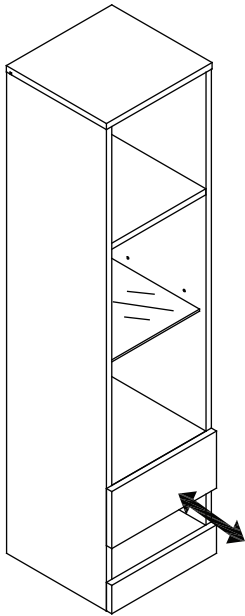
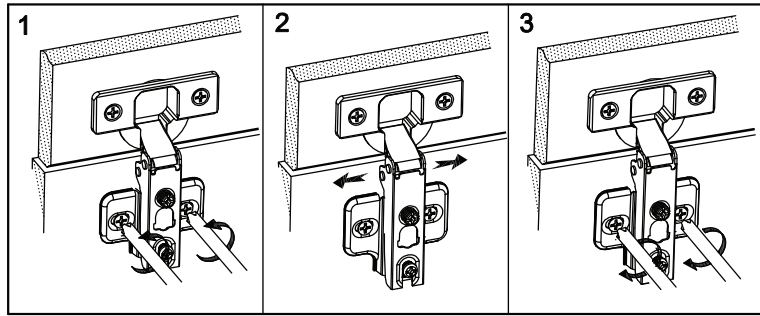
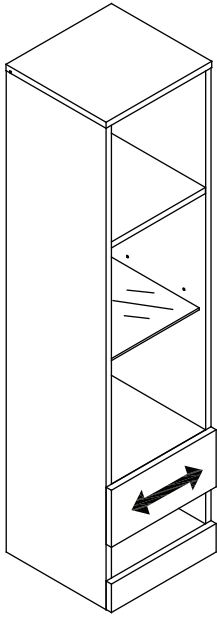
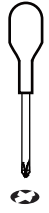
Fittings required



E x4

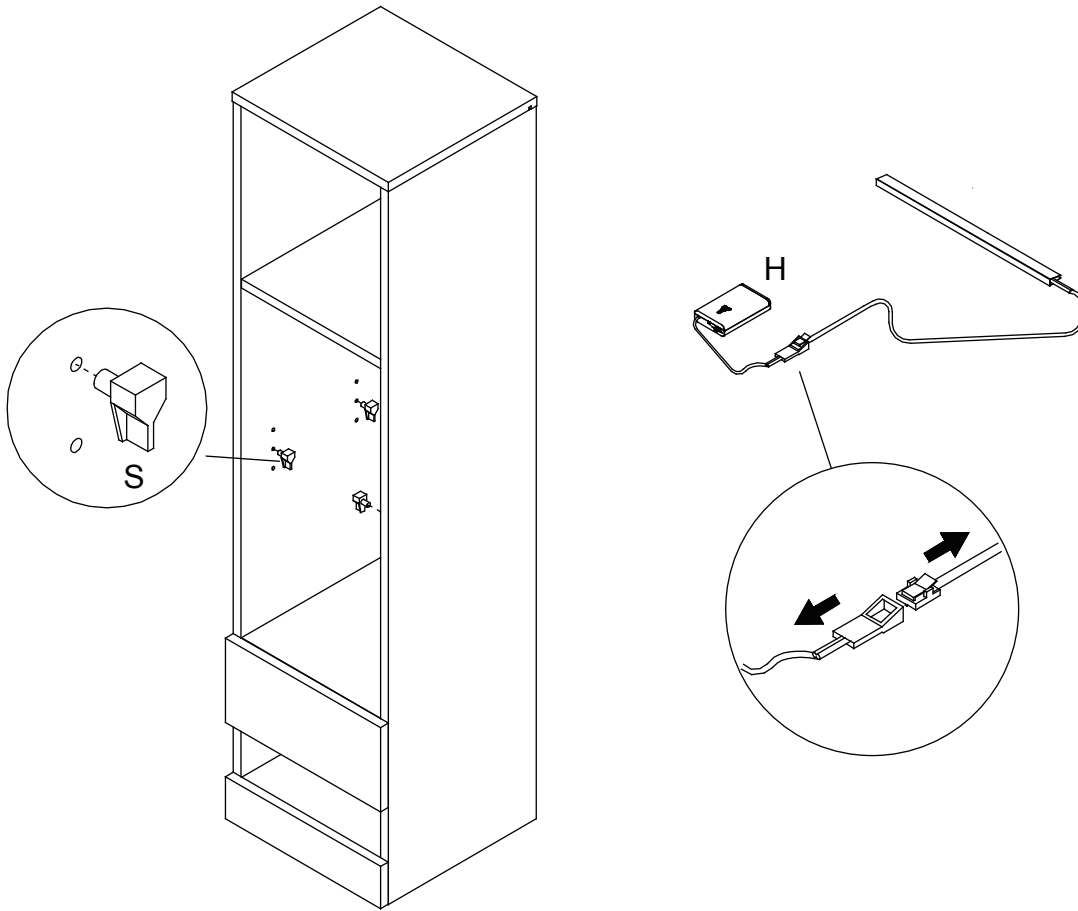
STEP 9

For this step:
Tools required



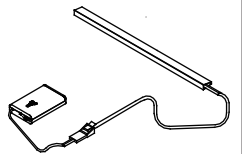
After adjusting, please tighten all screws (E) 100%.

STEP 10

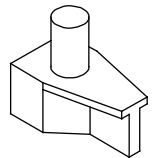


For this step:
Tools required

Fittings required



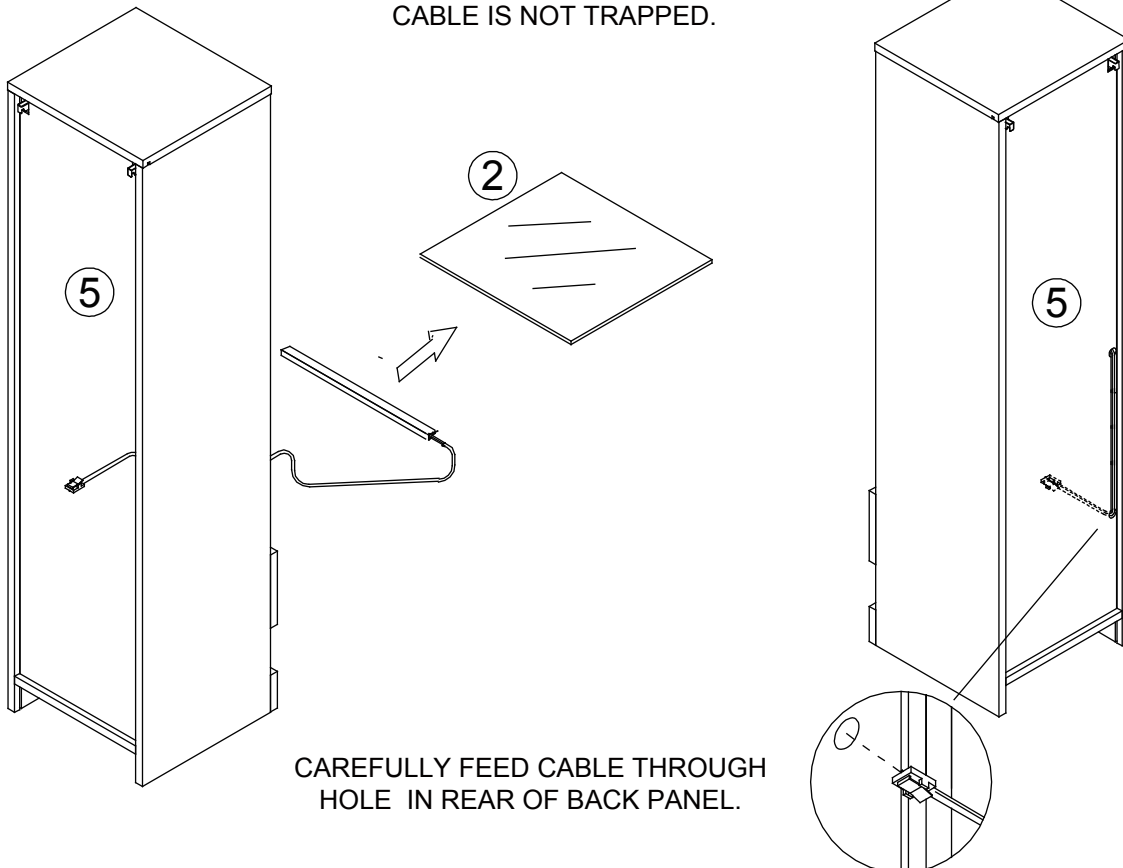
H x1



S x4

STEP 11

CLIP LED STRIP ONTO REAR OF GLASS SHELF THEN SLIDE SHELF INTO PLACE MAKING SURE CABLE IS NOT TRAPPED.

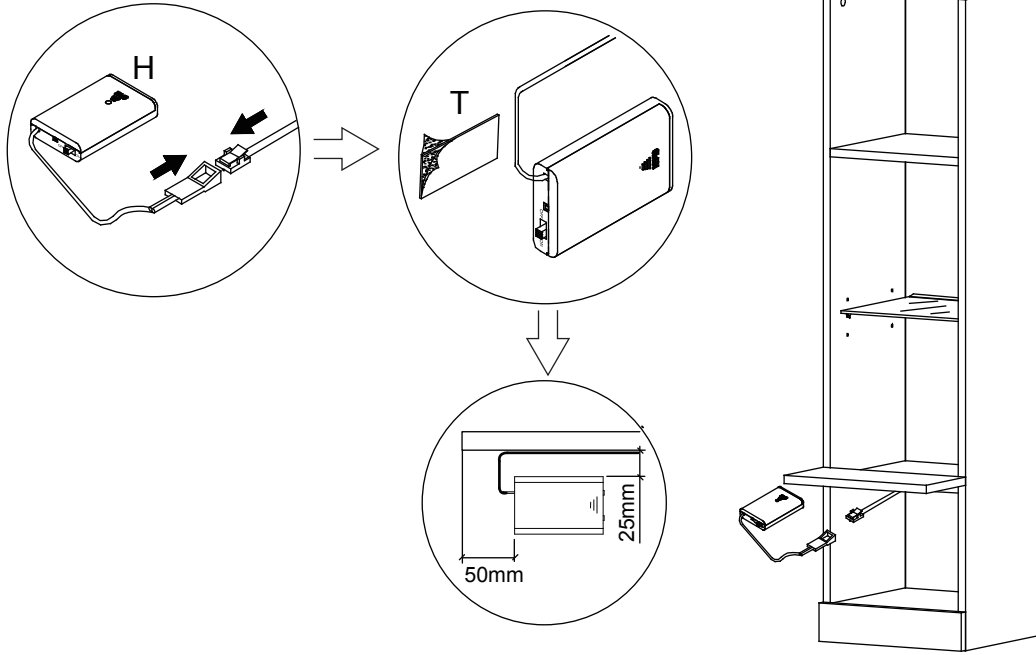


CAREFULLY FEED CABLE THROUGH HOLE IN REAR OF BACK PANEL.

For this step:
Tools required

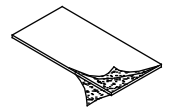
Fittings required

STEP 12



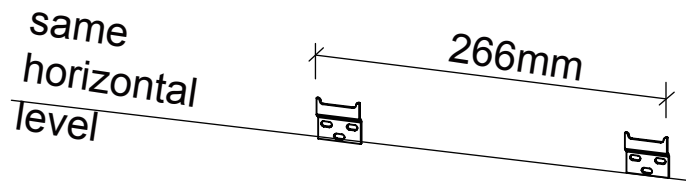
For this step:
Tools required

Fittings required



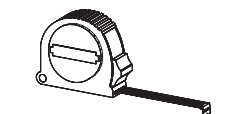
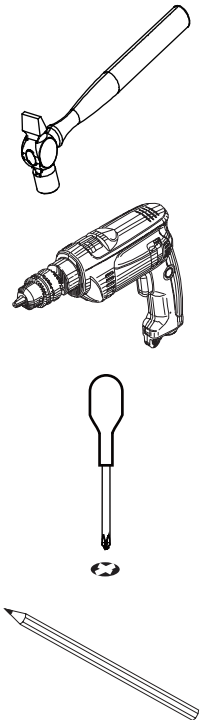
T x1

STEP 13

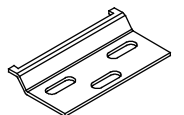


Warning: Always ensure the area to be drilled is free from hidden electrical wires, water or gas pipes.

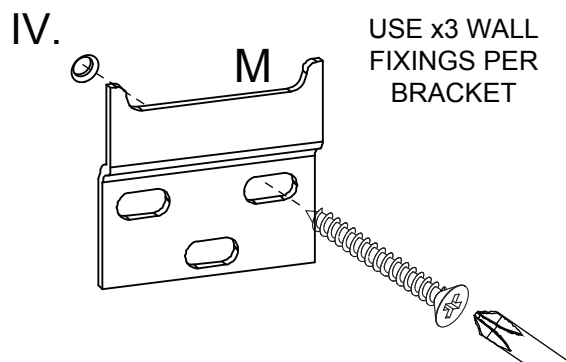
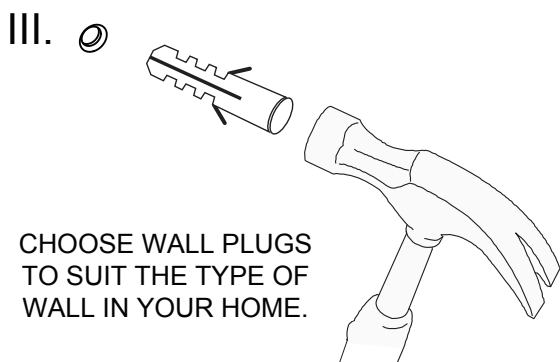
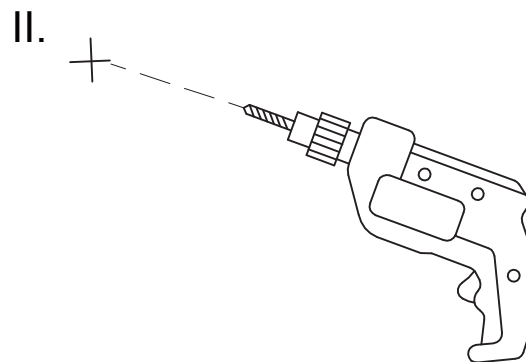
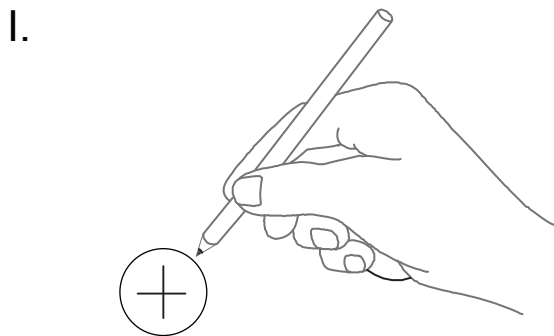
For this step:
Tools required



Fittings required

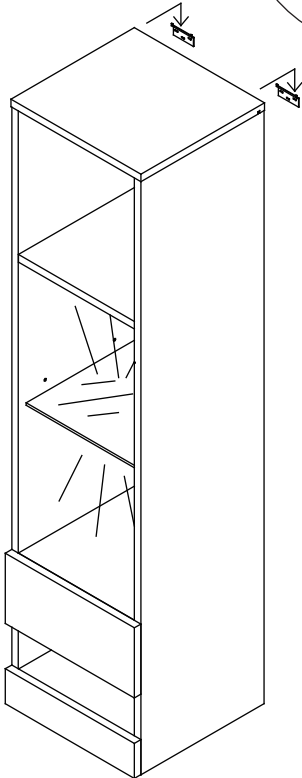
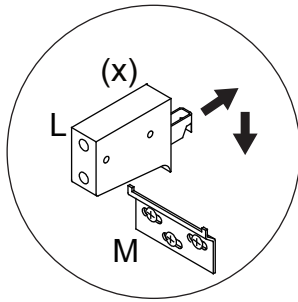


M x2

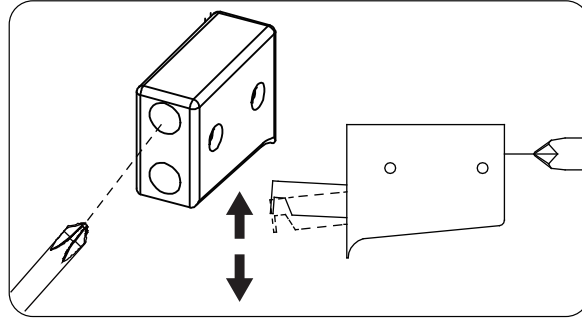


STEP 14

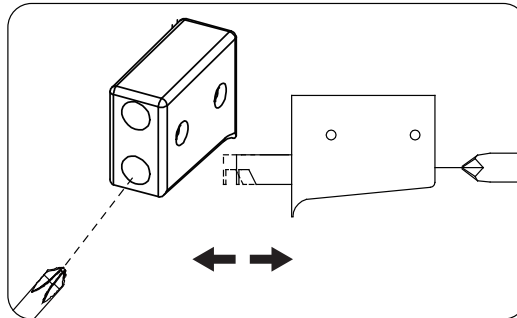
i. On the hanging supports, make certain hooks (x) are fully extended.



ii. With help, hang the cabinet onto the metal wall brackets by carefully aligning the end panels so they just miss the ends of the brackets. Turn upper screw(s) on either side until unit is horizontal.

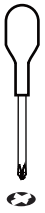


iii. When unit is hanging on the brackets, tighten lower screws clockwise, so clamping unit to wall - do not over-tighten.



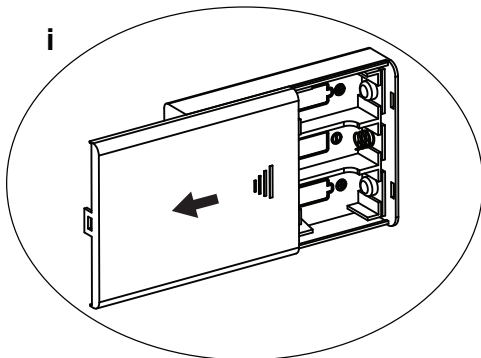
For this step:

Tools required

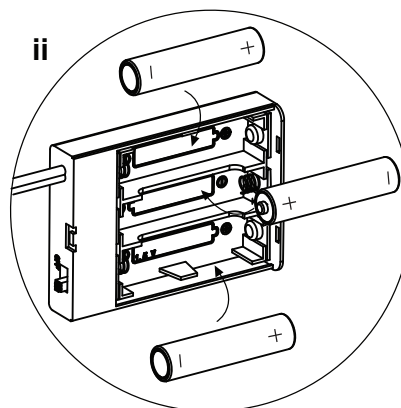


CHANGING THE BATTERIES

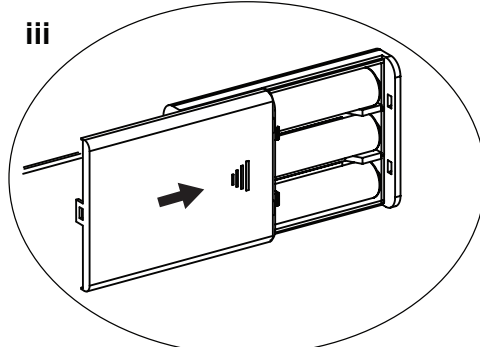
SLIDE OFF THE LID



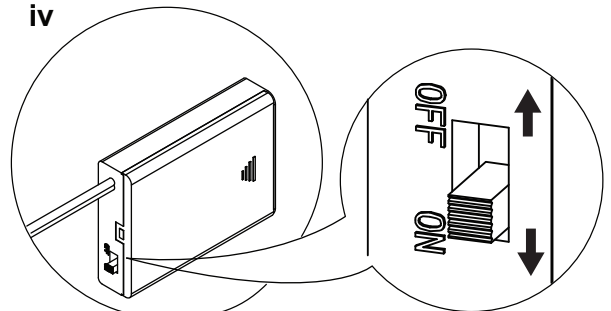
CHANGE BATTERIES



SLIDE LID BACK ON



iv



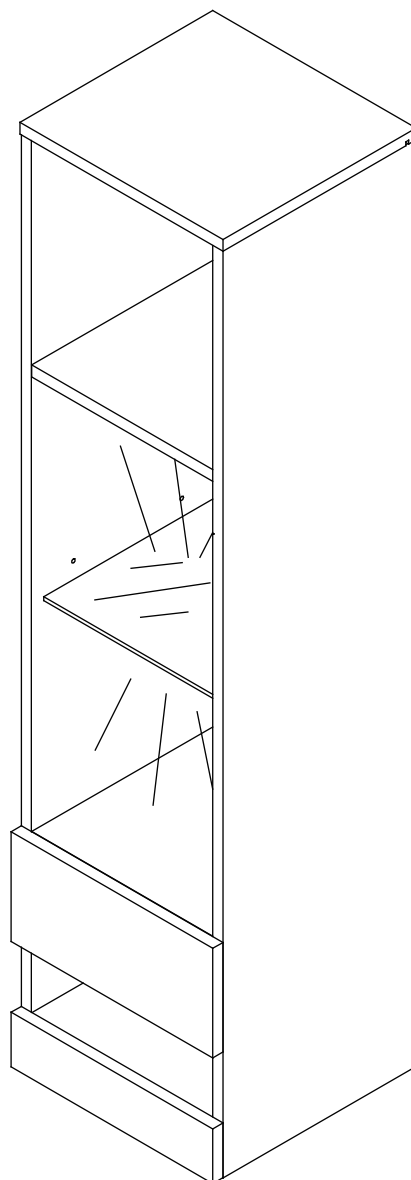
USE GOOD QUALITY AA BATTERIES. FOR BEST RESULTS USE RE-CHARGEABLES.

Assembly Completed

Your Galicia Wall Hanging Narrow Shelf is now completely assembled.

Periodically check to ensure that the components are in their proper position, free from damage.

Also, make sure the connectors are tight and secure.



Keep instructions for future reference

