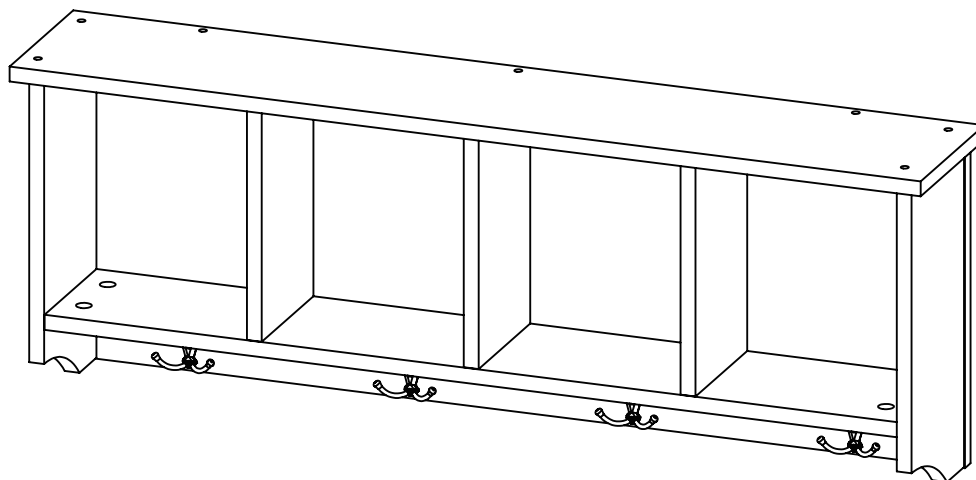


KEMPTON COAT RACK WITH STORAGE ASSEMBLY INSTRUCTIONS

Thank you for purchasing the Kempton Coat Rack with Storage.

Please read the instructions carefully to ensure safe operation of this product.



Size: 92 x 17 x 34 cm (WDH)

Colour: White, Oak or Walnut

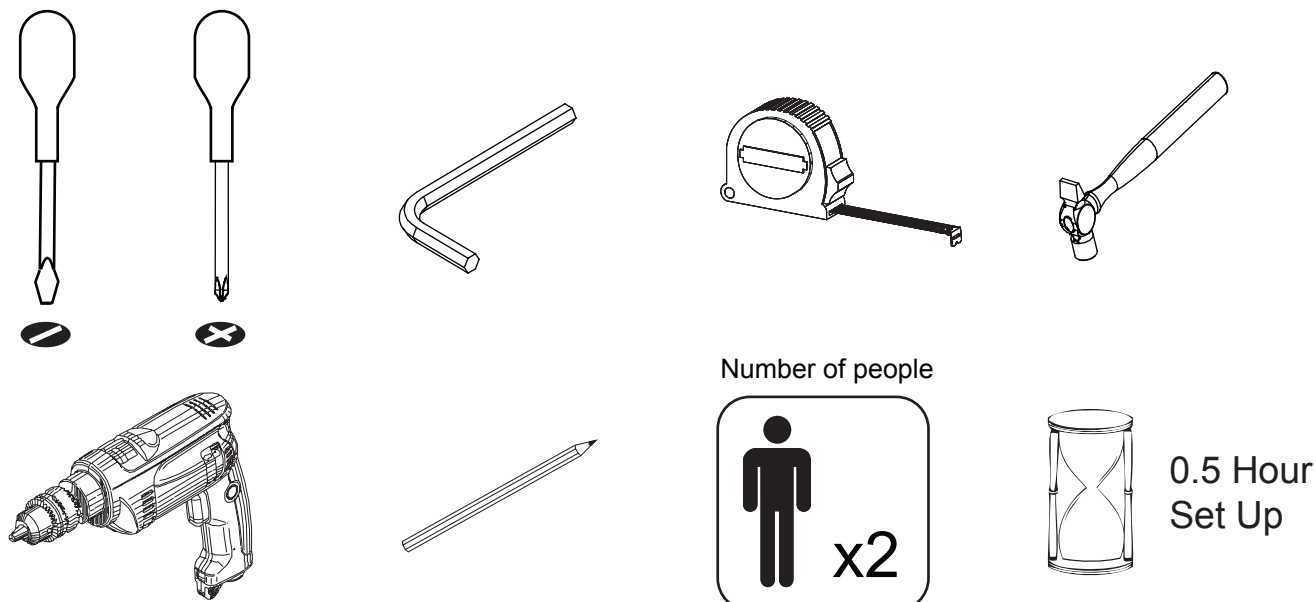
Finish: Melamine Veneer

PLEASE READ this sheet prior to assembly to familiarise yourself with the various stages of construction.

Carefully open the pack supplied and check the contents against the parts and fittings check list. Do not destroy any of the packaging until you are certain that you have all the necessary parts for the assembly.

CAUTION: There are small components used in the construction of this unit. These loose items should be kept away from young children whilst assembling your unit to avoid the danger of choking.

Tools Required



Number of people



KEMPTON COAT RACK WITH STORAGE ASSEMBLY INSTRUCTIONS

IMPORTANT - READ CAREFULLY - RETAIN THESE INSTRUCTIONS FOR FUTURE REFERENCE.

INFORMATION

- This product is designed to hold 20Kg in total, spread evenly over the whole unit.
- Do not exceed this weight.
- We recommend that this unit is assembled in the room intended for use.
- When you are ready to start, make sure that you have the right tools, plenty of space and a clean, dry area for assembly.
- Unwrap all packaging materials and place the components on top of the carton box or on a clean floor to prevent them from scratching.
- Check the pack and make sure you have all the parts listed.
- Ensure that this product is fully assembled as illustrated before use.
- Check all screws or bolts are tightened and inspect regularly
- Tools not included unless specified in parts list.

WARNINGS

- This product is meant to be screwed directly to a wall. We have supplied fixings for the most common types of walls but if your wall is of unusual construction, such as an internal or cavity wall, please consult an experienced trades person for advice on how to fix securely, so the product is safe to use.
- Keep small parts out of the reach of children.
- DO NOT use power tools to construct this product.
- DO NOT tighten screws until parts are assembled or as advised in this guide.
- DO NOT over tighten screws or bolts.
- DO NOT use this product if parts are missing, damaged or worn.

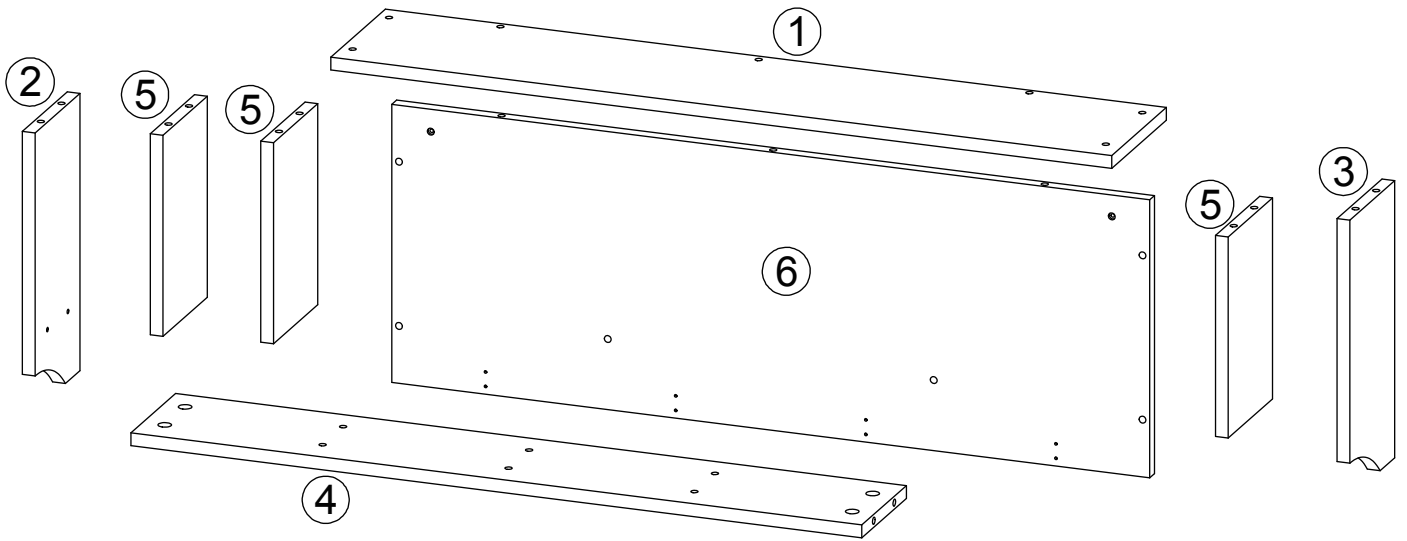
CARE INFORMATION

- Never use scourers, abrasives or chemical cleaners.
- To clean, wipe with a damp sponge and warm soapy water.
- Do not use solvent based cleaners or detergents as they can bleach or damage the product.

Parts and Fittings Checklist

Please check the pack contents before assembling the product. If any components are missing, please contact your retailer.

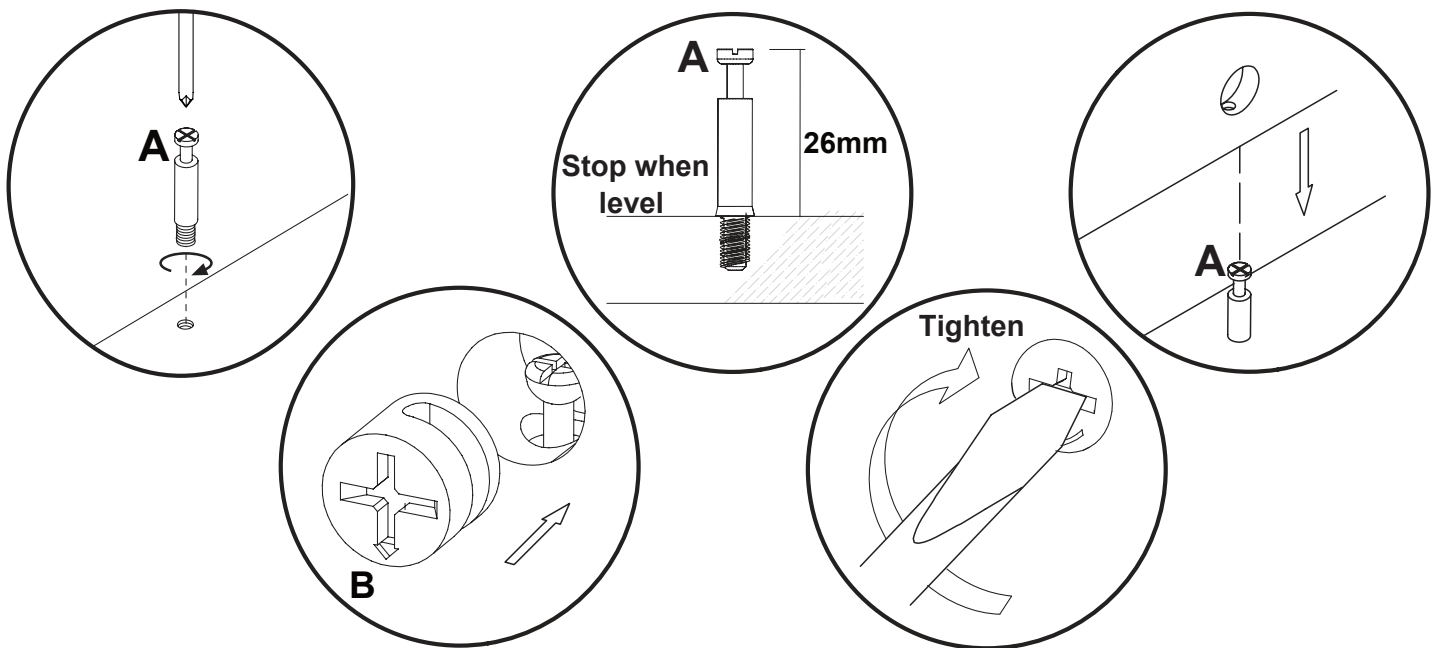
The fittings pack contains small items that should be kept away from children.



All parts are packed in one carton

1	2	3
Description: Top Panel Qty: 1 Size: 920 x 170 x 15 mm Carton No: 1/1	Description: LH Side Panel Qty: 1 Size: 324 x 140 x 15 mm Carton No: 1/1	Description: RH Side Panel Qty: 1 Size: 324 x 140 x 15 mm Carton No: 1/1
4	5	6
Description: Base Panel Qty: 1 Size: 861 x 139 x 15 mm Carton No: 1/1	Description: Divider Panels Qty: 3 Size: 235 x 138 x 15 mm Carton No: 1/1	Description: Back Panel Qty: 1 Size: 893 x 325 x 15 mm Carton No: 1/1

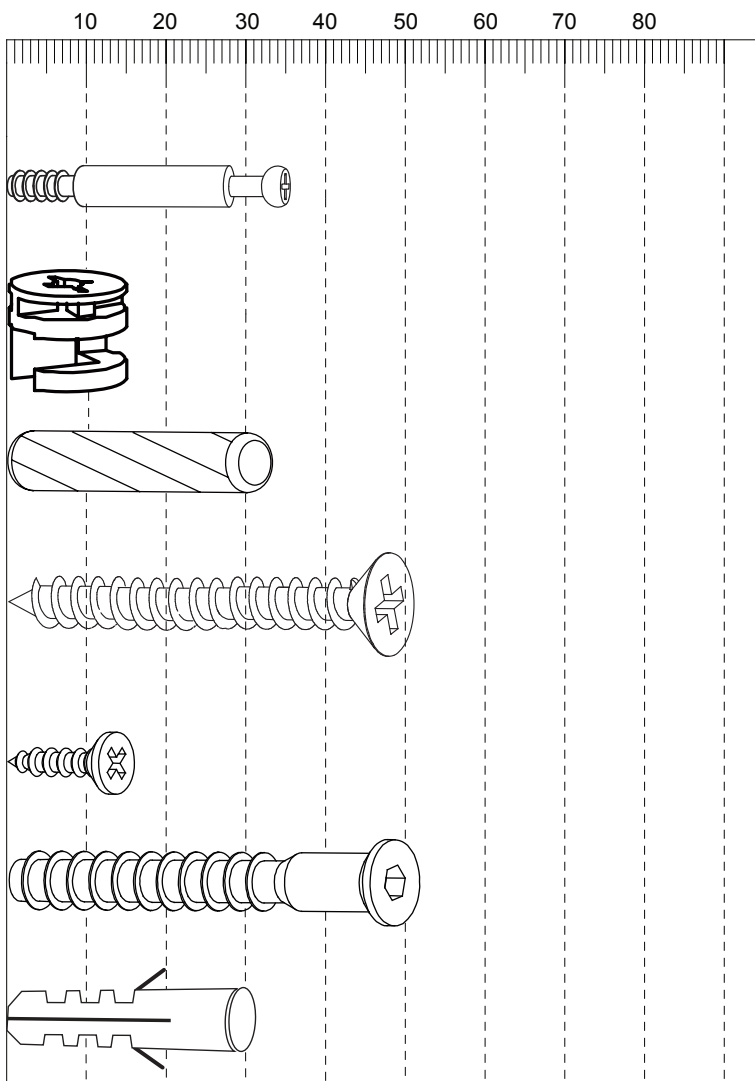
General Hints & Tips



KEMPTON COAT RACK WITH STORAGE ASSEMBLY INSTRUCTIONS

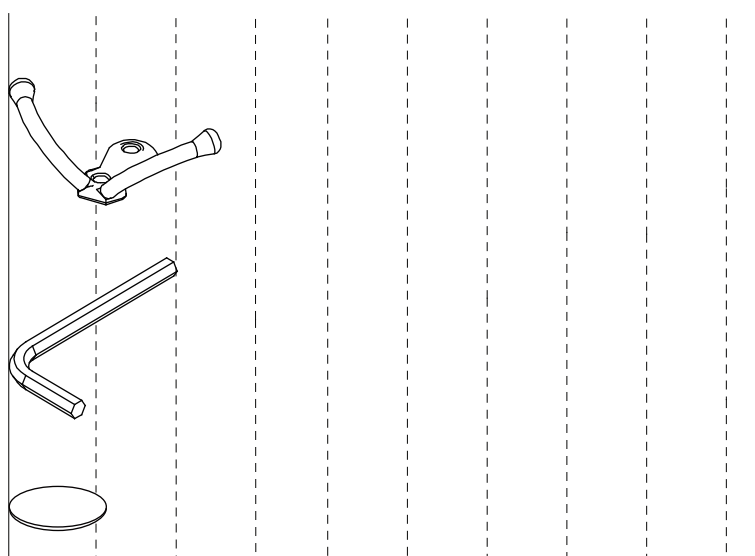
Fittings (to scale)

Code	Item	Quantity
A	Cam Bolt (35mm overall)	4
B	Cam Lock	4
C	Dowel (8x30mm)	12
D	Screw for Fitting unit to suitable wall (4x50mm)	2
E	Screw for Fitting Clothes Hook (3x12mm)	8
F	Carcass Screw for Fitting Back Panel (M7x50mm)	13
G	Expanding Plug for Fitting unit to wall (6x30mm)	2

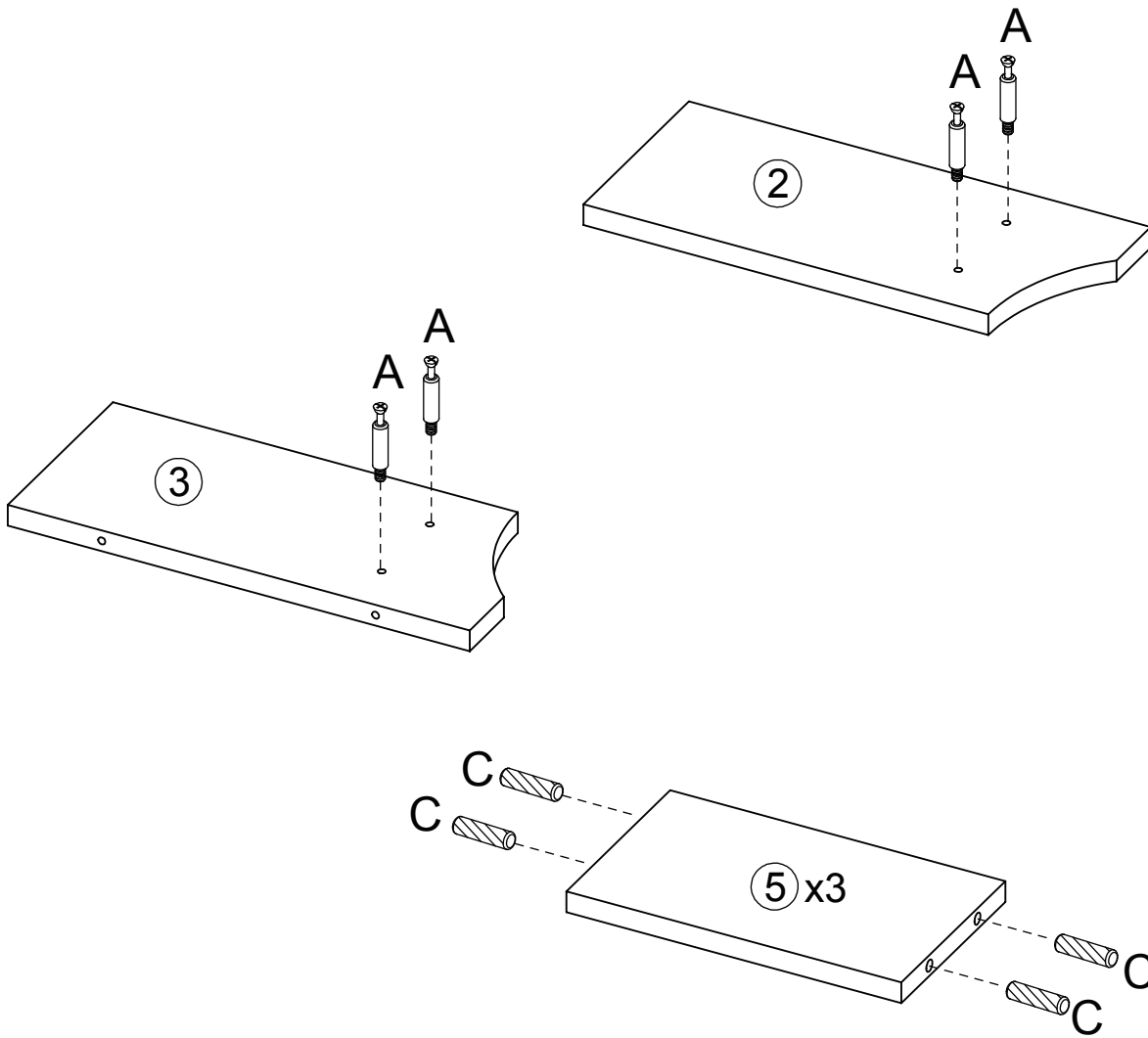


Fittings (not to scale)

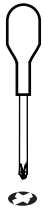
Code	Item	Quantity
H	Clothes - Hook	4
J	Allen Key (4mm)	1
K	Screw Cover	2



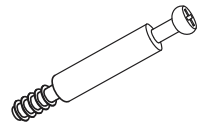
STEP 1



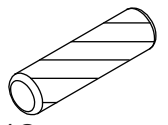
For this step:
Tools required



Fittings required

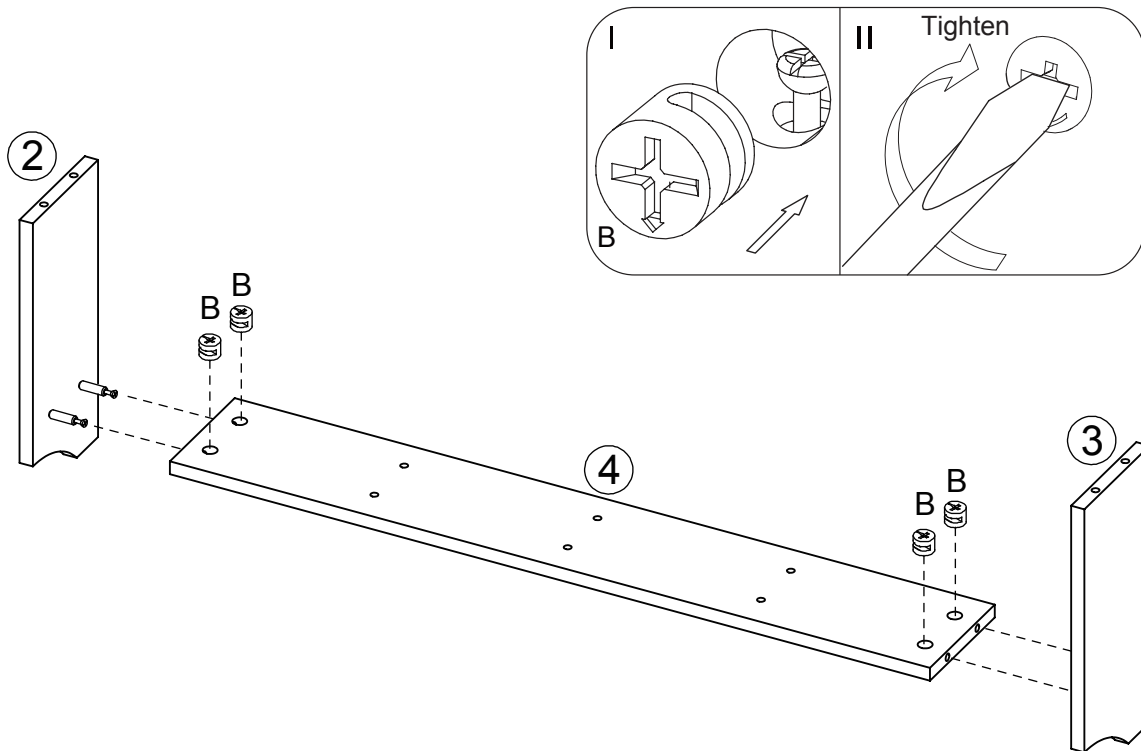


A x4



C x12

STEP 2



For this step:
Tools required

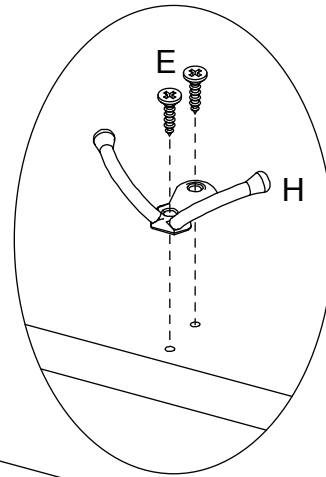
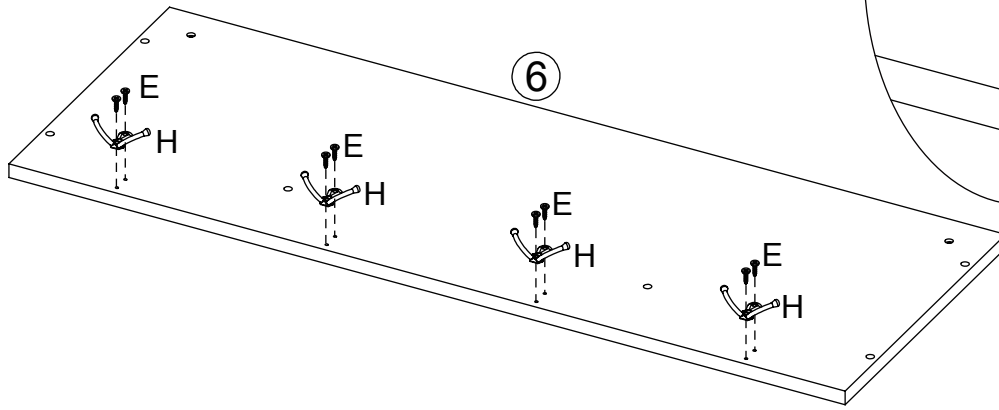


Fittings required



B x4

STEP 3

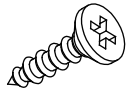


For this step:

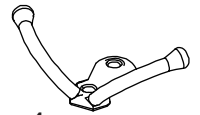
Tools required



Fittings required

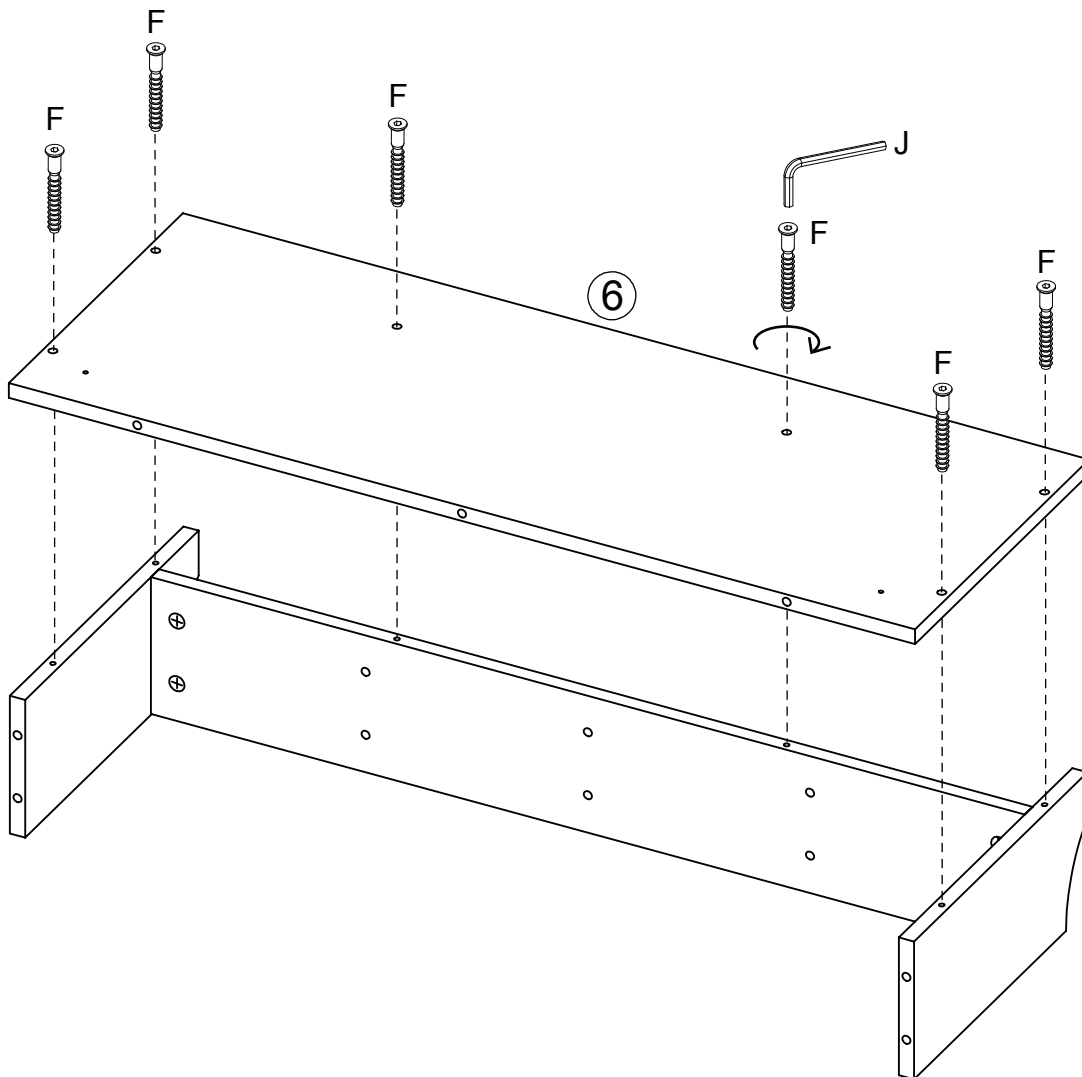


E x8



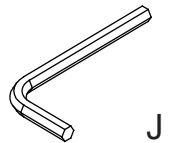
H x4

STEP 4

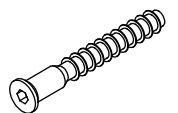


For this step:

Tools required

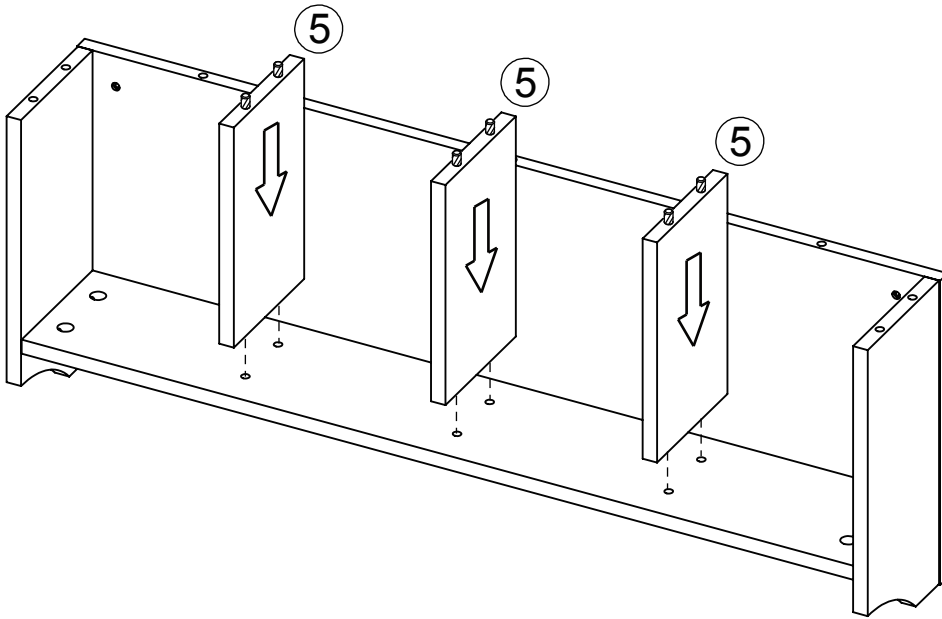


Fittings required



F x6

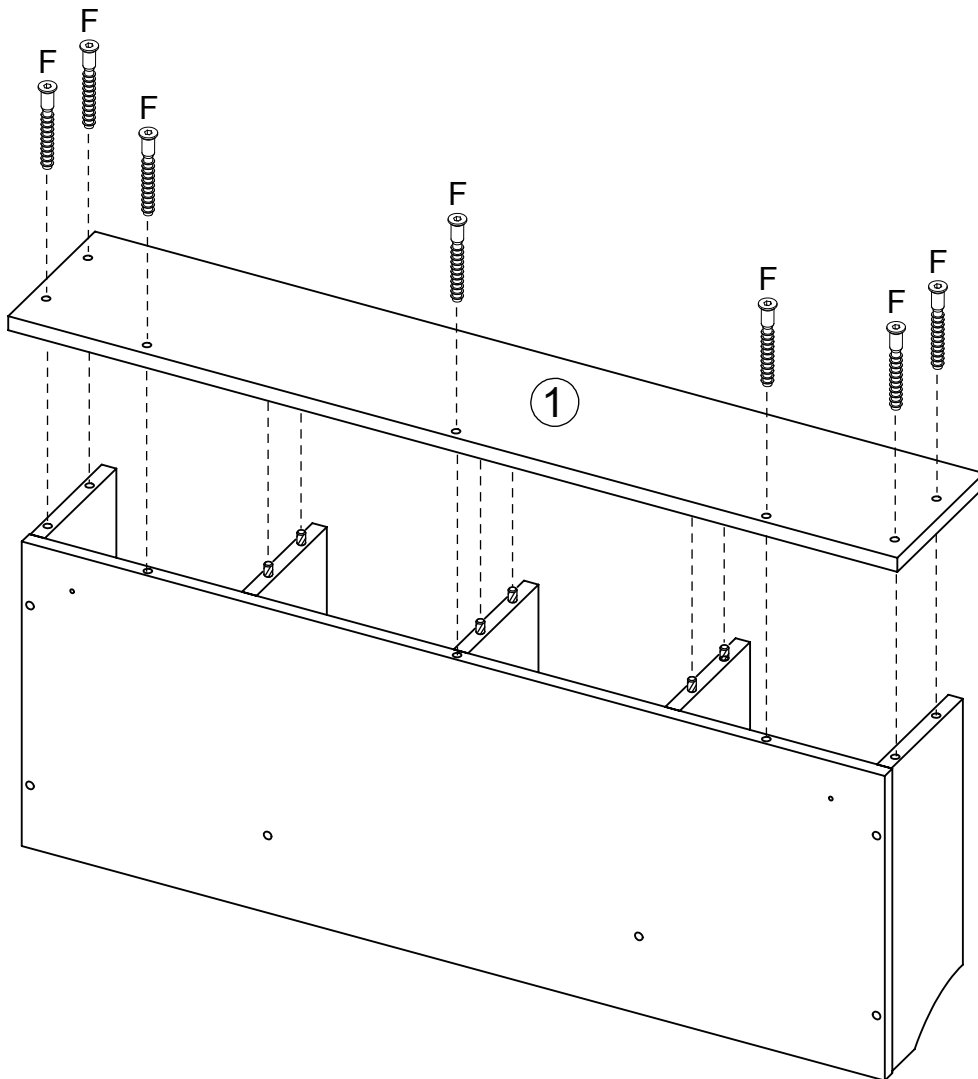
STEP 5



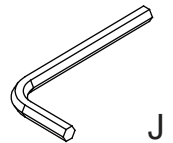
Tools required

Fittings required

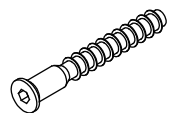
STEP 6



For this step:
Tools required



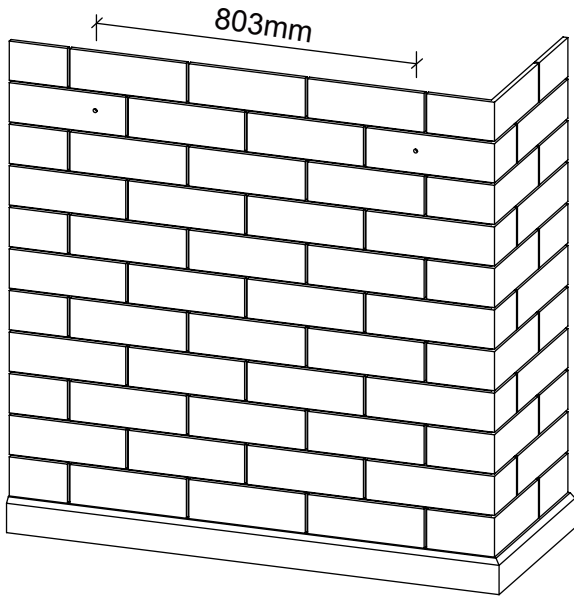
Fittings required



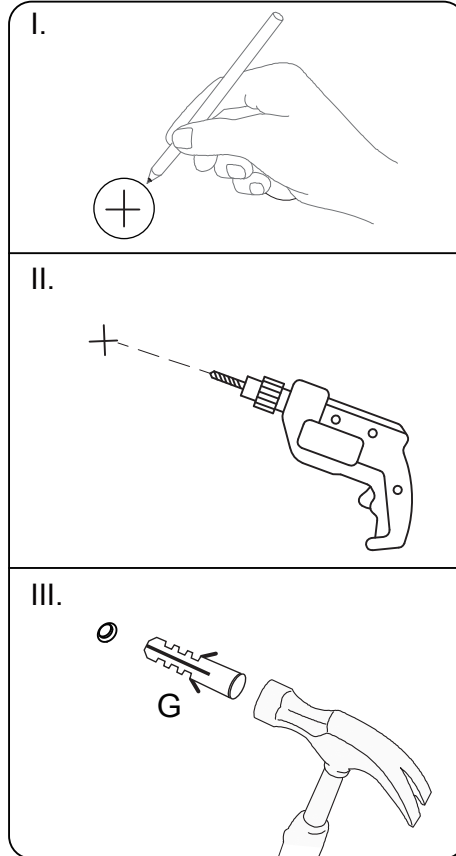
F x7

KEMPTON COAT RACK WITH STORAGE ASSEMBLY INSTRUCTIONS

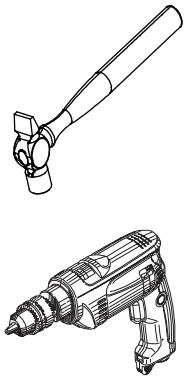
STEP 7



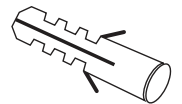
We recommend the use of the wall strap provided to avoid accidents and possible fatal injuries if the item falls or tips over. If in doubt please consult a qualified tradesperson.
 Warning: Always ensure the area to be drilled is free from hidden electrical wires, water and gas pipes.



For this step:
Tools required

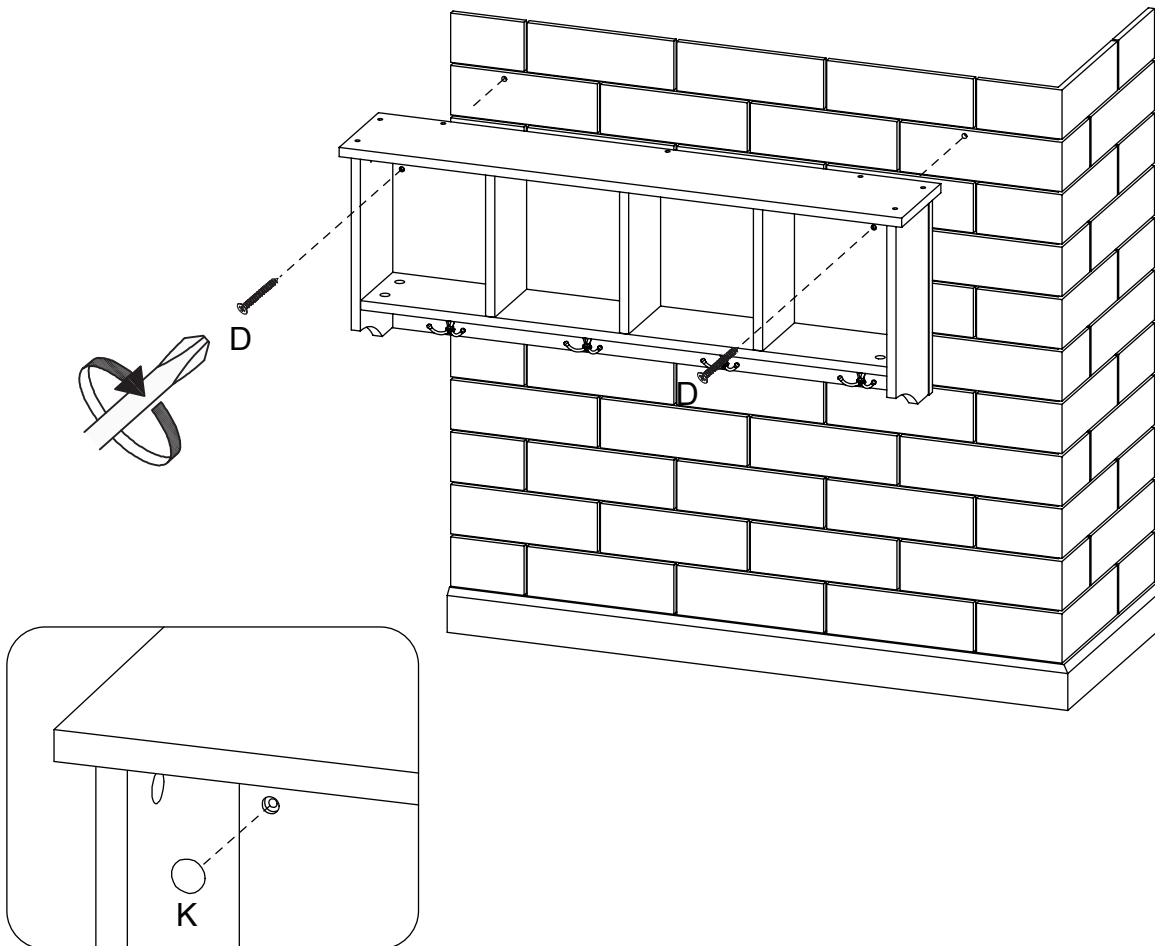


Fittings required

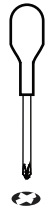


G x2

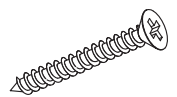
STEP 8



For this step:
Tools required



Fittings required



D x2



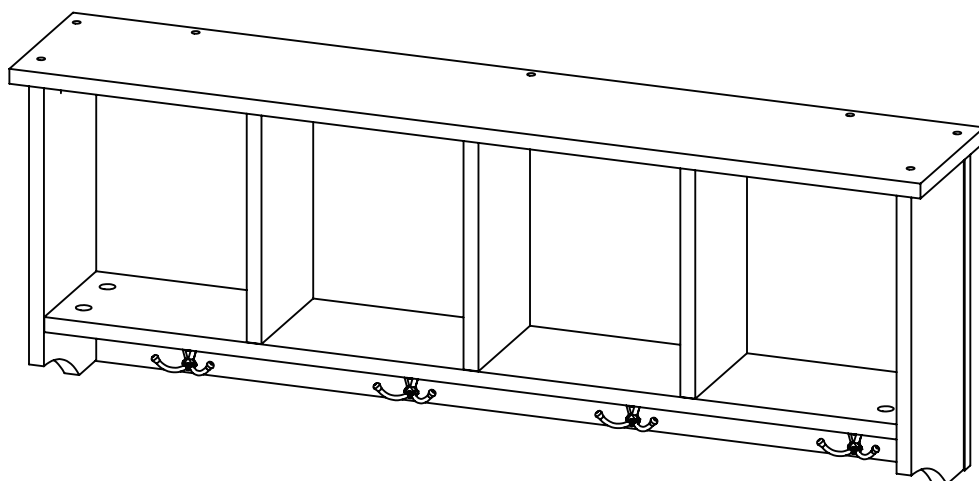
K x2

Assembly Completed

Your Kempton Coat Rack with Storage is now completely assembled.

Periodically check to ensure that the components are in their proper position, free from damage.

Also, make sure the connectors are tight and secure.



Keep instructions for future reference

