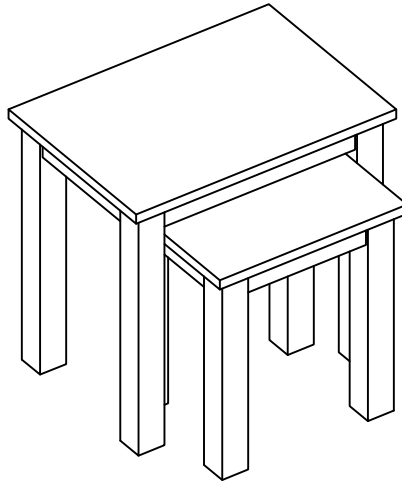


Copenhagen Nest of Tables
ASSEMBLY INSTRUCTIONS



IMPORTANT

PLEASE READ BEFORE YOU CONTINUE FURTHER

PLEASE KEEP THE ORIGINAL PACKAGING UNTIL THE ITEM IS FULLY ASSEMBLED AND IN PLACE . IN THE UNLIKELY EVENT THAT YOU NEED TO RETURN YOUR PRODUCT, IT MUST BE RETURNED IN ITS ORIGINAL PACKAGING TO AVOID FURTHER DAMAGE . FAILURE TO COMPLY TO THESE PROCEDURES, NO RETURN'S WILL BE ACCEPTED .

THE PRODUCT YOU HAVE PURCHASED WILL GIVE YOU MANY YEARS OF SERVICE IF YOU FOLLOW THE GUIDELINES FOR ITS SAFE ASSEMBLY AND PERIODIC MAINTENANCE AND CLEANING .

ASSEMBLE ON A SOFT CLEAN SURFACE .

DO NOT USE ANY TOOLS OTHER THAN THOSE SHOWN .

ANY SPANNERS OR ALLEN KEYS REQUIRED ARE INCLUDED WITH FITTINGS KIT. DO NOT FOR ANY REASON USE A POWER TOOL TO ASSEMBLE THIS PRODUCT. ITS USE WILL INVALIDATE ANY CLAIM YOU MAY HAVE AND COULD MAKE THIS PRODUCT UNSAFE .

DEPENDING ON THE AMOUNT OF USE THIS PRODUCT RECEIVES IT MAY BE NECESSARY TO TIGHTEN UP THE FIXINGS FROM TIME TO TIME.THIS IS COMPLETELY NORMAL FOR ANY FLAT PACK FURNITURE .
DO NOT OVERTIGHTEN FIXINGS.

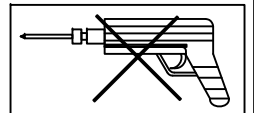
FOR CLEANING , YOU MAY USE A DAMP CLOTH (NOT WET) .
THE SURFACE TO THIS ITEM IS NOT HEAT RESISTANT . ALWAYS USE A PLACE MAT UNDER HOT OR COLD ITEMS TO PREVENT MARKING .

PLEASE DO NOT THROW AWAY ANY PACKAGING UNIT ALL COMPONENTS HAVE BEEN CHECKED.
IF COMPONENTS ARE MISSING PLEASE CONTACT SUPPLIER IMMEDIATELY .

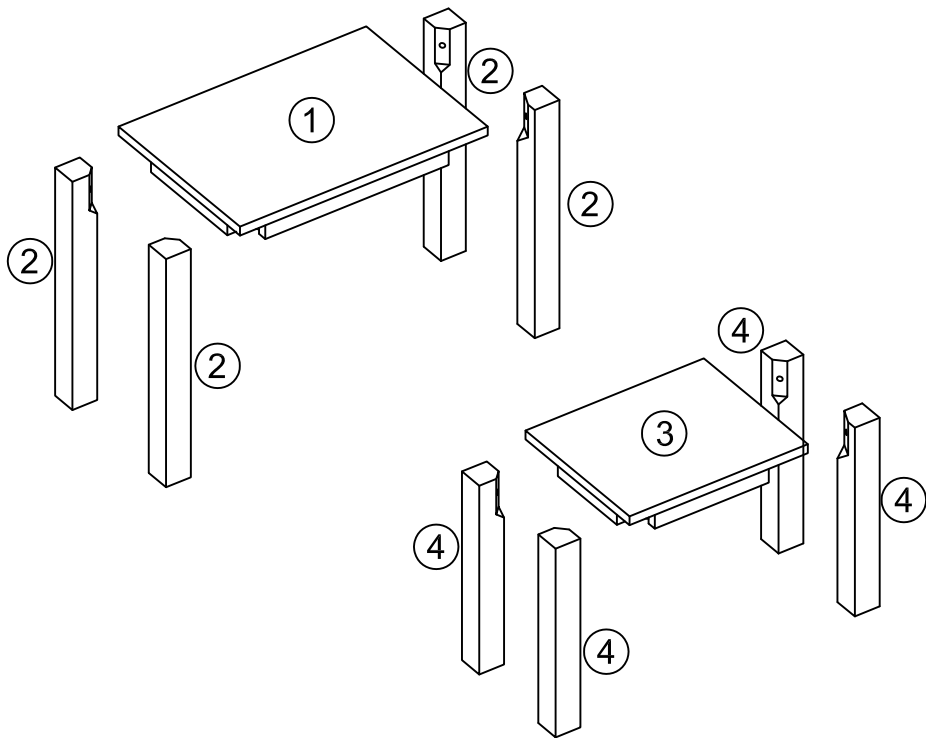
TWO PERSONS REQUIRED TO ASSEMBLE THIS PRODUCT

1. Please check that you have all the parts listed before you start assembling. If you do find that something is missing .do not continue assembly . Please contact your supplier immediately.
2. Lay out all of the components on a soft surface as if you were preparing to do a jigsaw puzzle.
3. Separate and identify each component,from the hardware pack and rest each one in its proper location before fastening.

THE USE OF POWER TOOLS TO ASSEMBLE THIS PRODUCT WILL INVALIDATE ANY CLAIM AND ANY DAMAGE THIS PRODUCT MAKING IT UNSAFE








PARTS LIST

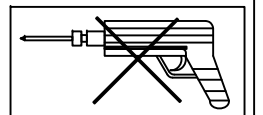


1	TABLE TOP(large)	1PC
2	LEG	4PCS
3	TABLE TOP(small)	1PC
4	SHORT LEG	4PCS

HARDWARE LIST






A		BOLT	8PCS
B		SPRING WASHER	8PCS
C		FLAT WASHER	8PCS
D		ALLEN KEY	1PC
E		FELT PAD	8PCS

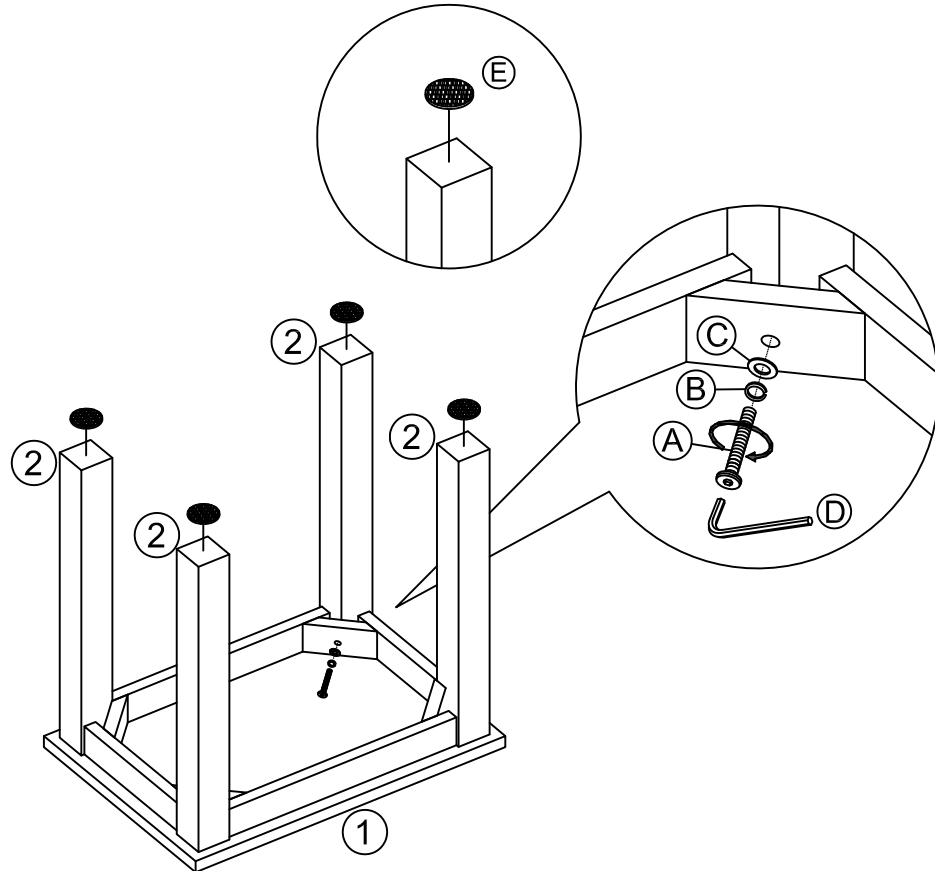
THE USE OF POWER TOOLS TO ASSEMBLE THIS PRODUCT WILL INVALIDATE ANY CLAIM AND ANY DAMAGE THIS PRODUCT MAKING IT UNSAFE



STEP 1





You will need:

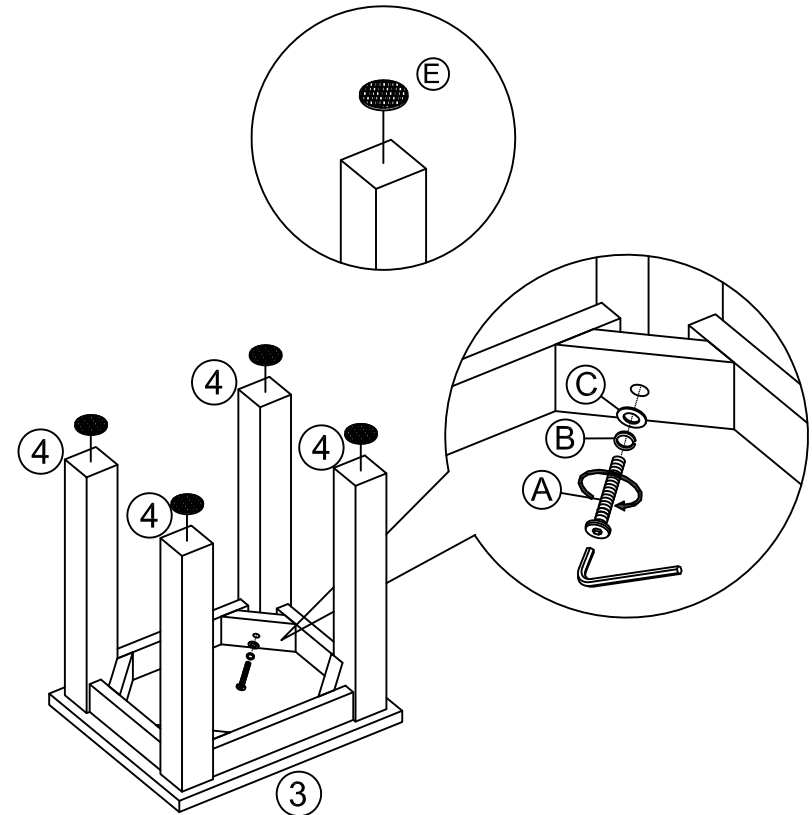
A		4PCS
B		4PCS
C		4PCS
D		1PC
E		4PCS



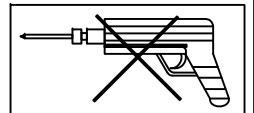
STEP 2

You will need:

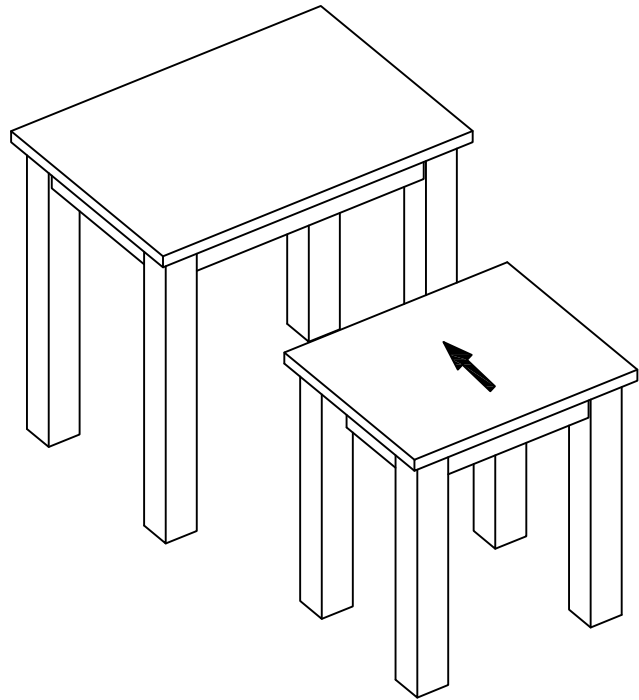
A		4PCS
B		4PCS
C		4PCS
E		4PCS



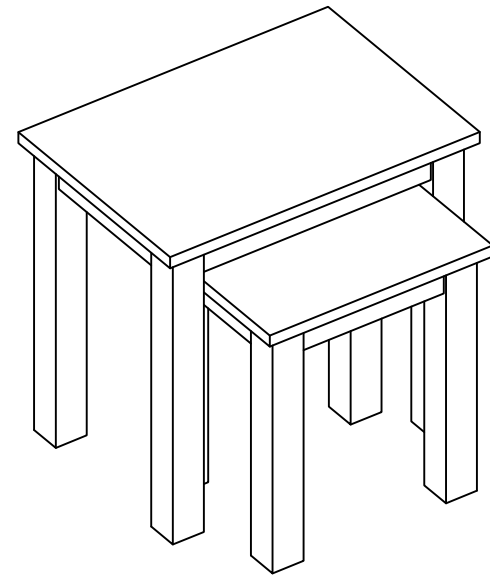
THE USE OF POWER TOOLS TO ASSEMBLE THIS PRODUCT WILL INVALIDATE ANY CLAIM AND ANY DAMAGE THIS PRODUCT MAKING IT UNSAFE



STEP 3



STEP 4



THE USE OF POWER TOOLS TO ASSEMBLE THIS PRODUCT WILL INVALIDATE ANY CLAIM AND ANY DAMAGE THIS PRODUCT MAKING IT UNSAFE

