

PE707



30 min

Thank you for choosing this furniture.

BEFORE YOU START ASSEMBLY please store the carton for 48 hours or more so the contents can acclimatise.
PLEASE RETAIN ALL PACKING UNTIL YOU HAVE COMPLETED ASSEMBLY.

Information about your furniture.

This furniture range has been carefully crafted from solid wood, MDF and natural stone.

Each piece is hand crafted and has unique characteristics in its finish. These are part of the natural character of the furniture itself.

Caring for your furniture.

Extreme temperature can cause slight movements in the wood framework so please avoid placing your furniture close to radiators or other direct sources of heat. Please avoid exposing your furniture to continued bright sunlight as this can affect the colour.

Any fluid spills should be removed as quickly as possible. Always lift your furniture when moving as dragging may cause damage to your furniture or flooring. Always use place mats, coasters or tablecloths to help protect against scratches and accidentally dropped items.

Always use heat resistant mats when placing hot or cold items on to table surfaces.

Do not sit or stand on stone surfaces.

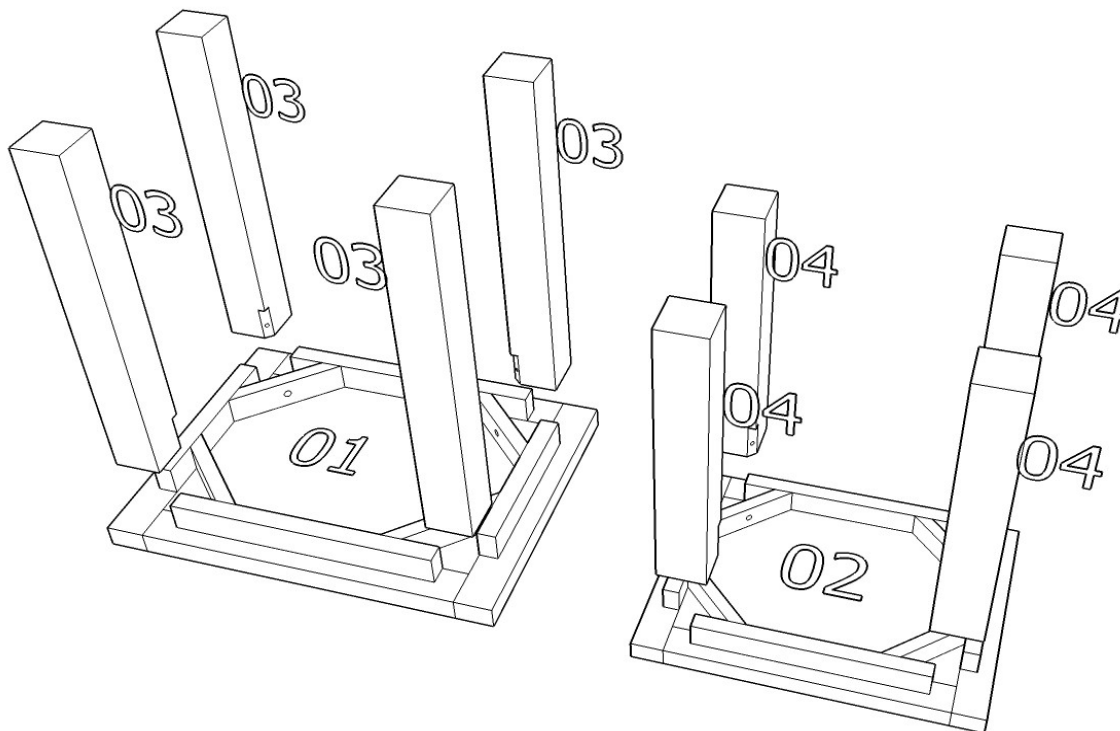
After care.

Wipe all surfaces with a dry cloth and the occasional use of a normal household furniture polish.

For furniture with drawers we also recommend you use household spray polish occasionally on the drawer side grooves and runners as this will aid use. Please do not use detergents or chemicals on your furniture.

Specialist care.

Natural stone can be marked with continual use by contact with rough surfaced objects or strong coloured fluids. If you have concerns about this we would advise seeking advice from stone specialists who can apply specialised stone sealant treatments.



A = x8
Screw



B = x1
Allen Key

BEFORE YOU START ASSEMBLY

Please check that you have all the correct parts and fittings as detailed on the assembly instructions.

FOR DAMAGED/REPLACEMENT PARTS

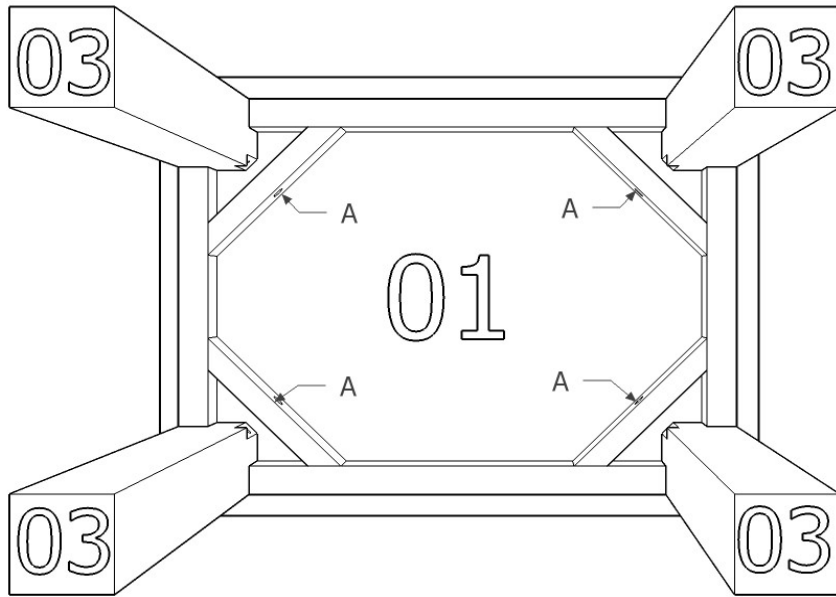
Please visit www.coreproducts.co.uk/parts

Batch Number:

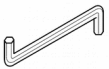
PLEASE RETAIN THIS LEAFLET ALONG WITH YOUR DELIVERY NOTE/RECEIPT FOR FUTURE REFERENCE

1

Tip: during assembly
place unit onto a work
surface with a clean cover



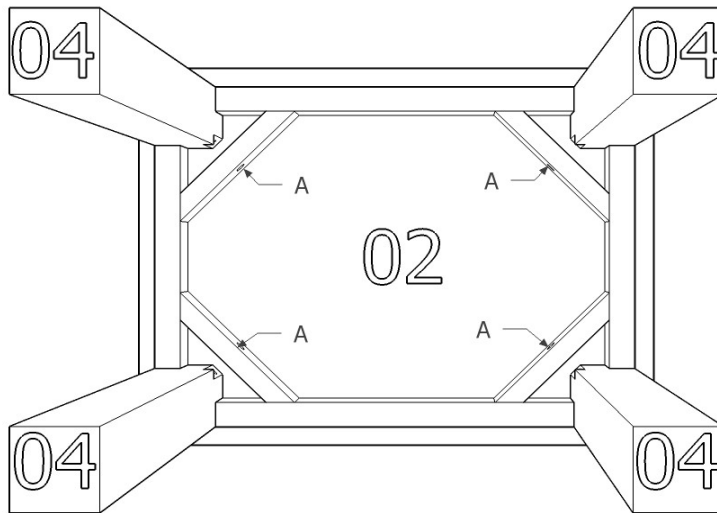
**A = x4
Screw**



**B = x1
Allen Key**

2

Tip: during assembly
place unit onto a work
surface with a clean cover



**A = x4
Screw**



**B = x1
Allen Key**