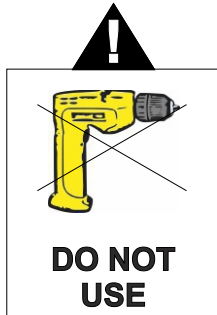


ALBANY 3' BUNK BED ASSEMBLY INSTRUCTIONS



IMPORTANT

PLEASE READ BEFORE YOU CONTINUE FURTHER FOR DOMESTIC USE ONLY **CARE AND MAINTENANCE**

WARNING "High beds and the upper bed of bunk beds are not suitable for children under the age of six years due to the risk of injury from falls";

WARNING "Bunk beds and high beds can present a serious risk of injury from strangulation if not used correctly. Never attach or hang items to any part of the bunk bed that are not designed to be used with the bed, for example, but not limited to ropes, strings, cords, hooks, belts and bags";

WARNING "Children can become trapped between the bed and the wall, a roof pitch, the ceiling, adjoining pieces of furniture (e.g. cupboards) and the like. To avoid risk of serious injury the distance between the top safety barrier and the adjoining structure shall not exceed 75mm or shall be more than 230mm";

WARNING Do not use the bunk bed/high bed if any structural part is broken or missing;

The recommended mattress size for this bunk bed is 1900mm x 915mm x 150mm

The maximum mattress height is 160mm.

The maximum mattress height is clearly marked on the bunk bed and **MUST NOT BE EXCEEDED.**

Depending on the amount of use this product receives it may be necessary to tighten up the fixings from time to time, this is completely normal for all flat pack furniture. **DO NOT OVER TIGHTEN FIXINGS.**

Do not for any reason use a power tool to assemble this product.

Two persons are required to assemble this bunk bed.

Assemble as close to its final position as possible.

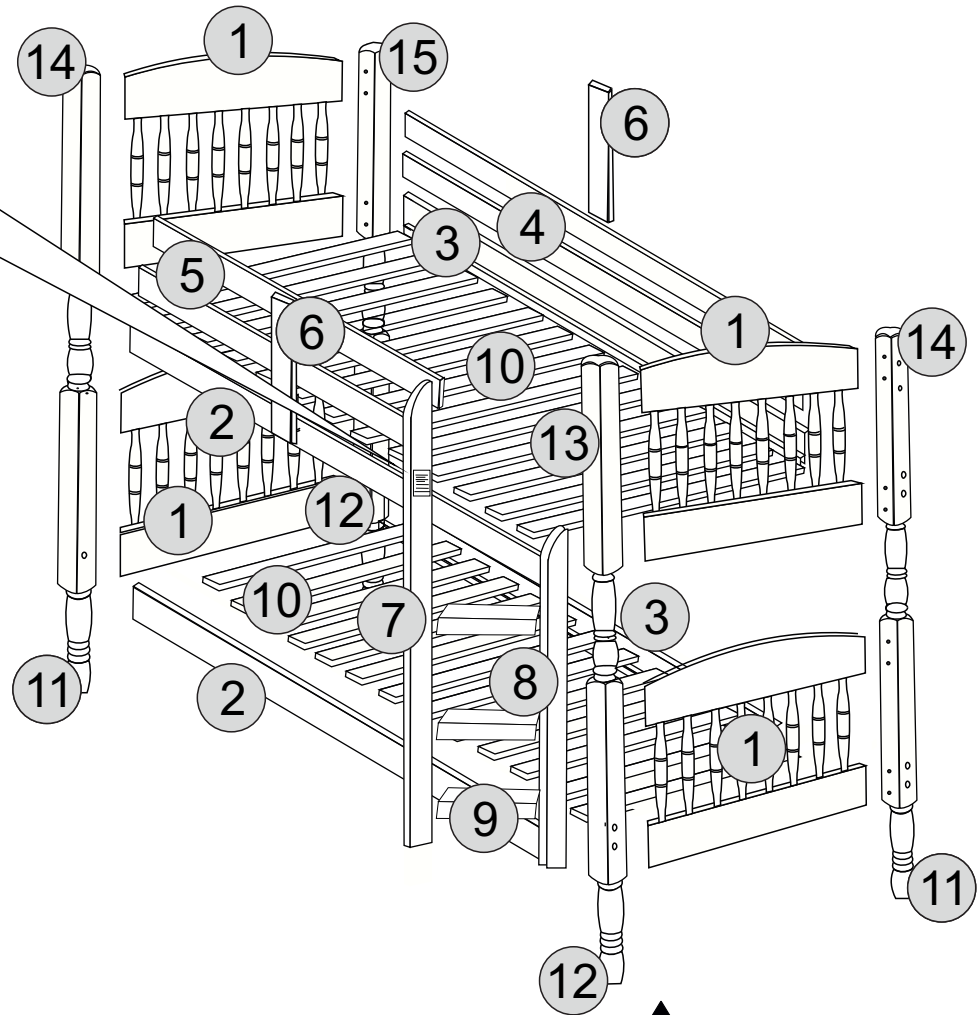
Assemble on a soft clean surface.

For cleaning you may use a damp cloth (not wet).

The room in which the bed is positioned should be ventilated to prevent mould in and around the bed.

This bunk bed is manufactured to conform to BS EN 747:2012+A1:2015

**NOTE:
SAFE HEIGHT
MATTRESS
STICKER
MUST NOT BE
REMOVED**



*** Use of power tools to assemble this product will invalidate any claim and damage this product making it unsafe !!!**
*** Please assemble on a clean soft surface to avoid damage.**

*** Please check contents and read the instructions before commencing assembly.**
*** Assemble this product following the enclosed instructions carefully.**
*** Please take care to avoid damaging panels during assembly.**

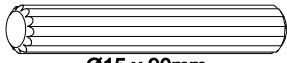





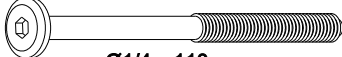



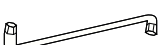
PARTS LIST

Please Note:

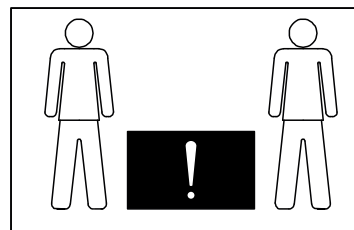
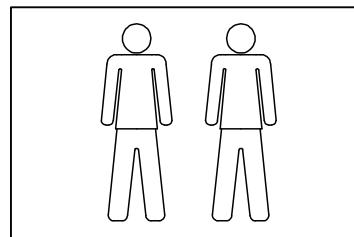
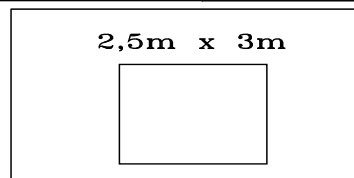
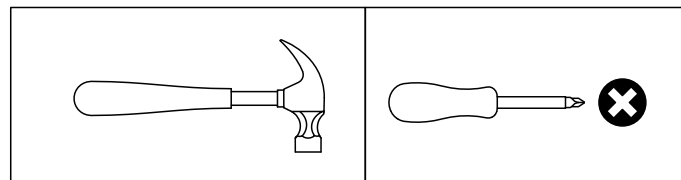
The below highlighted parts have all been stamped with the part number to help identify them during assembly.

Part Number	Part Code	Part Description	Quantity	Carton
1	S200-205-001-LT1-01	Headboard Panels	4	1/4
2	S200-205-001-LT1-02	Ladder Side Siderail	2	3/4
3	S200-205-001-LT1-03	Siderail	2	3/4
4	S200-205-001-LT1-04	Long Safety-Rail	2	3/4
5	S200-205-001-LT1-05	Short Safety-Rail	2	3/4
6	S200-205-001-LT1-06	Support Brace	2	3/4
7	S200-205-001-LT1-07	Long Ladder Upright	1	3/4
8	S200-205-001-LT1-08	Short ladder Upright	1	3/4
9	S200-205-001-LT1-09	Ladder Step	3	3/4
10	S200-205-001-LT1-10	Slats	28	4/4
11	S200-205-001-LT1-11	Lower Right Post	2	2/4
12	S200-205-001-LT1-12	Lower Left Post	2	2/4
13	S200-205-001-LT1-13	Upper Ladder Post	1	2/4
14	S200-205-001-LT1-14	Upper Right hand Post	2	2/4
15	S200-205-001-LT1-15	Upper Left Post	1	2/4

FITTINGS

A	 Ø15 x 90mm	4	G	 Ø7 x 50mm	12
B	 Ø10 x 50mm	36	H	 Ø3.5 x 30mm	64
C	 Ø7 x 100mm	30	I	 Ø4 x 35mm	6
D	 Ø1/4 x 110mm	8	J	 SPACER	2
E		8	K		2
F	 Allen key	1			

TOOLS REQUIRED

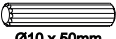



STEP 1

PARTS REQUIRED

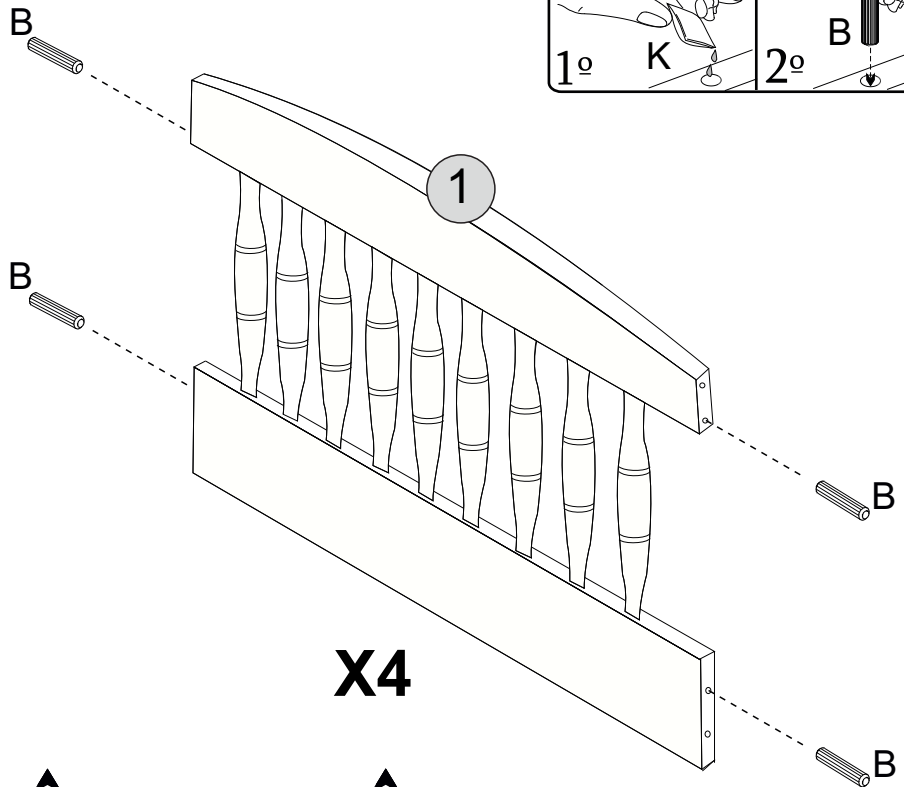
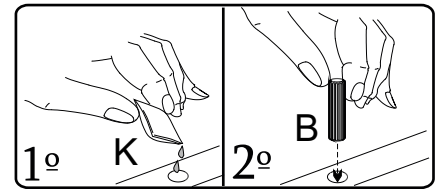
1 - HEADBOARD PANELS x2

HARDWARE REQUIRED

B  16
Ø10 x 50mm

K  01

TOOLS REQUIRED



X4



Please assemble on a clean soft surface to avoid damage.



Glue must be added to the dowel holes on part 1.

STEP 2

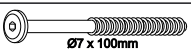
PARTS REQUIRED

1 - HEADBOARD PANELS x2

11 - LOWER RIGHT POST x2

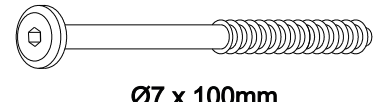
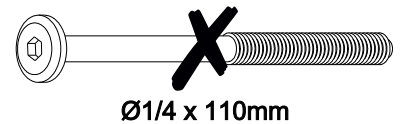
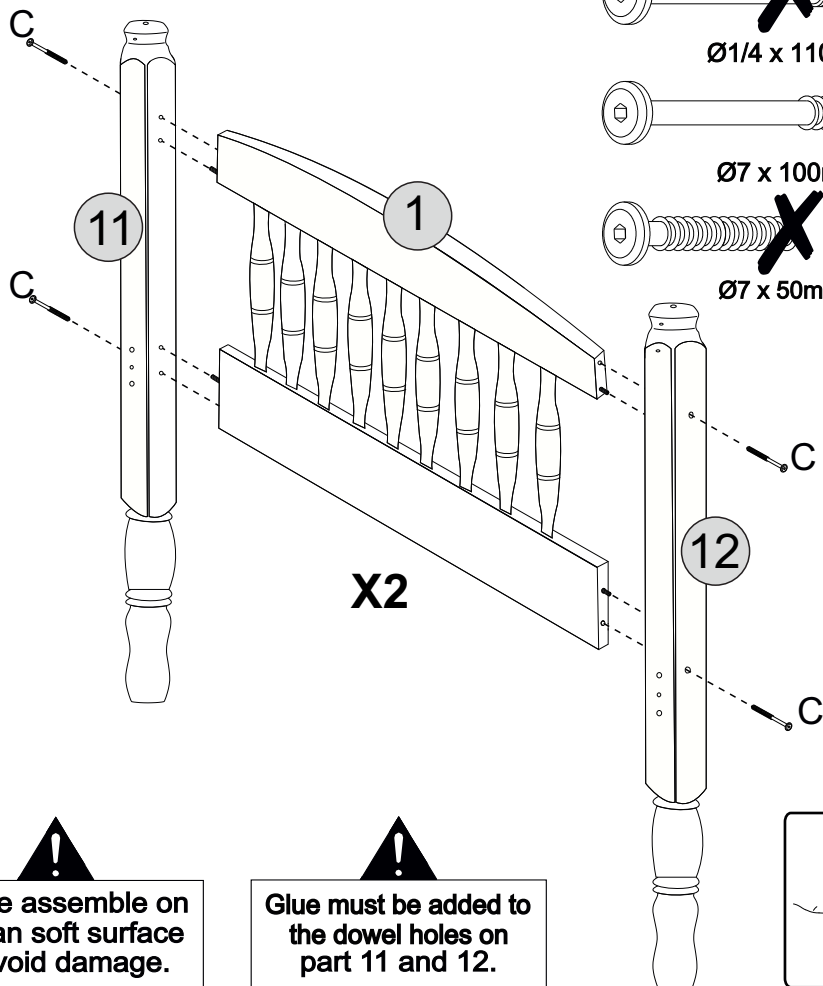
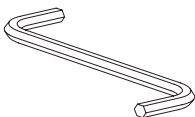
12 - LOWER LEFT POST x2

HARDWARE REQUIRED

C  08
Ø7 x 100mm

K  01

TOOLS REQUIRED



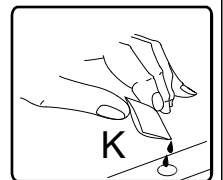
X2



Please assemble on a clean soft surface to avoid damage.



Glue must be added to the dowel holes on part 11 and 12.

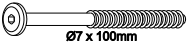



STEP 3

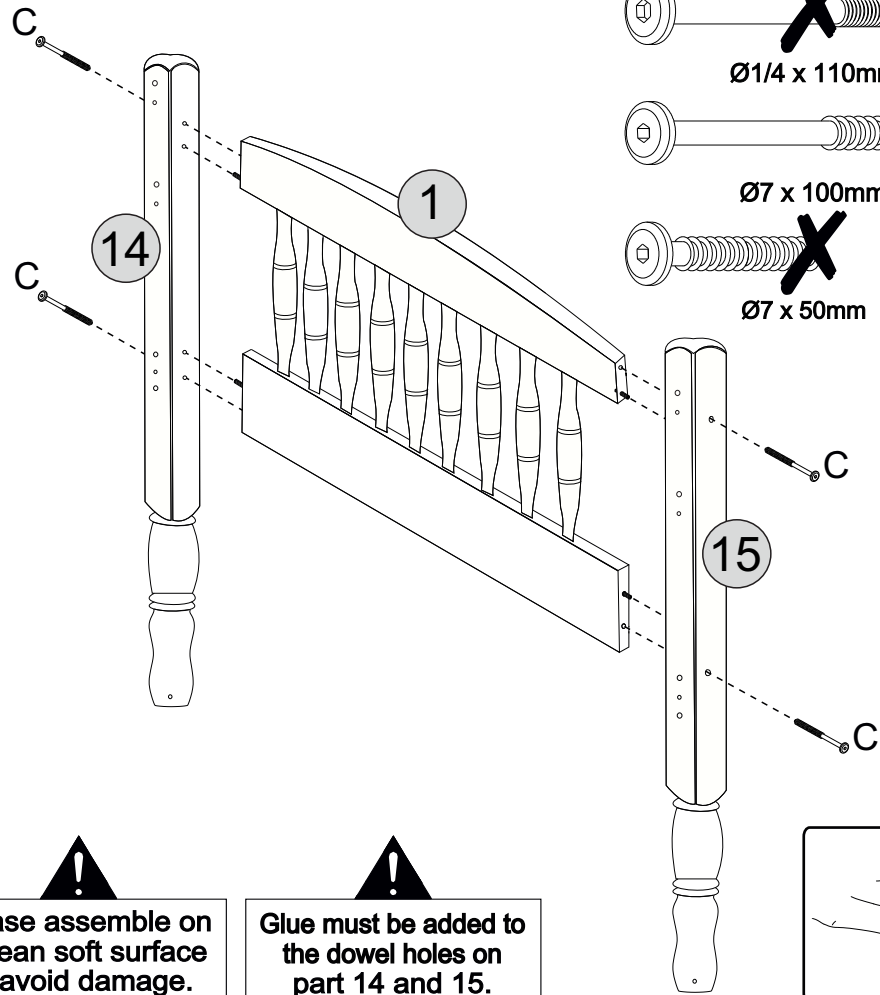
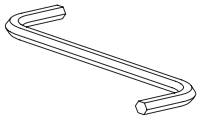
PARTS REQUIRED

- 1 - HEADBOARD PANELS x1
- 14 - UPPER RIGHT HAND POST x1
- 15 - UPPER LEFT POST x1

HARDWARE REQUIRED

- C  04
Ø7 x 100mm
- K  01

TOOLS REQUIRED

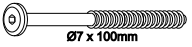



STEP 4

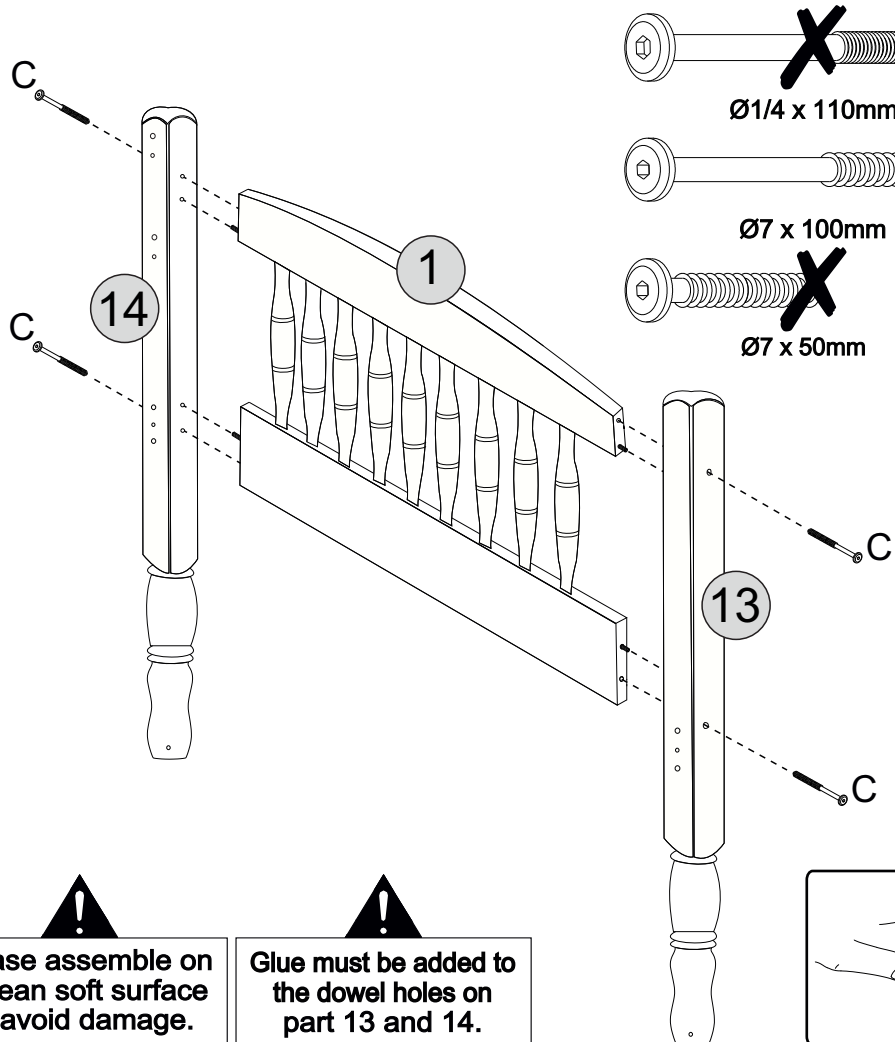
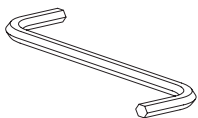
PARTS REQUIRED

- 1 - HEADBOARD PANELS x1
- 13 - UPPER LADDER POST x1
- 14 - UPPER RIGHT HAND POST x1

HARDWARE REQUIRED

- C  04
Ø7 x 100mm
- K  01

TOOLS REQUIRED

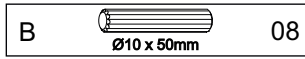


STEP 5

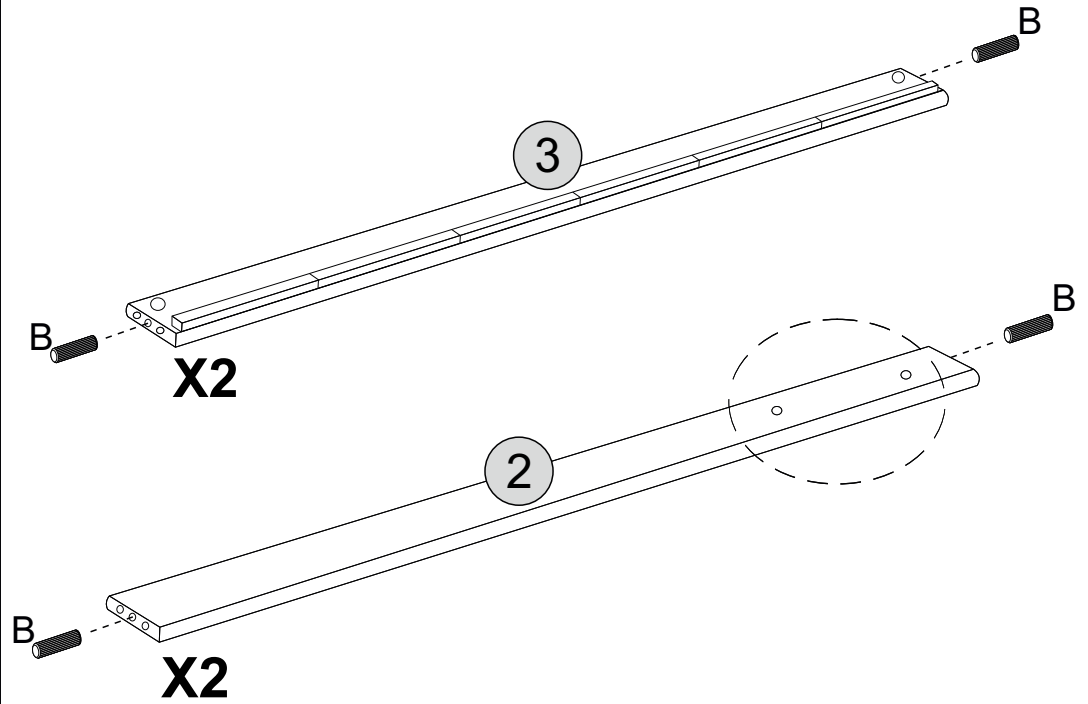
PARTS REQUIRED

- 2 - LADDER SIDE SIDERAIL x2
- 3 - SIDERAIL x2

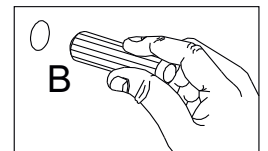
HARDWARE REQUIRED



TOOLS REQUIRED



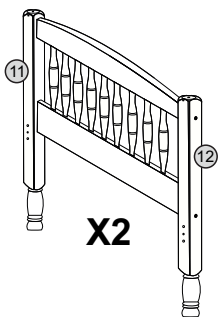
!
Please assemble on a clean soft surface to avoid damage.



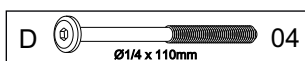
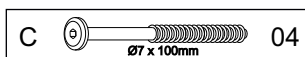
STEP 6

PARTS REQUIRED

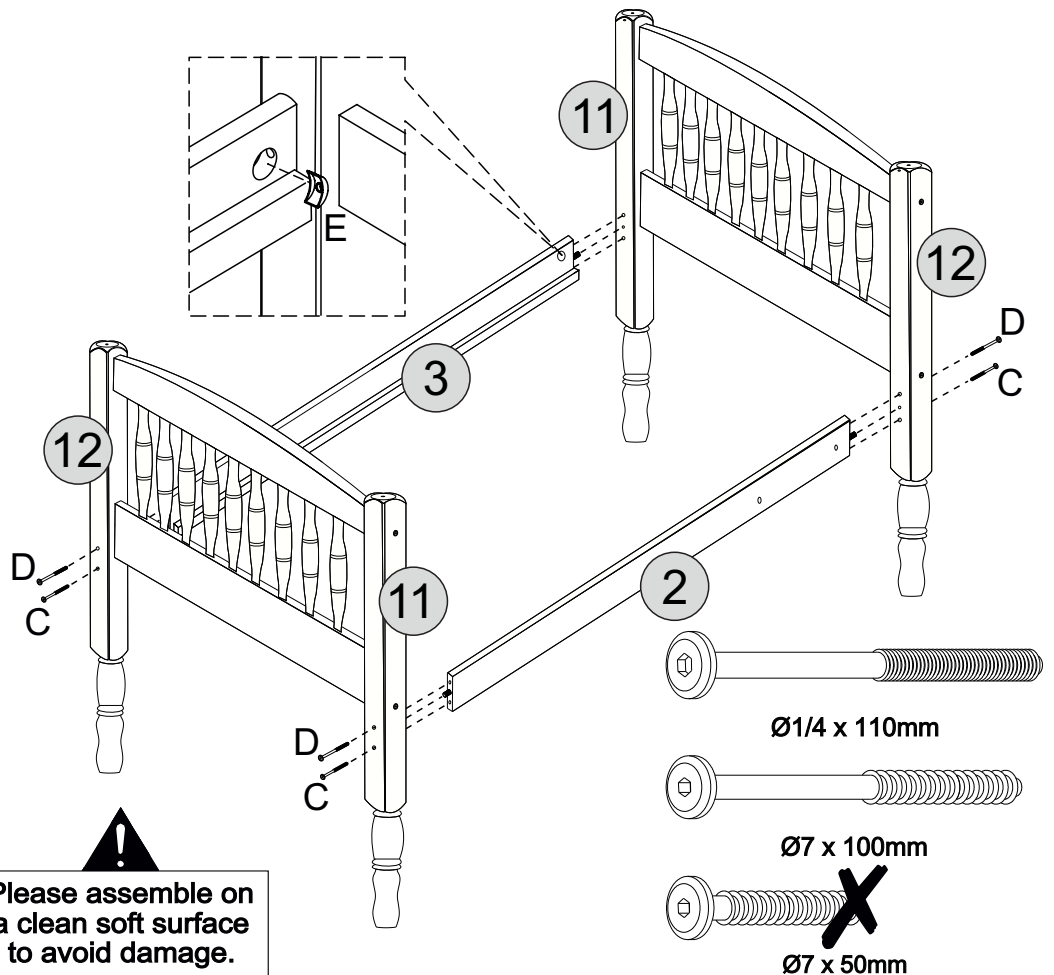
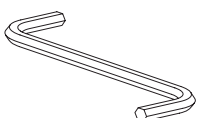
- 2 - LADDER SIDE SIDERAIL x1
- 3 - SIDERAIL x1



HARDWARE REQUIRED



TOOLS REQUIRED



!
Please assemble on a clean soft surface to avoid damage.


STEP 7

PARTS REQUIRED

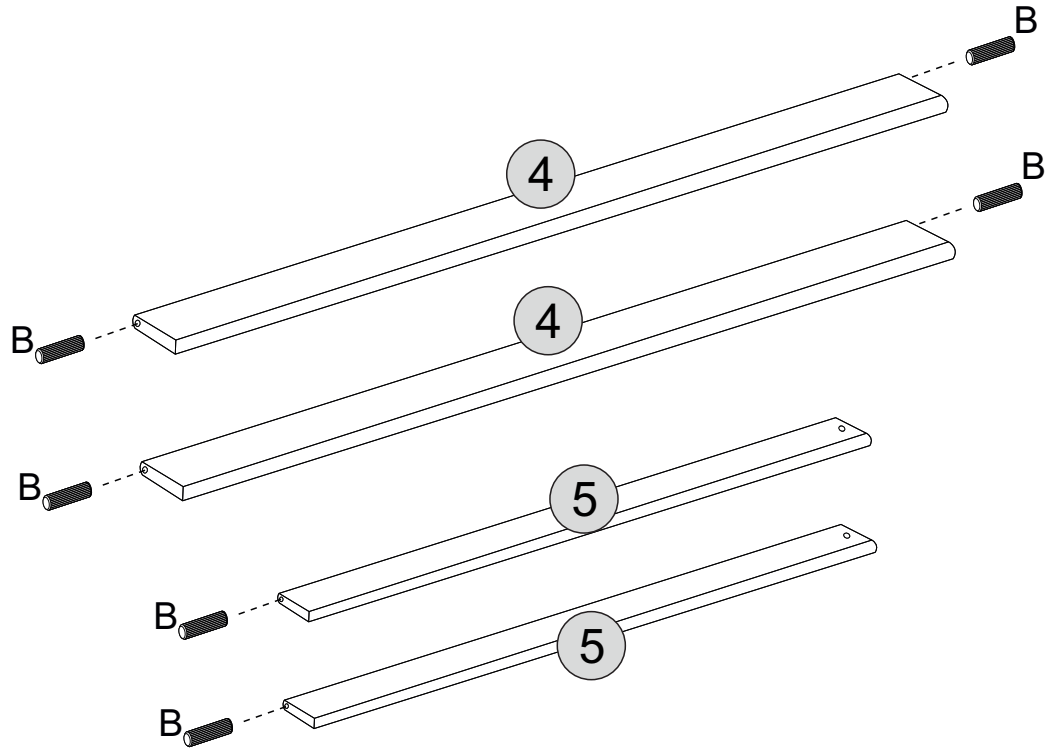
4 - LONG SAFETY-RAIL x2

5 - SHORT SAFETY-RAIL x2

HARDWARE REQUIRED

B  06
Ø10 x 50mm

TOOLS REQUIRED



!
Please assemble on a clean soft surface to avoid damage.

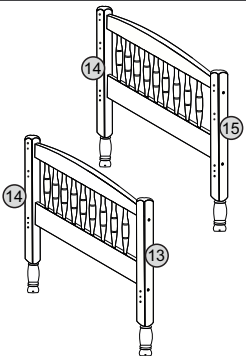
STEP 8

PARTS REQUIRED

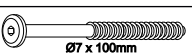
2 - LADDER SIDE SIDERAIL x1

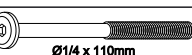
3 - SIDE RAIL x1


4 - LONG SAFETY-RAIL x2



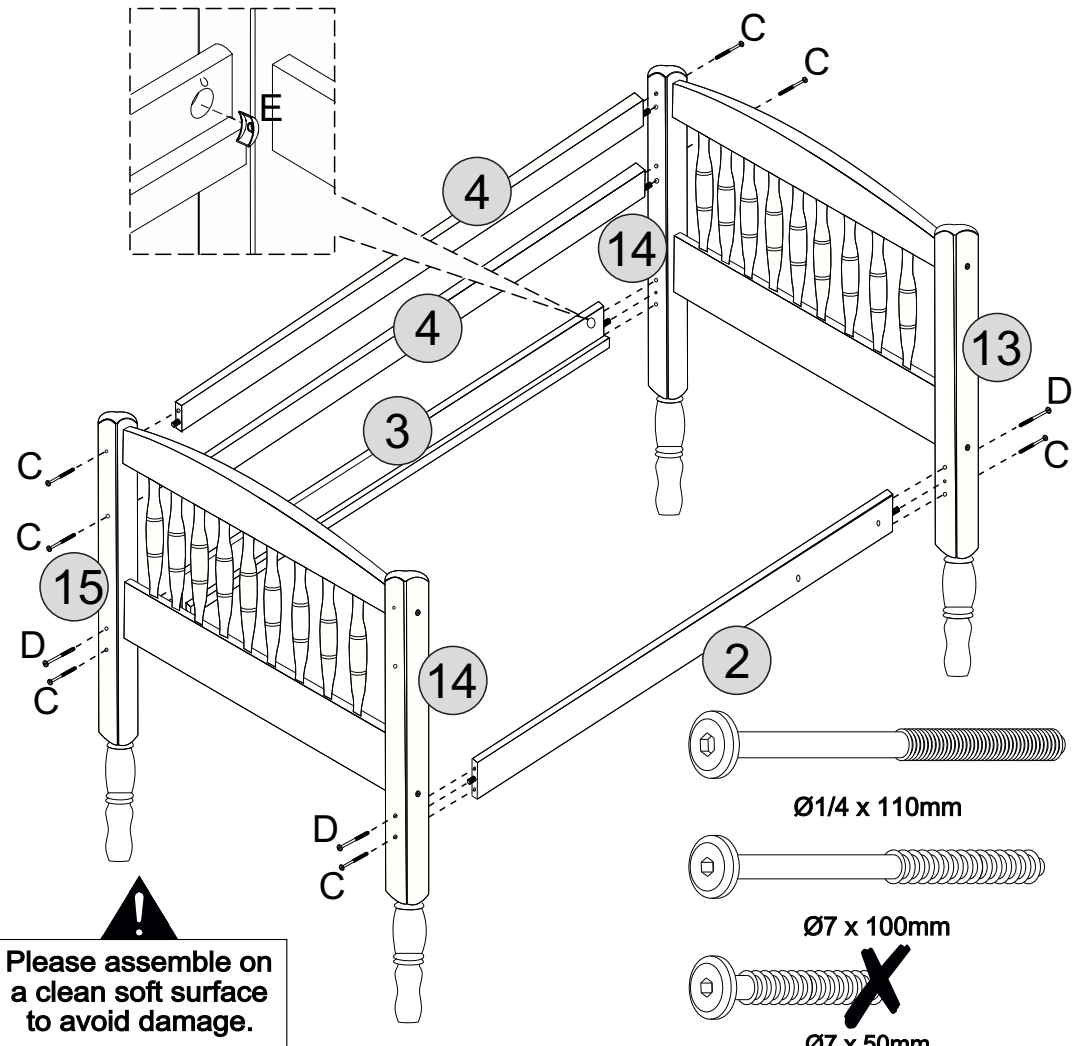
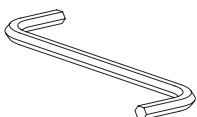
HARDWARE REQUIRED

C  04
Ø7 x 100mm

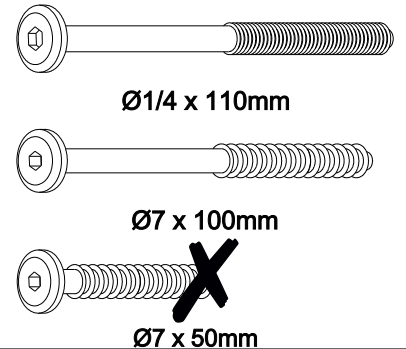
D  04
Ø1/4 x 110mm

E  04
1/4

TOOLS REQUIRED



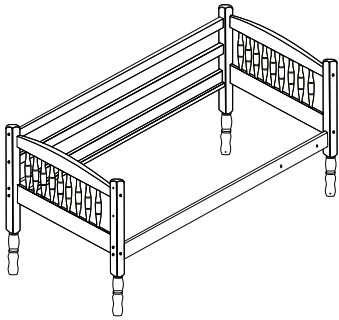
!
Please assemble on a clean soft surface to avoid damage.



STEP 9

PARTS REQUIRED

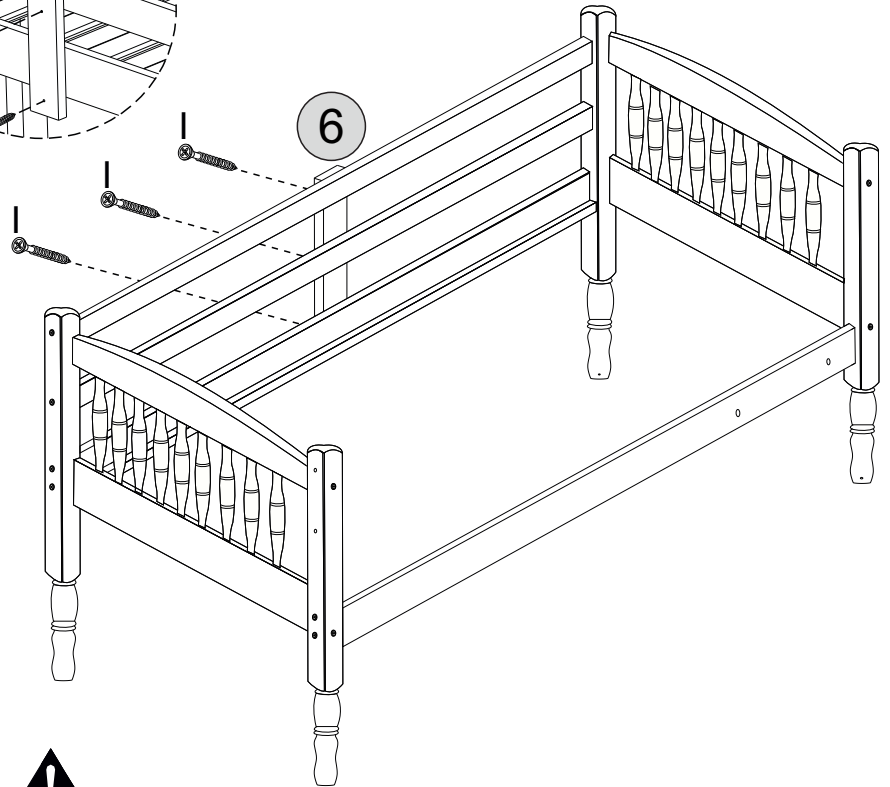
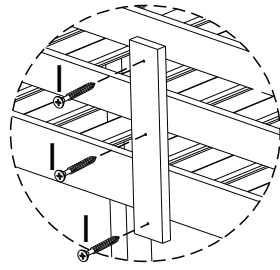
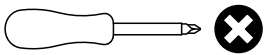
6 - SUPPORT BRACE x1



HARDWARE REQUIRED

I  03
Ø4 x 35mm

TOOLS REQUIRED

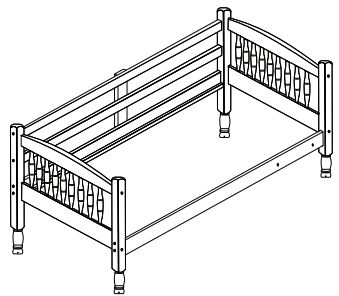


!
Please assemble on a clean soft surface to avoid damage.


STEP 10

PARTS REQUIRED

10 - SLATS x14

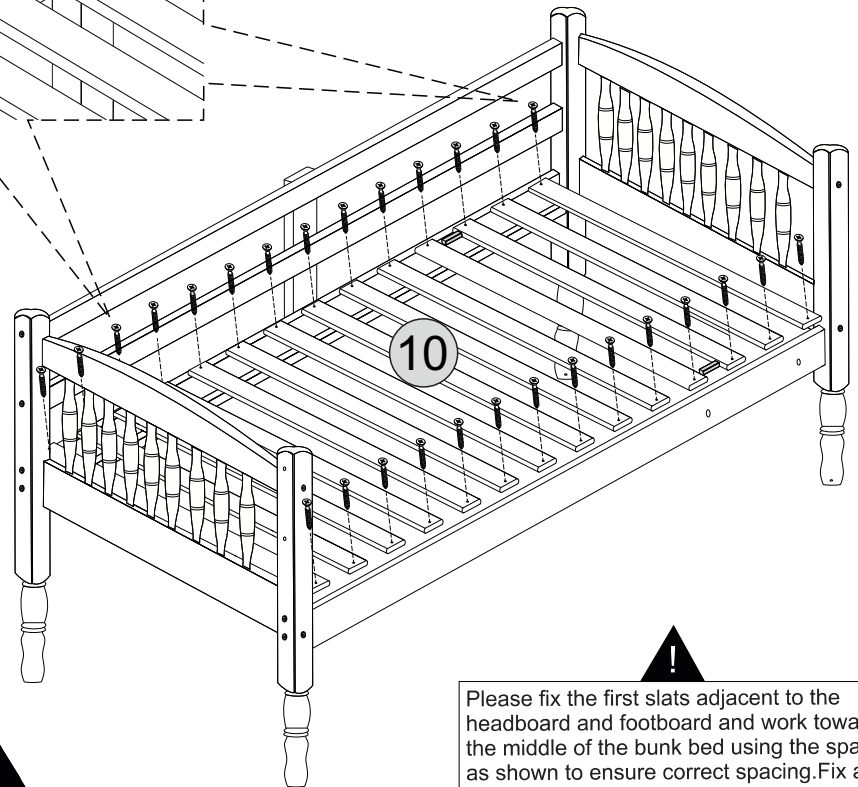
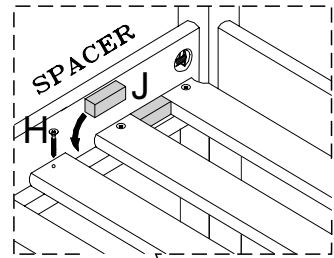
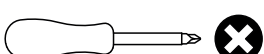


HARDWARE REQUIRED

H  28
Ø3.5 x 30mm

J  02
SPACER

TOOLS REQUIRED



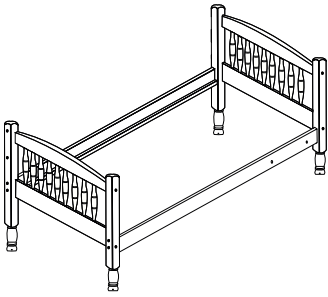
!
Please assemble on a clean soft surface to avoid damage.

!
Please fix the first slats adjacent to the headboard and footboard and work towards the middle of the bunk bed using the spacer as shown to ensure correct spacing. Fix all the slats to one siderail first then push the second siderail tight against the slats and please retain the allen key and use periodically to check that all bolts are tight.

STEP 11

PARTS REQUIRED

10 - SLATS x14

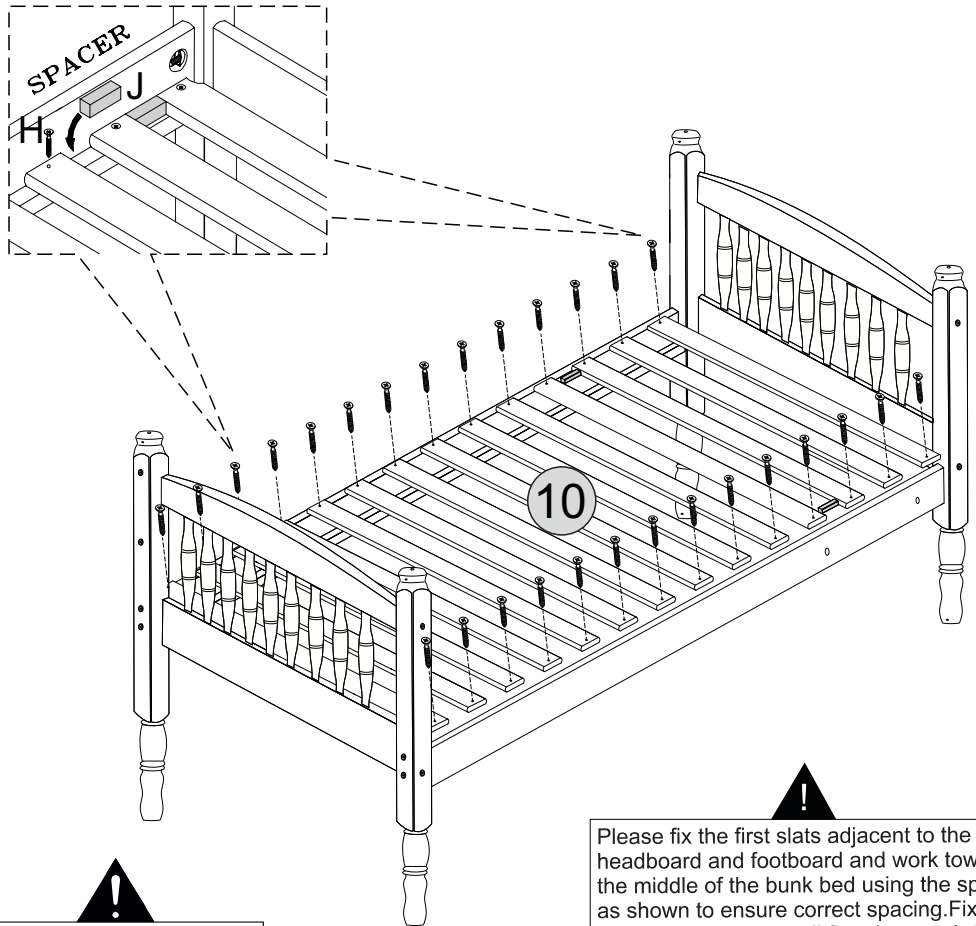
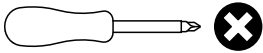


HARDWARE REQUIRED

H  28
Ø3.5 x 30mm

J  02
SPACER

TOOLS REQUIRED

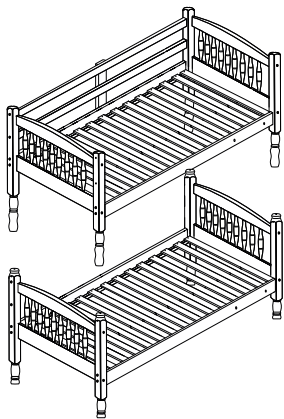


!
Please assemble on a clean soft surface to avoid damage.

!
Please fix the first slats adjacent to the headboard and footboard and work towards the middle of the bunk bed using the spacer as shown to ensure correct spacing. Fix all the slats to one siderail first then push the second siderail tight against the slats and fix please retain the allen key and use periodically to check that all bolts are tight.

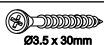
STEP 12

PARTS REQUIRED

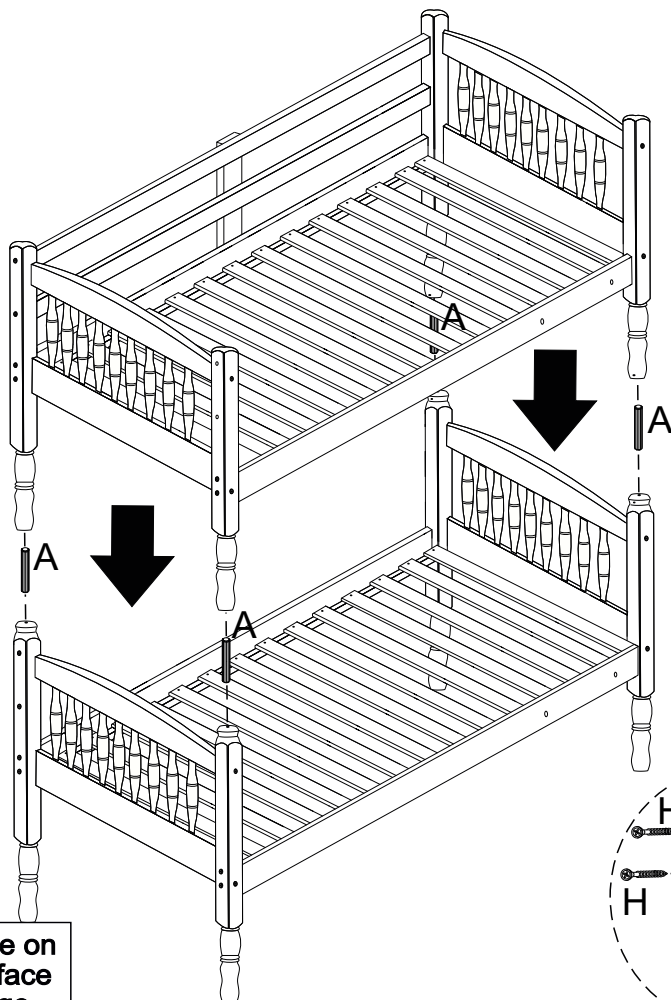
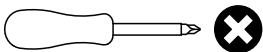


HARDWARE REQUIRED

A  04
Ø15 x 90mm

H  08
Ø3.5 x 30mm

TOOLS REQUIRED



!
Please assemble on a clean soft surface to avoid damage.

STEP 13

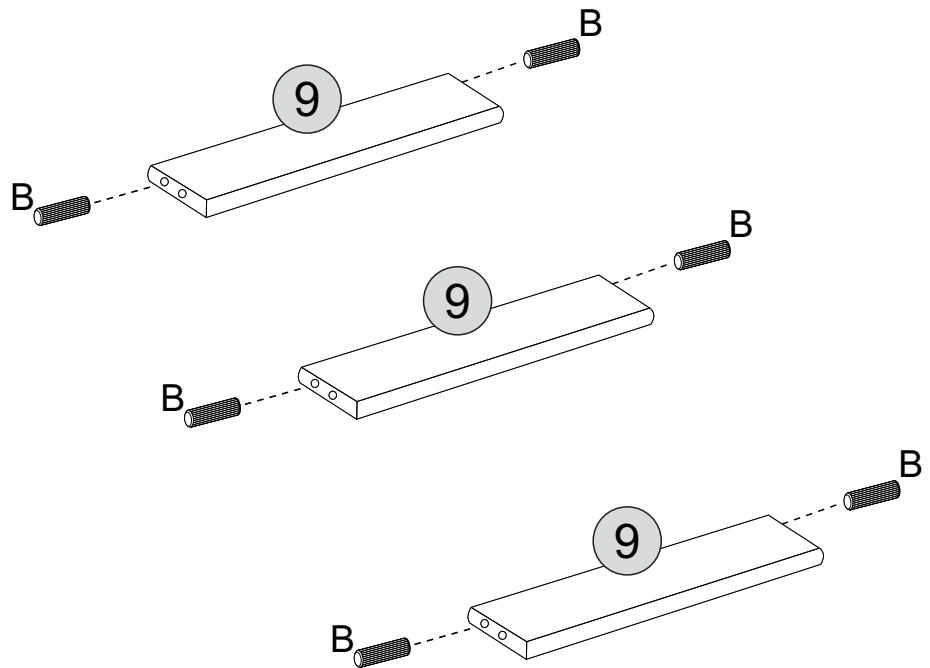
PARTS REQUIRED

9 - LADDER STEP x3

HARDWARE REQUIRED

B  06
Ø10 x 50mm

TOOLS REQUIRED



 Please assemble on a clean soft surface to avoid damage.

STEP 14

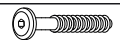
PARTS REQUIRED

7 - LONG LADDER UPRIGHT x1

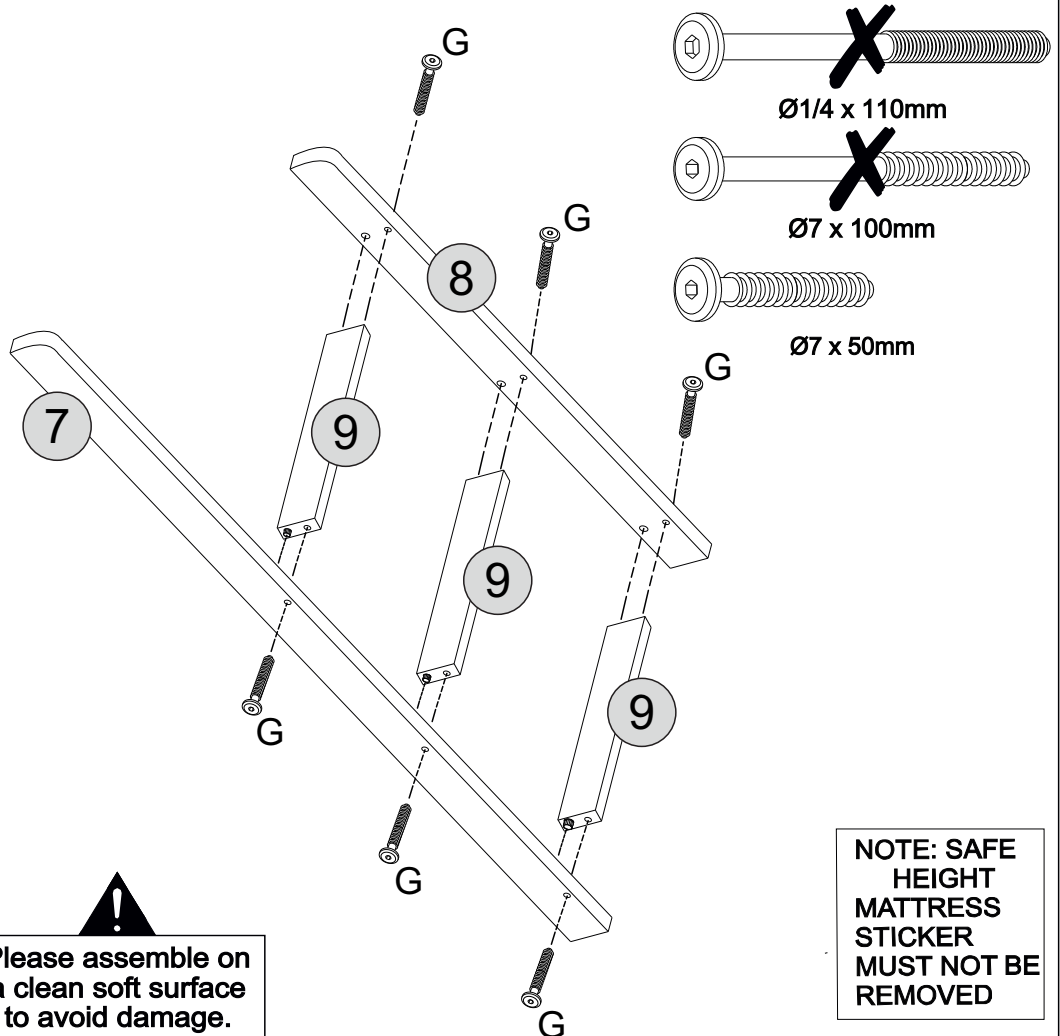
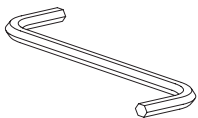
8 - SHORT LADDER UPRIGHT x1

9 - LADDER STEP x3

HARDWARE REQUIRED

G  06
Ø7 x 50mm

TOOLS REQUIRED

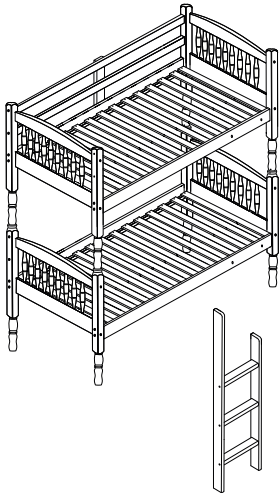


 Please assemble on a clean soft surface to avoid damage.

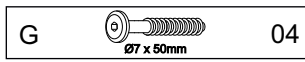
NOTE: SAFE HEIGHT MATTRESS STICKER MUST NOT BE REMOVED

STEP 15

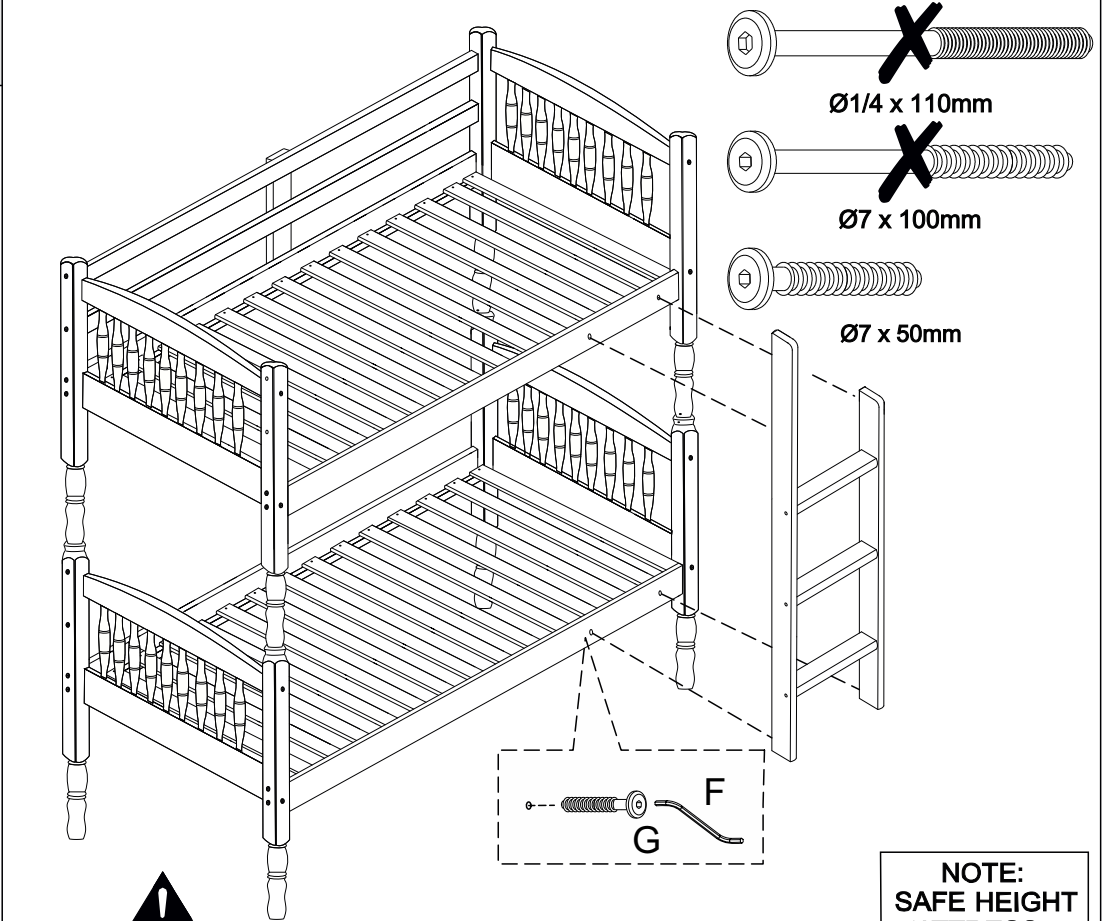
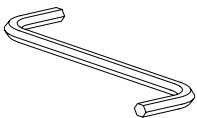
PARTS REQUIRED



HARDWARE REQUIRED



TOOLS REQUIRED



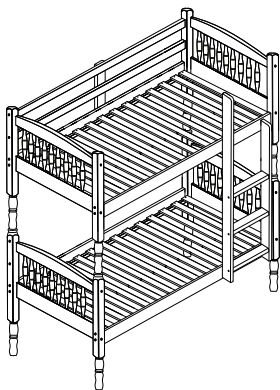
!
Please assemble on a clean soft surface to avoid damage.

NOTE:
SAFE HEIGHT MATTRESS STICKER MUST NOT BE REMOVED

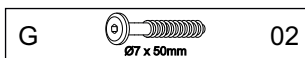
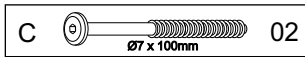
STEP 16

PARTS REQUIRED

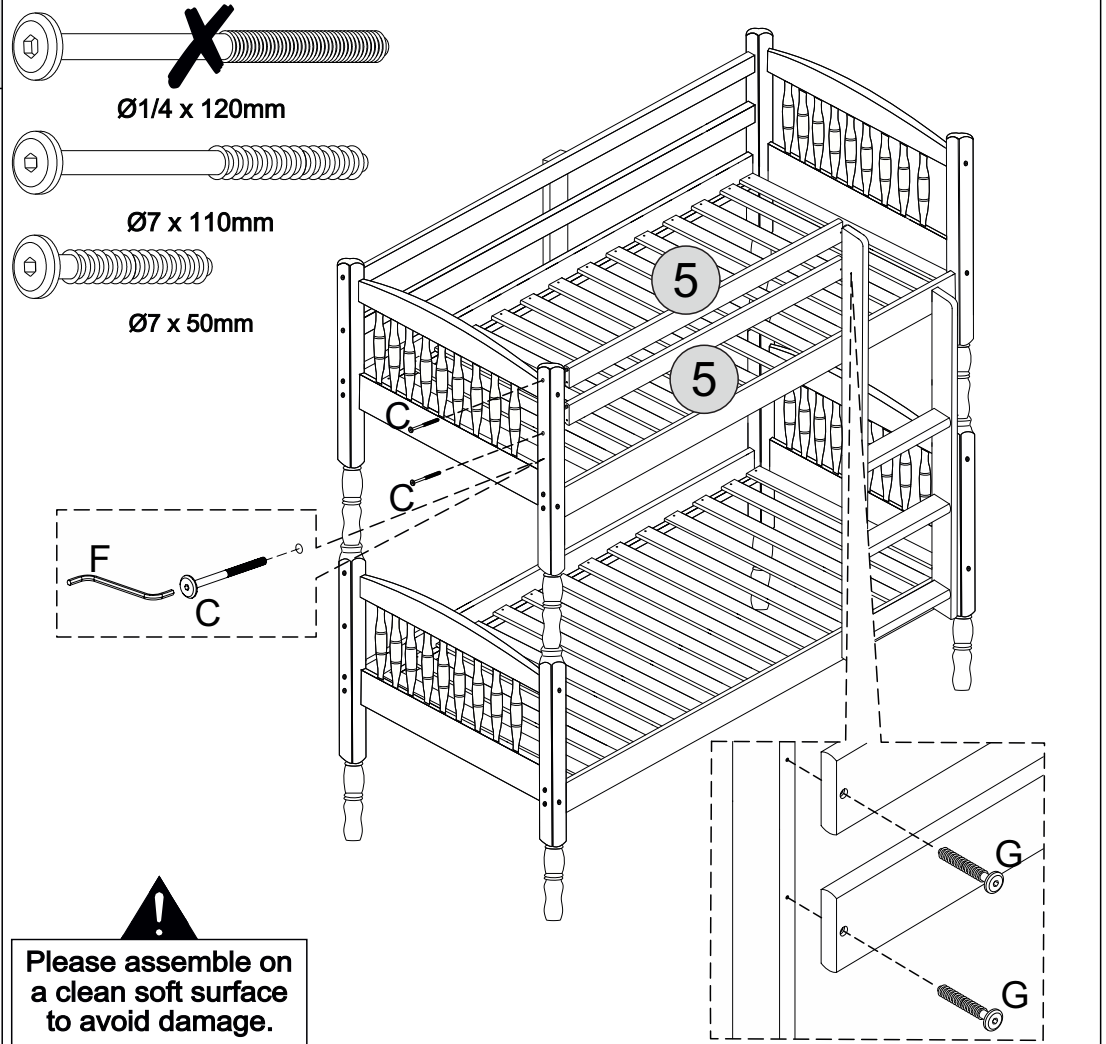
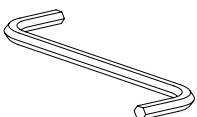
5 - SHORT SAFETY-RAIL x2



HARDWARE REQUIRED



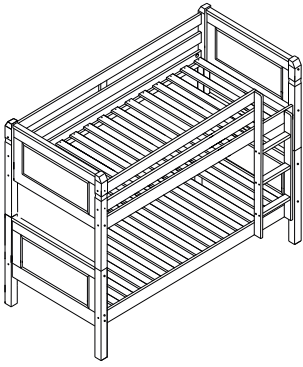
TOOLS REQUIRED



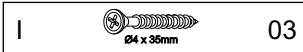
!
Please assemble on a clean soft surface to avoid damage.

STEP 17

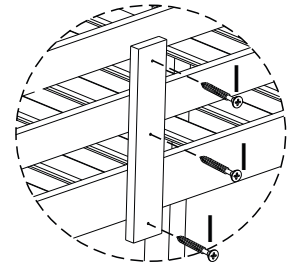
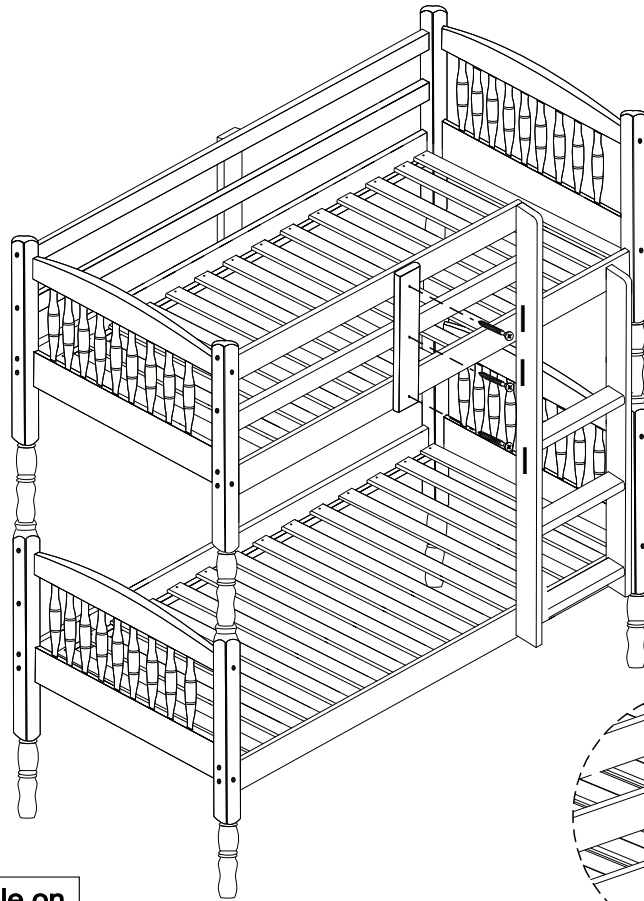
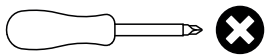
PARTS REQUIRED



HARDWARE REQUIRED



TOOLS REQUIRED



!
Please assemble on a clean soft surface to avoid damage.

STEP 18

PARTS REQUIRED

HARDWARE REQUIRED

TOOLS REQUIRED

