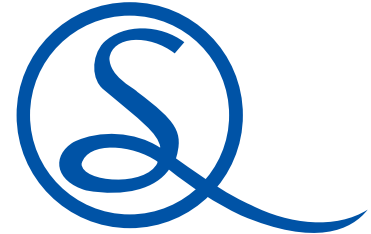
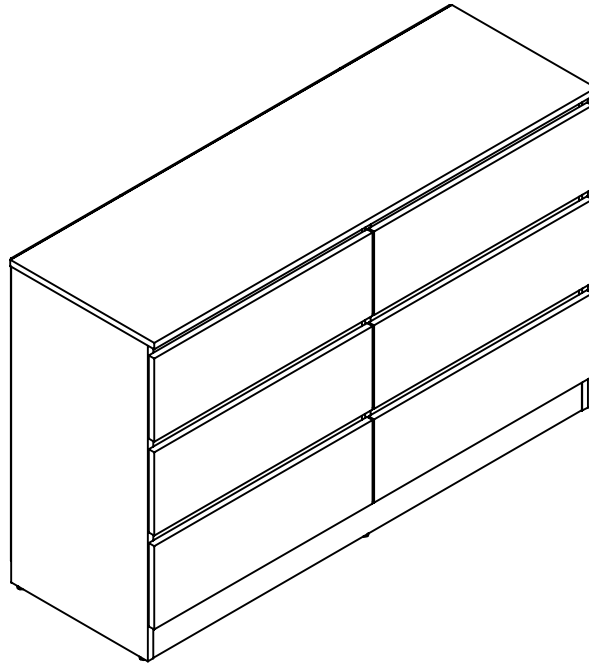


GREY MALVERN 6 DRAWER CHEST ASSEMBLY INSTRUCTIONS



FOR DOMESTIC USE ONLY

IMPORTANT

PLEASE READ BEFORE YOU CONTINUE FURTHER

THE PRODUCT YOU HAVE PURCHASED WILL GIVE YOU MANY YEARS OF SERVICE IF YOU FOLLOW THE GUIDELINES FOR ITS SAFE ASSEMBLY AND PERIODIC MAINTENANCE AND CLEANING.

ASSEMBLE ON A SOFT CLEAN SURFACE.

DO NOT USE ANY TOOLS OTHER THAN THOSE SHOWN.

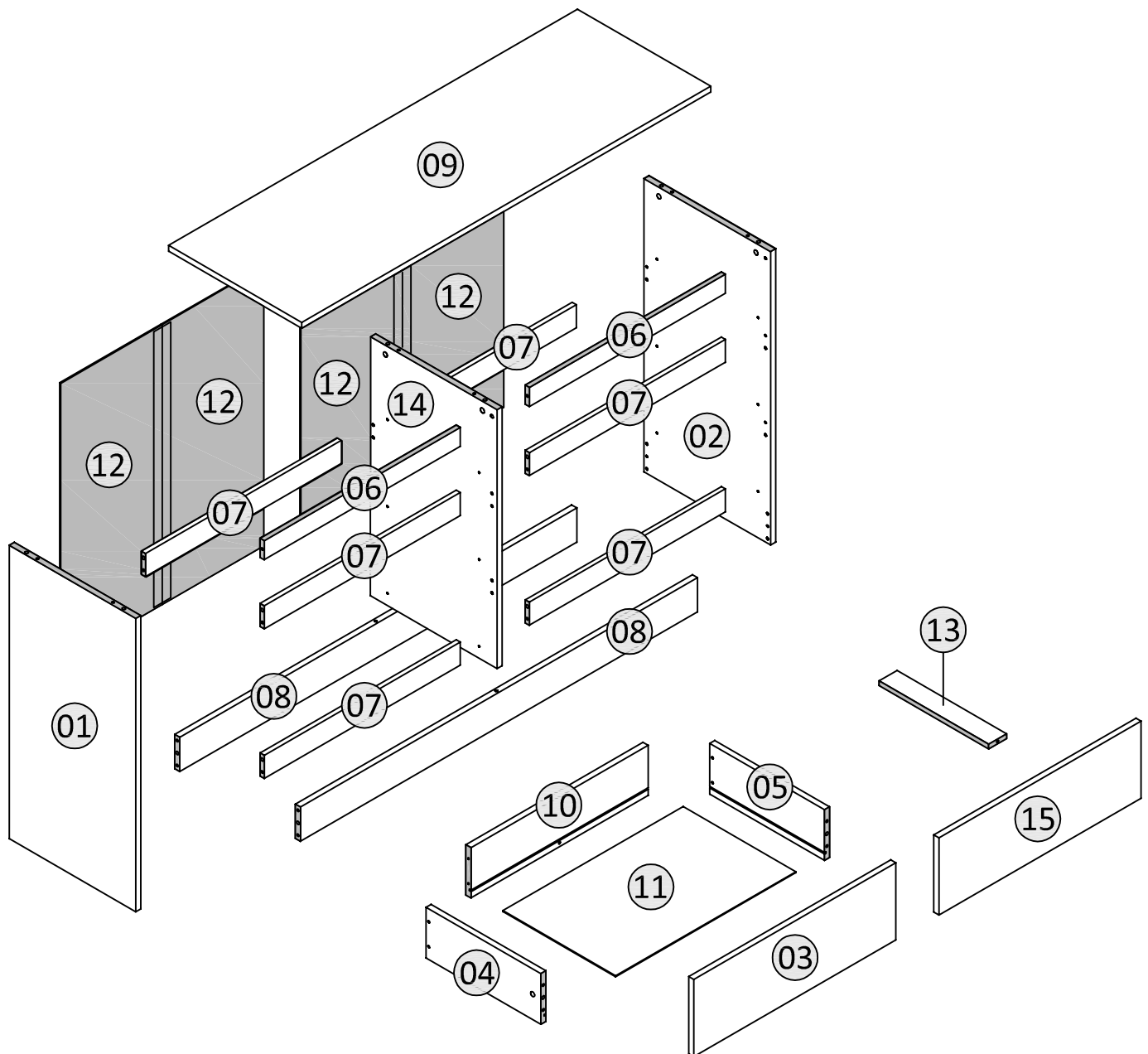
ANY SPANNERS OR ALLEN KEYS REQUIRED ARE INCLUDED WITH THE FITTING KIT.

DO NOT FOR ANY REASON USE A POWER TOOL TO ASSEMBLE THIS PRODUCT. ITS USE WILL INVALIDATE ANY CLAIM YOU MAY HAVE AND COULD MAKE THIS PRODUCT UNSAFE.

DEPENDING ON THE AMOUNT OF USE THIS PRODUCT RECEIVES. IT MAY BE NECESSARY TO TIGHTEN UP THE FIXINGS FROM TIME TO TIME. THIS IS COMPLETELY NORMAL FOR ANY FLAT PACK FURNITURE. DO NOT OVERTIGHTEN FIXINGS.

FOR CLEANING, YOU MAY USE A DAMP CLOTH (NOT WET). DO NOT USE POLISH, DETERGENT OR CHEMICAL CLEANERS.



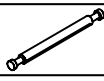



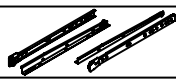




THIS SURFACE OF THIS ITEM IS NOT HEAT RESISTANT. ALWAYS USE A PLACE MAT UNDER HOT OR COLD ITEMS TO PREVENT MARKING.



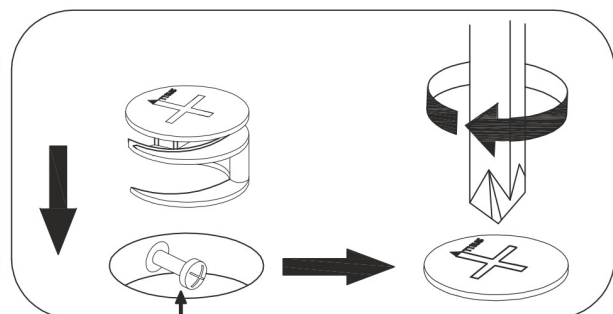
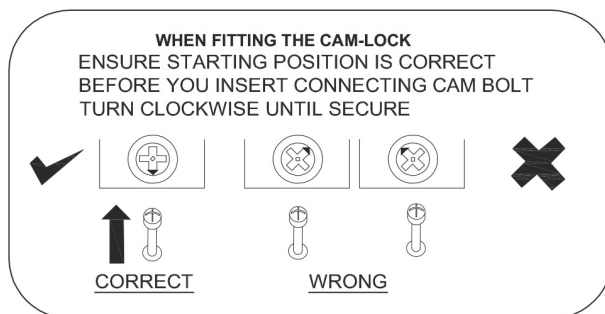
PART LIST

<u>Part Number</u>	<u>Part Code</u>	<u>Part Description</u>	<u>Quantity</u>	<u>Carton</u>
01	S100-102-129-TA1-01	Left Panel	1	2/2
02	S100-102-129-TA1-02	Right Panel	1	2/2
03	S100-102-129-TA1-03	Drawer Front (Left)	3	1/2
04	S100-102-129-TA1-04	Drawer Left Panel	6	2/2
05	S100-102-129-TA1-05	Drawer Right Panel	6	2/2
06	S100-102-129-TA1-06	Top Support Panel	2	1/2
07	S100-102-129-TA1-07	Centre Support Panel	6	1/2
08	S100-102-129-TA1-08	Bottom Support Panel	2	1/2
09	S100-102-129-TA1-09	Top Panel	1	1/2
10	S100-102-129-TA1-10	Drawer Back Panel	6	1/2
11	S100-102-129-TA1-11	Drawer Bottom Panel	6	1/2
12	S100-102-129-TA1-12	Back Panel	4	2/2
13	S100-102-129-TA1-13	Drawer Support Panel	6	1/2
14	S100-102-129-TA1-14	Centre Panel	1	2/2
15	S100-102-129-TA1-15	Drawer Front (Right)	3	1/2

HARDWARE LIST

No.	Part Name		Qty
A	5575 Cam Nut		34
B	Cam Bolt		28
C	Double Cam Bolt		3
D	M6 x 30mm Wood Dowel		62
E	38mm Chipboard Screw		30
F	14mm Chipboard Screw		68
G	14" Drawer Slide		6 sets
H	PVC L Bracket		2
J	Table Pin		6
K	Steel Nail		65
L	Safety Pack (4 x 20mm x 1)		2

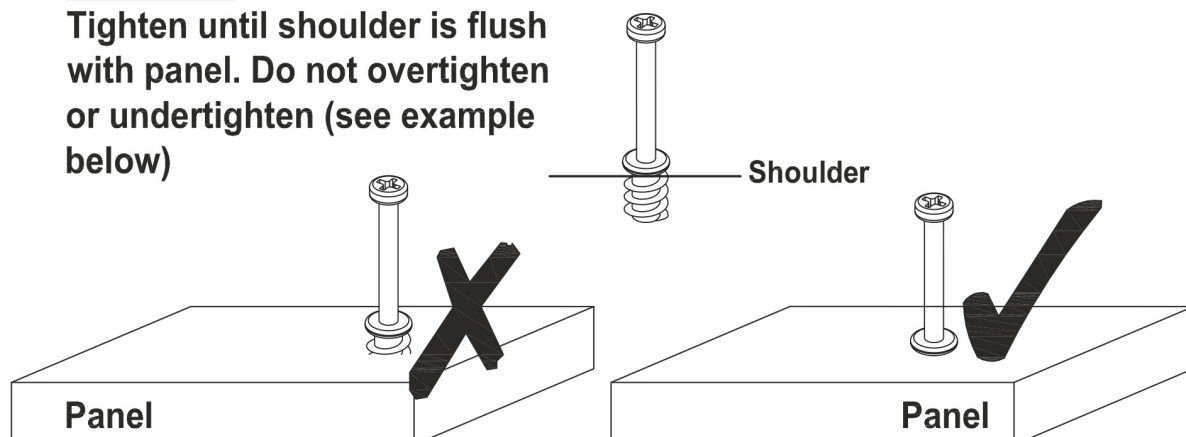
TIPS FOR FITTING CAM-LOCKS



Cam bolt head needs to be in centre

CAMBOLT

Tighten until shoulder is flush with panel. Do not overtighten or undertighten (see example below)



STEP 1

PARTS REQUIRED

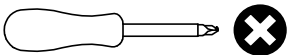
01- LEFT PANEL x1

HARDWARE REQUIRED

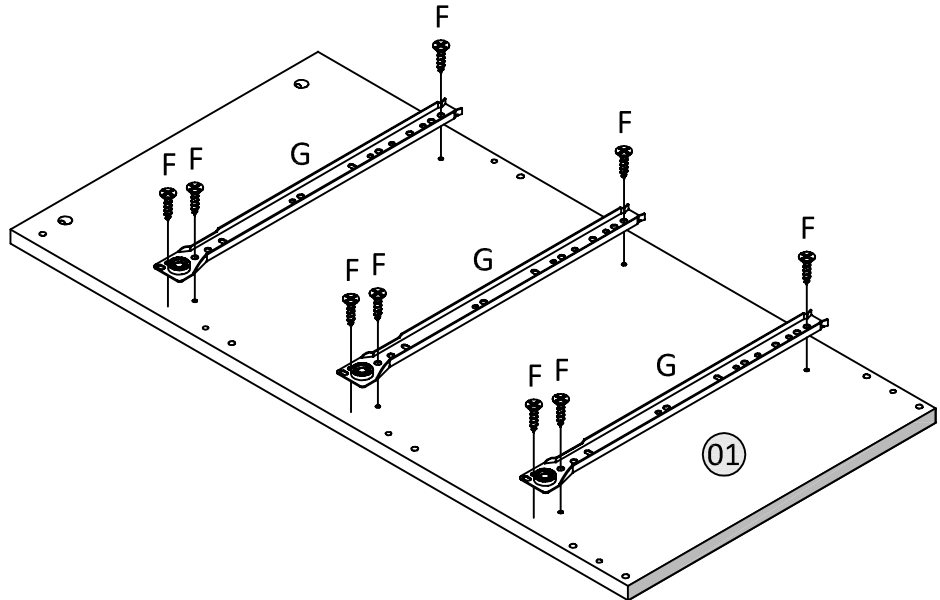
F  09

G  03

TOOLS REQUIRED



To Assembly the Drawer Slide, Please Follow Step as Below




STEP 2

PARTS REQUIRED

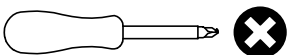
02- RIGHT PANEL x1

HARDWARE REQUIRED

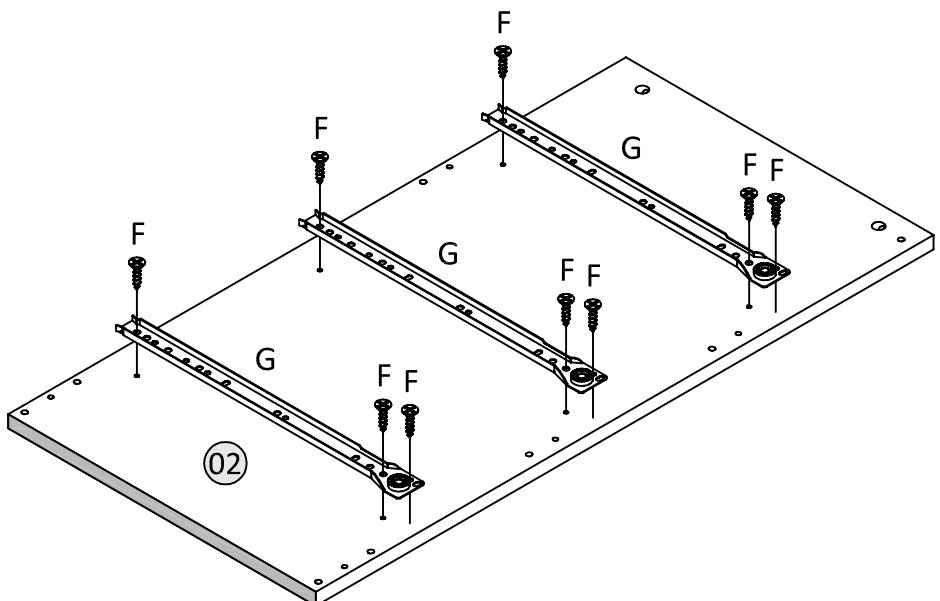
F  09

G  03

TOOLS REQUIRED



To Assembly the Drawer Slide, Please Follow Step as Below



STEP 3

PARTS REQUIRED

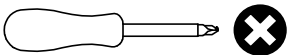
14- CENTRE PANEL x1

HARDWARE REQUIRED

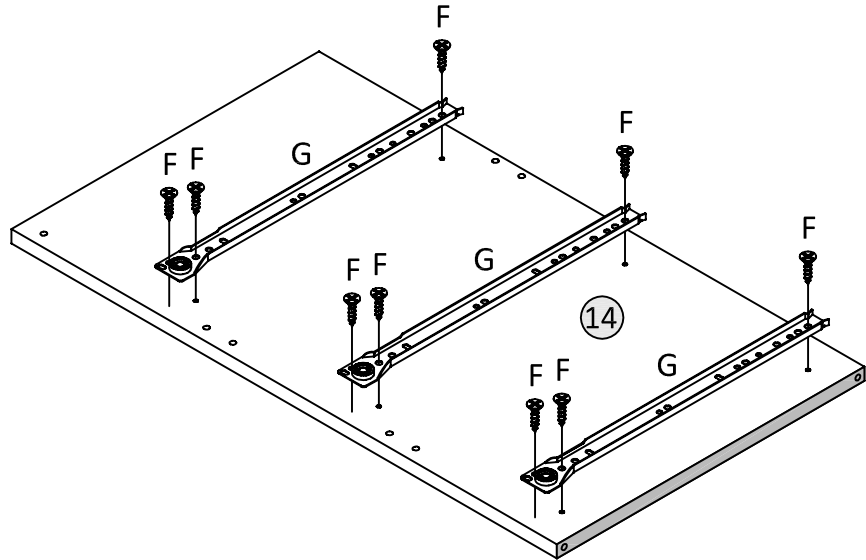
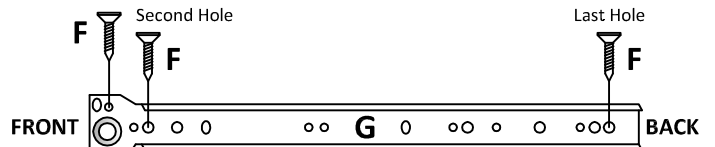
F  09

G  03

TOOLS REQUIRED



To Assembly the Drawer Slide, Please Follow Step as Below




STEP 4

PARTS REQUIRED

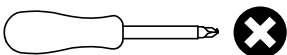
14- CENTRE PANEL x1

HARDWARE REQUIRED

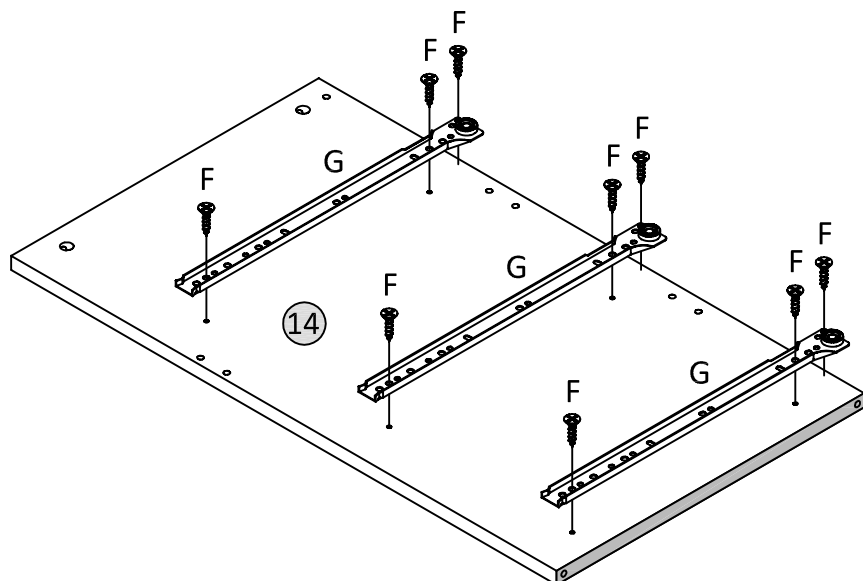
F  09

G  03

TOOLS REQUIRED



To Assembly the Drawer Slide, Please Follow Step as Below



STEP 5

PARTS REQUIRED


01- LEFT PANEL x1

02- RIGHT PANEL x1

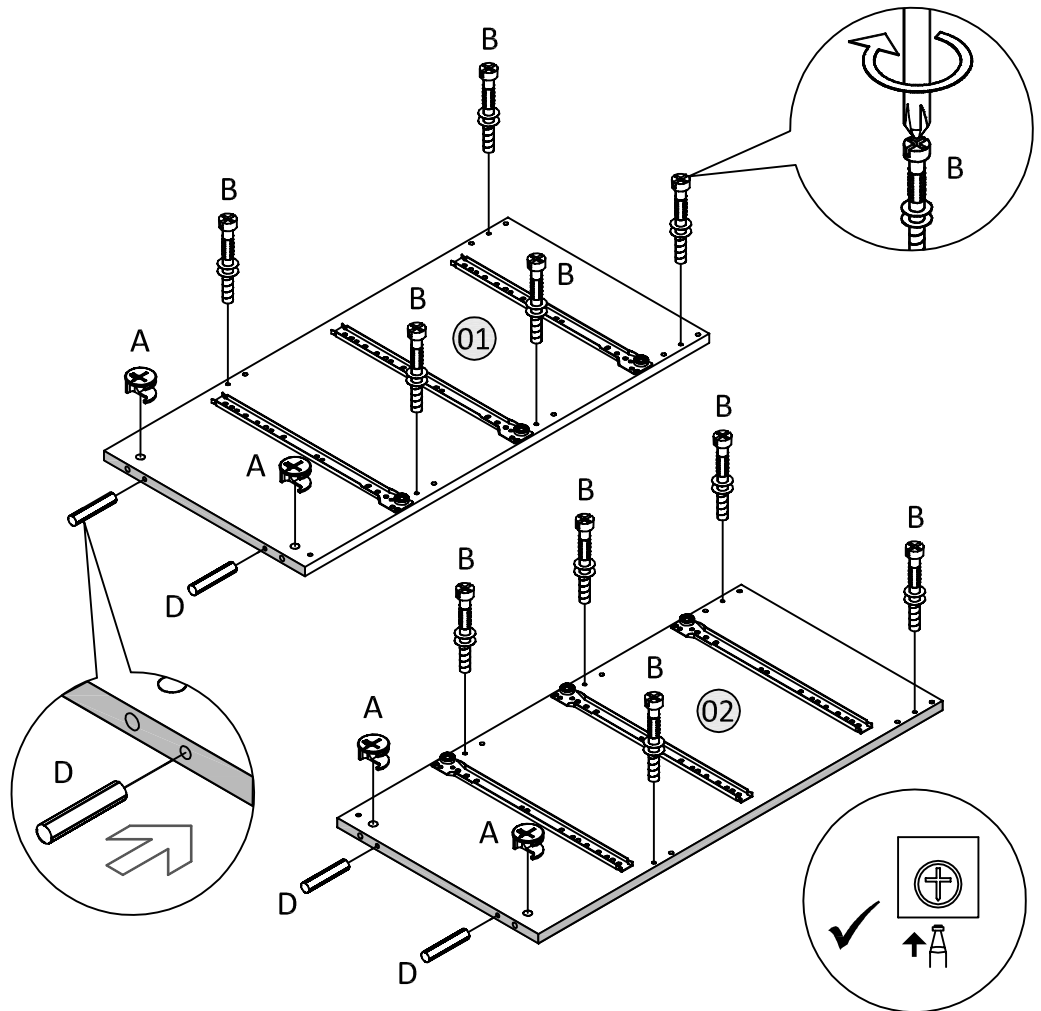
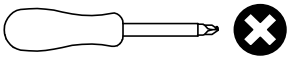
HARDWARE REQUIRED

A  04

B  10

D  04

TOOLS REQUIRED



STEP 6

PARTS REQUIRED

06- TOP SUPPORT PANEL x2


07- CENTRE SUPPORT PANEL x6

08- BOTTOM SUPPORT PANEL x2

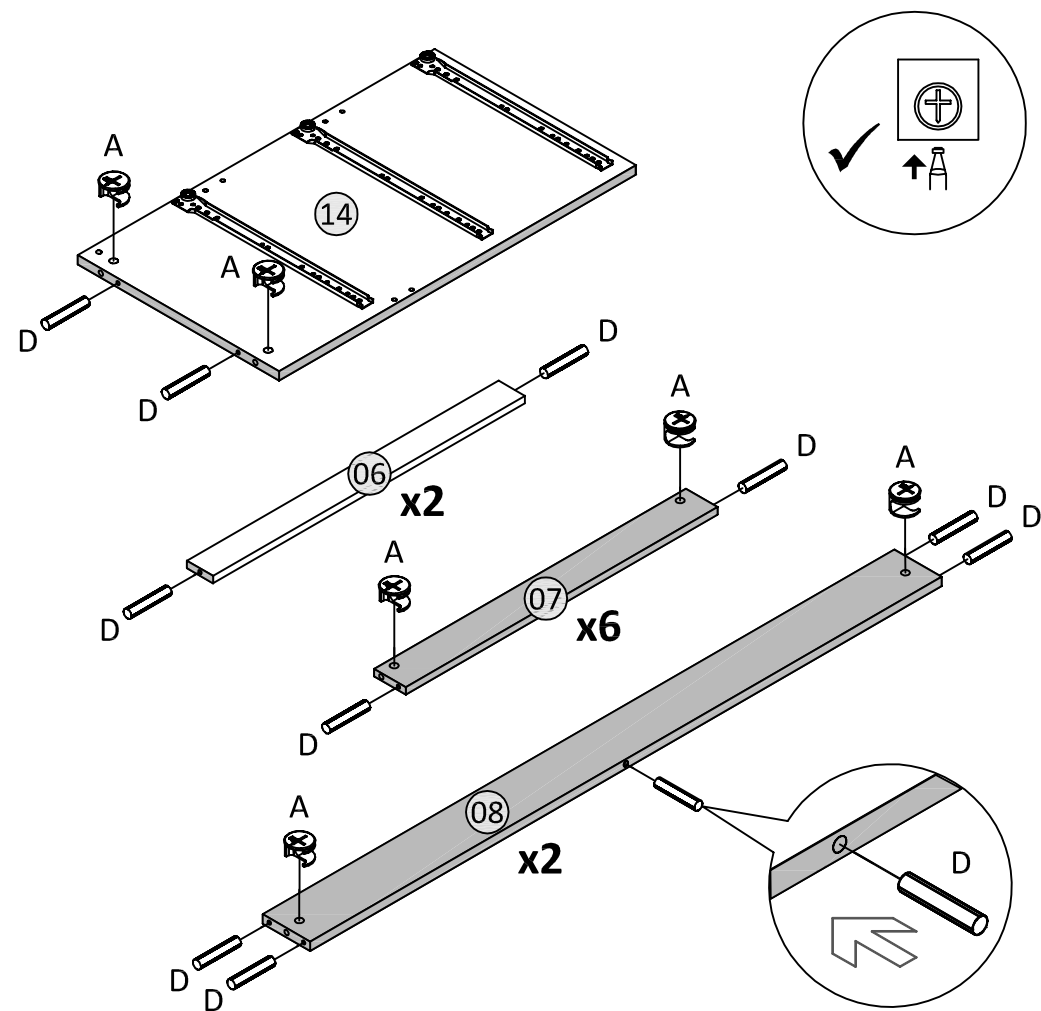
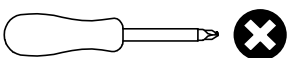
14- CENTRE PANEL x1

HARDWARE REQUIRED

A  18

D  28

TOOLS REQUIRED



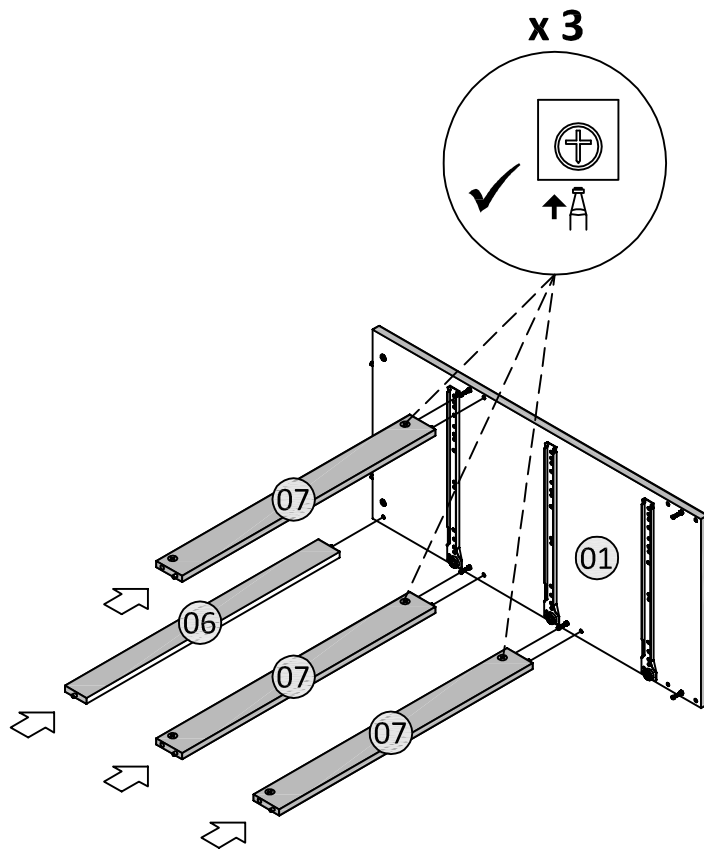
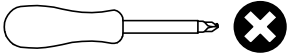
STEP 7

PARTS REQUIRED

01- LEFT PANEL	x1
06- TOP SUPPORT PANEL	x1
07- CENTRE SUPPORT PANEL	x3

HARDWARE REQUIRED

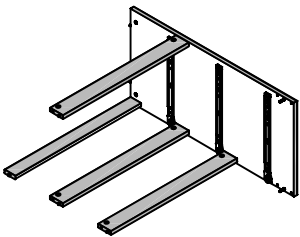
TOOLS REQUIRED



STEP 8

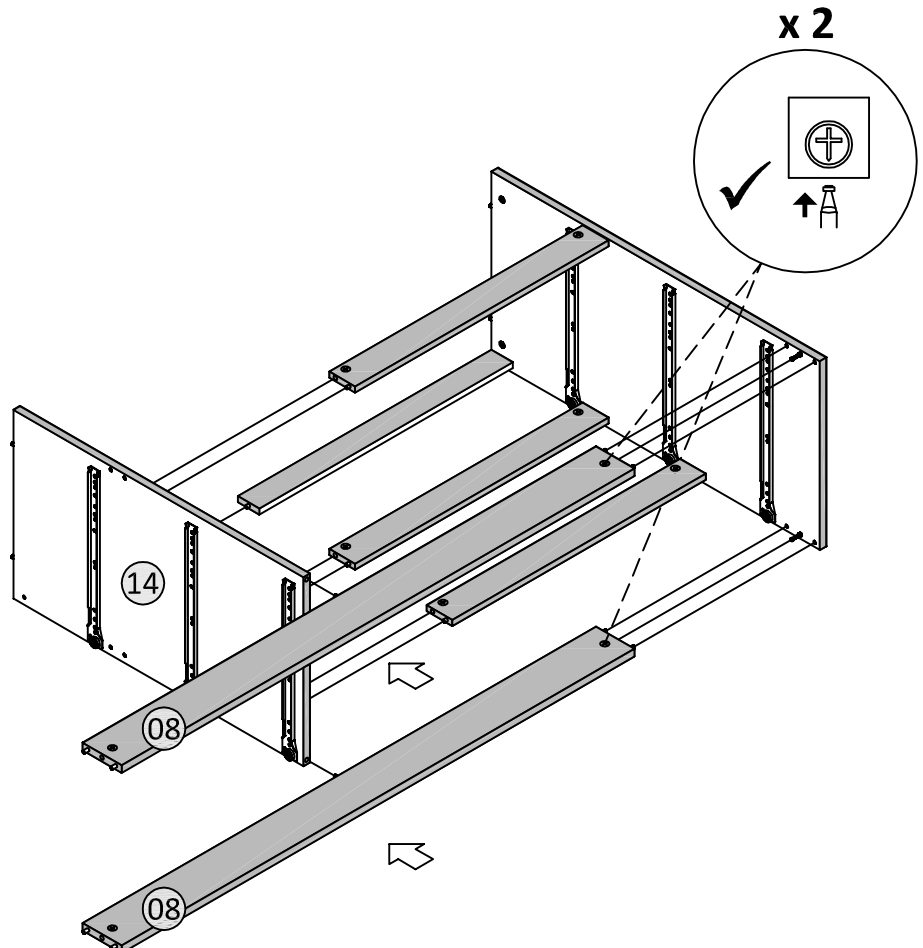
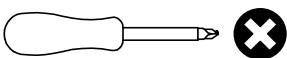
PARTS REQUIRED

08- BOTTOM SUPPORT PANEL	x2
14- CENTRE PANEL	x1



HARDWARE REQUIRED

TOOLS REQUIRED

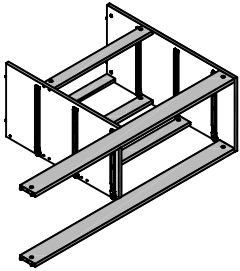


STEP 9

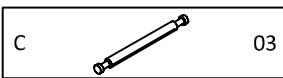
PARTS REQUIRED

06- TOP SUPPORT PANEL x1

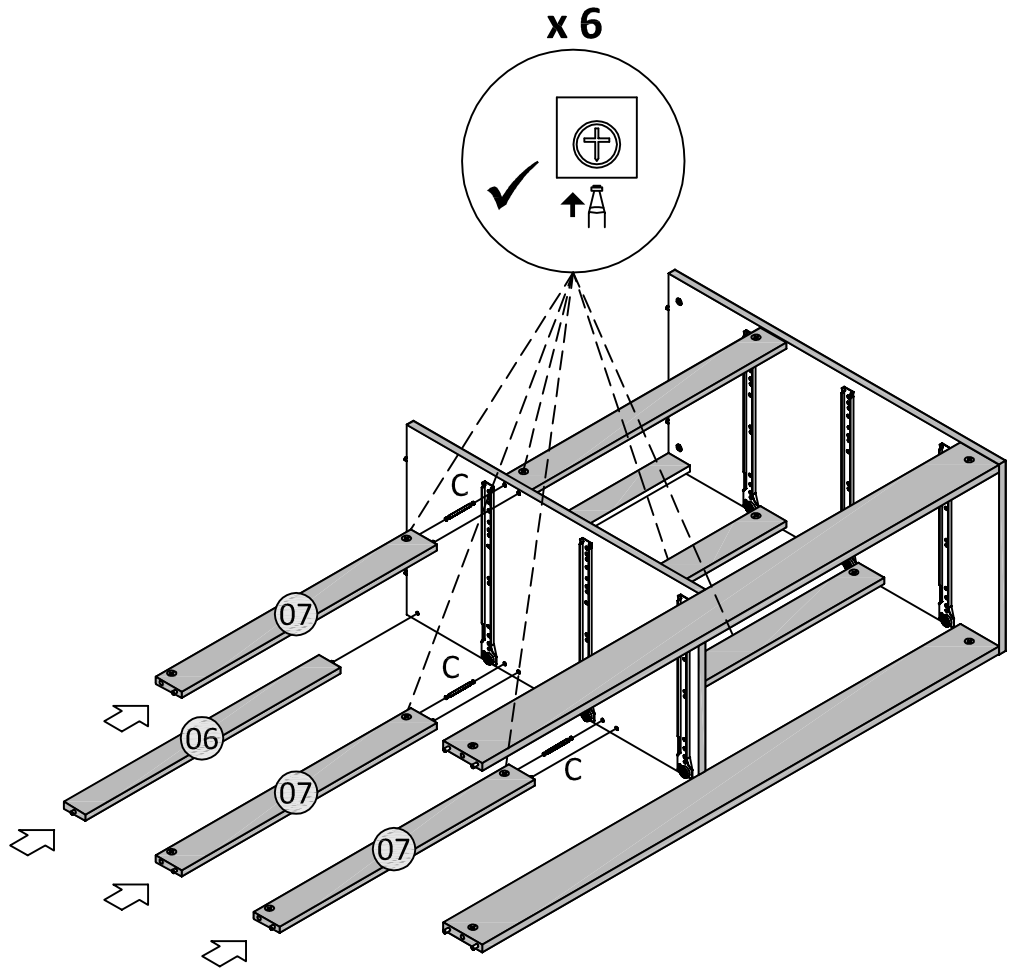
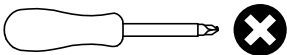
07- CENTRE SUPPORT PANEL x3



HARDWARE REQUIRED



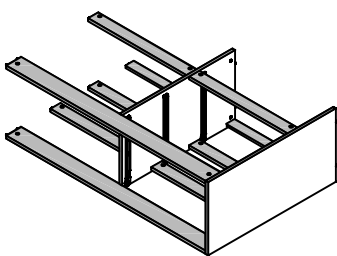
TOOLS REQUIRED



STEP 10

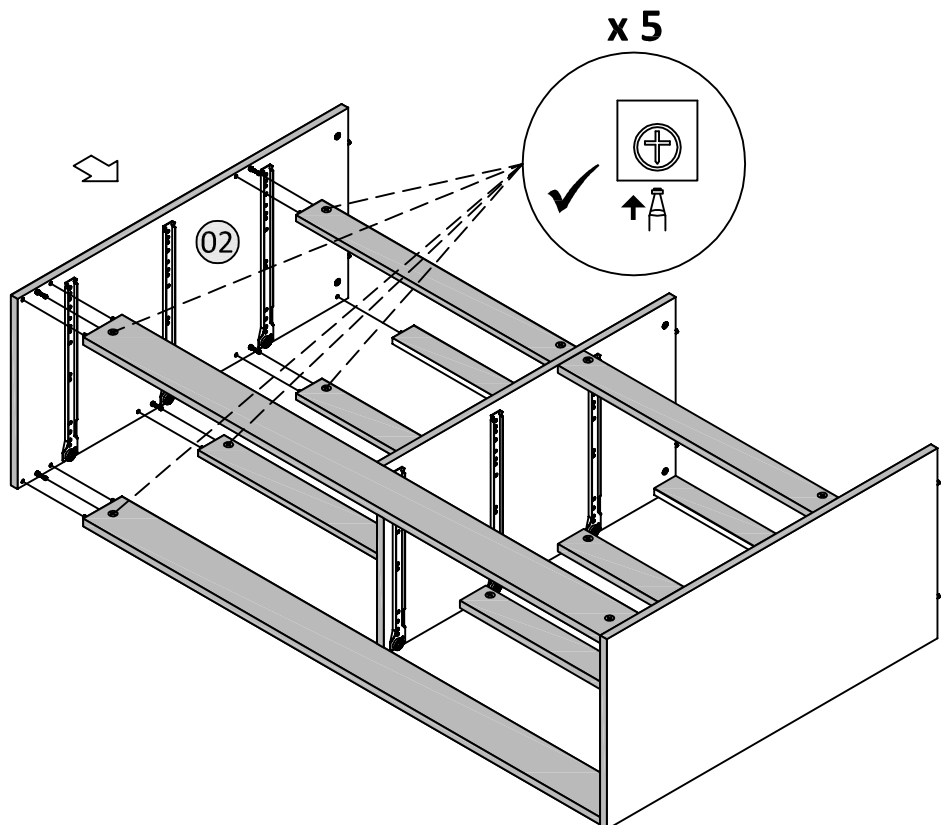
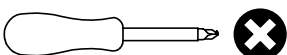
PARTS REQUIRED

02- RIGHT PANEL x1



HARDWARE REQUIRED

TOOLS REQUIRED



STEP 11

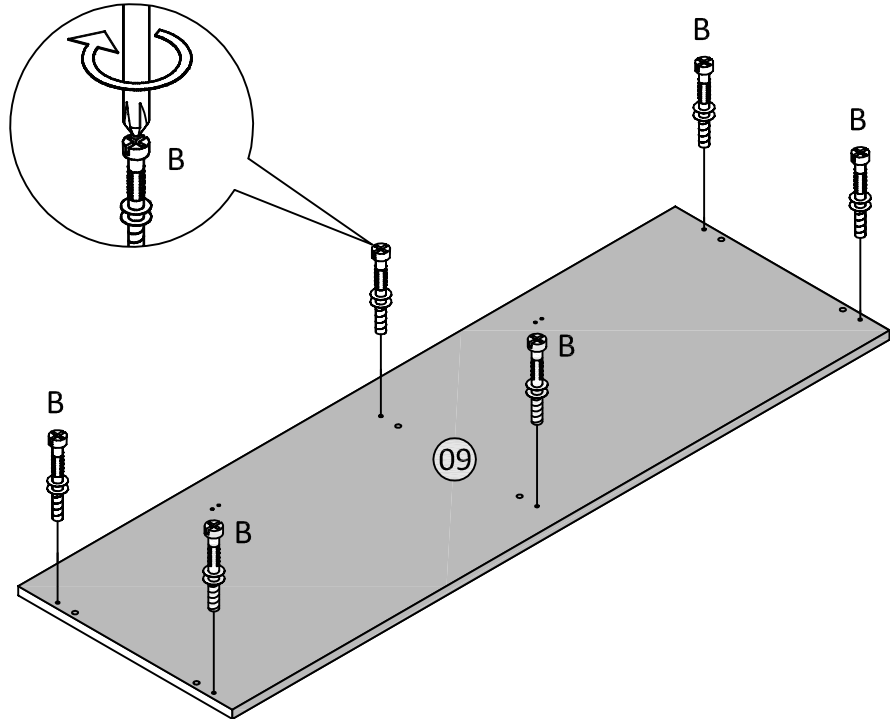
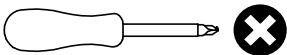
PARTS REQUIRED

09- TOP PANEL x1

HARDWARE REQUIRED

B  06

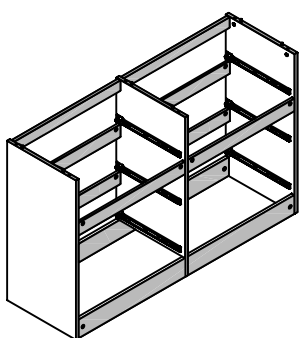
TOOLS REQUIRED



STEP 12

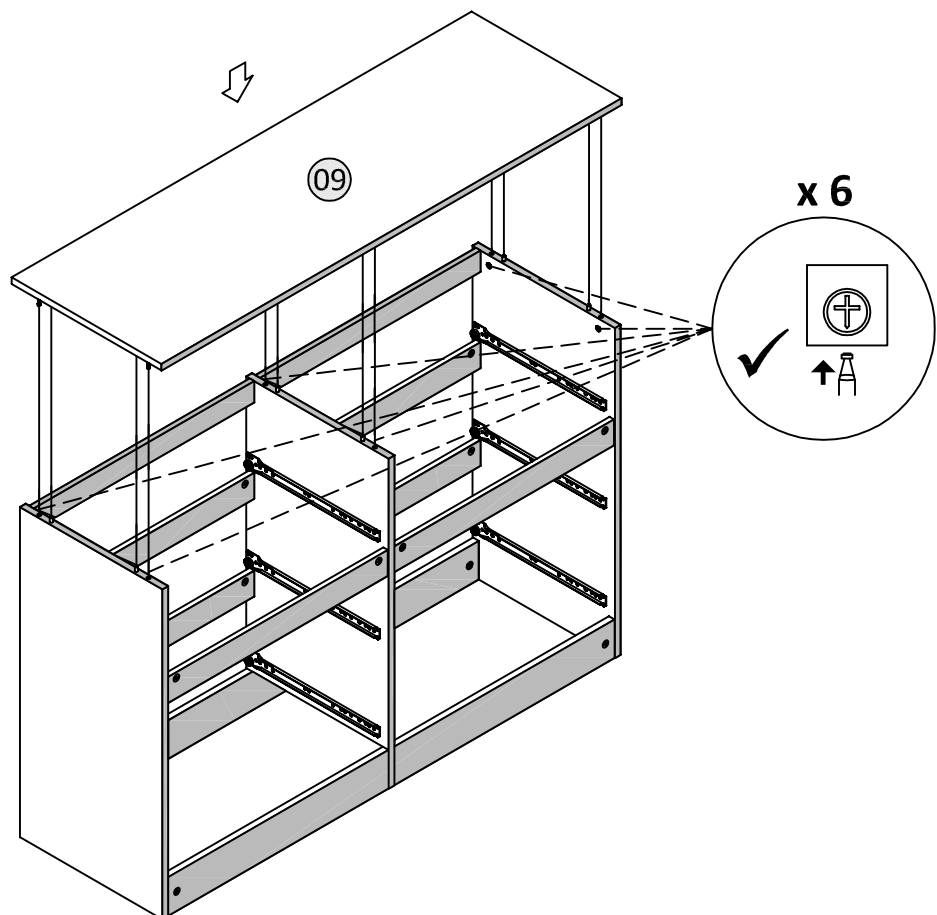
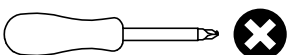
PARTS REQUIRED

09- TOP PANEL x1



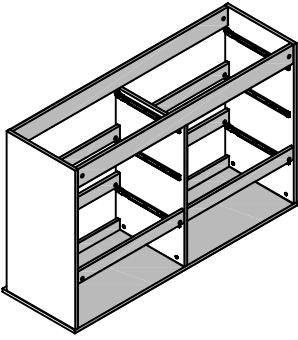
HARDWARE REQUIRED

TOOLS REQUIRED



STEP 13

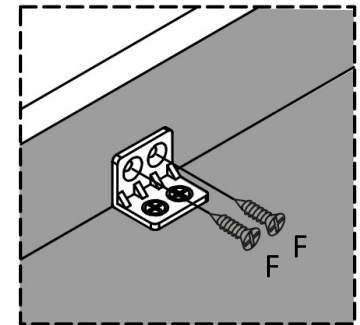
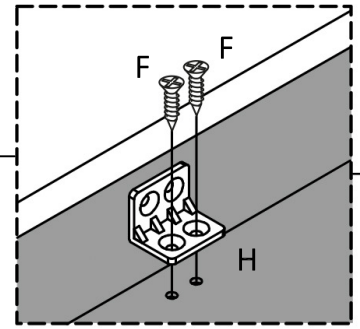
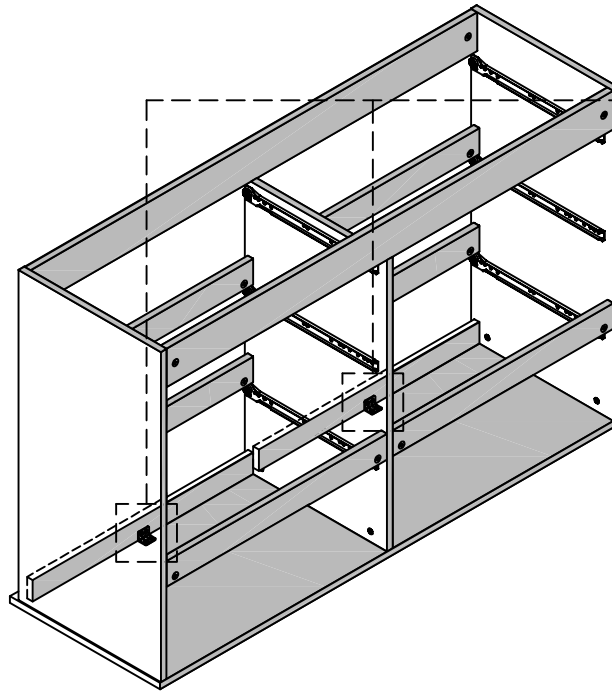
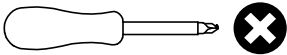
PARTS REQUIRED



HARDWARE REQUIRED

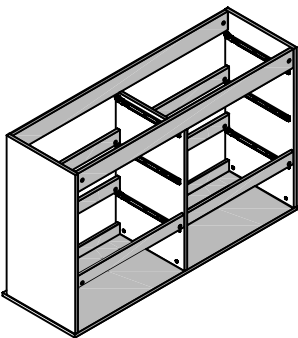


TOOLS REQUIRED

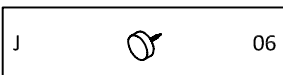


STEP 14

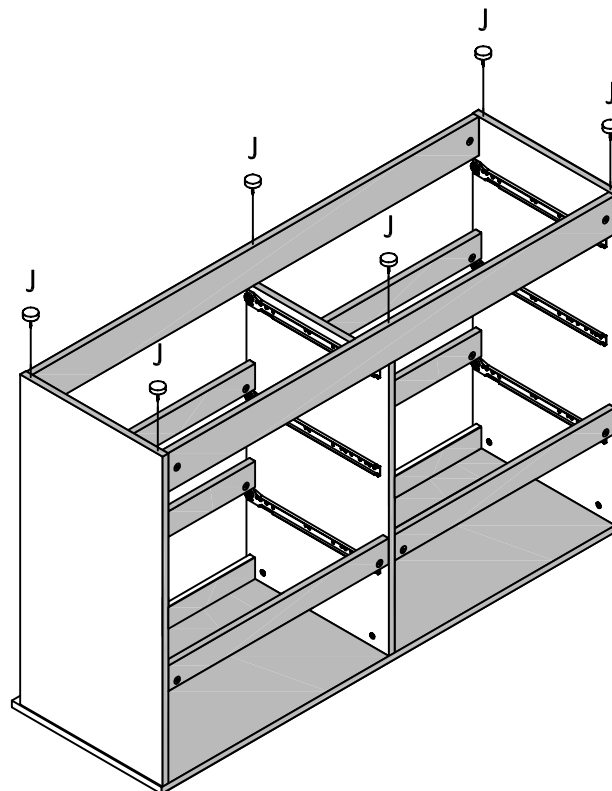
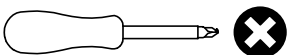
PARTS REQUIRED



HARDWARE REQUIRED



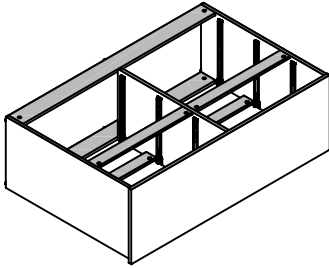
TOOLS REQUIRED




STEP 15

PARTS REQUIRED

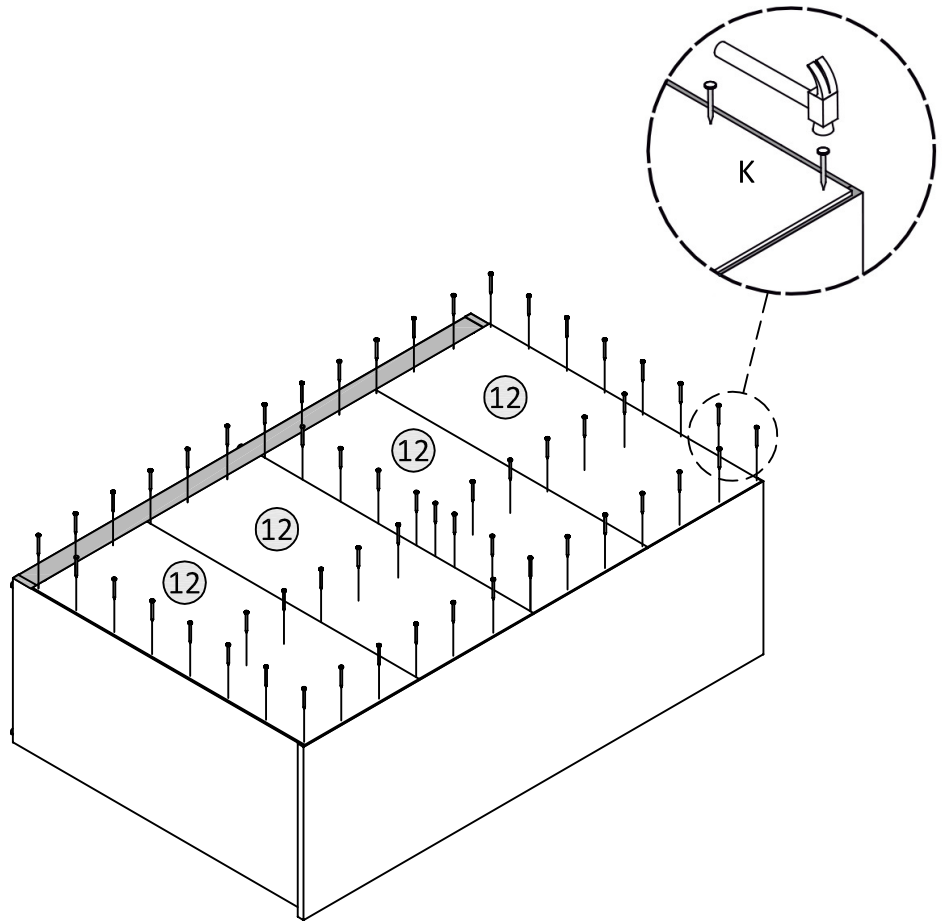
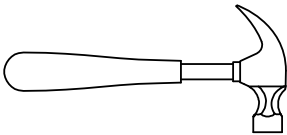
12- BACK PANEL x4



HARDWARE REQUIRED

K  65

TOOLS REQUIRED



STEP 16

PARTS REQUIRED

03- DRAWER FRONT (LEFT) x3

04- DRAWER LEFT PANEL x6

05- DRAWER RIGHT PANEL x6

13- DRAWER SUPPORT PANEL x6

15- DRAWER FRONT (RIGHT) x3

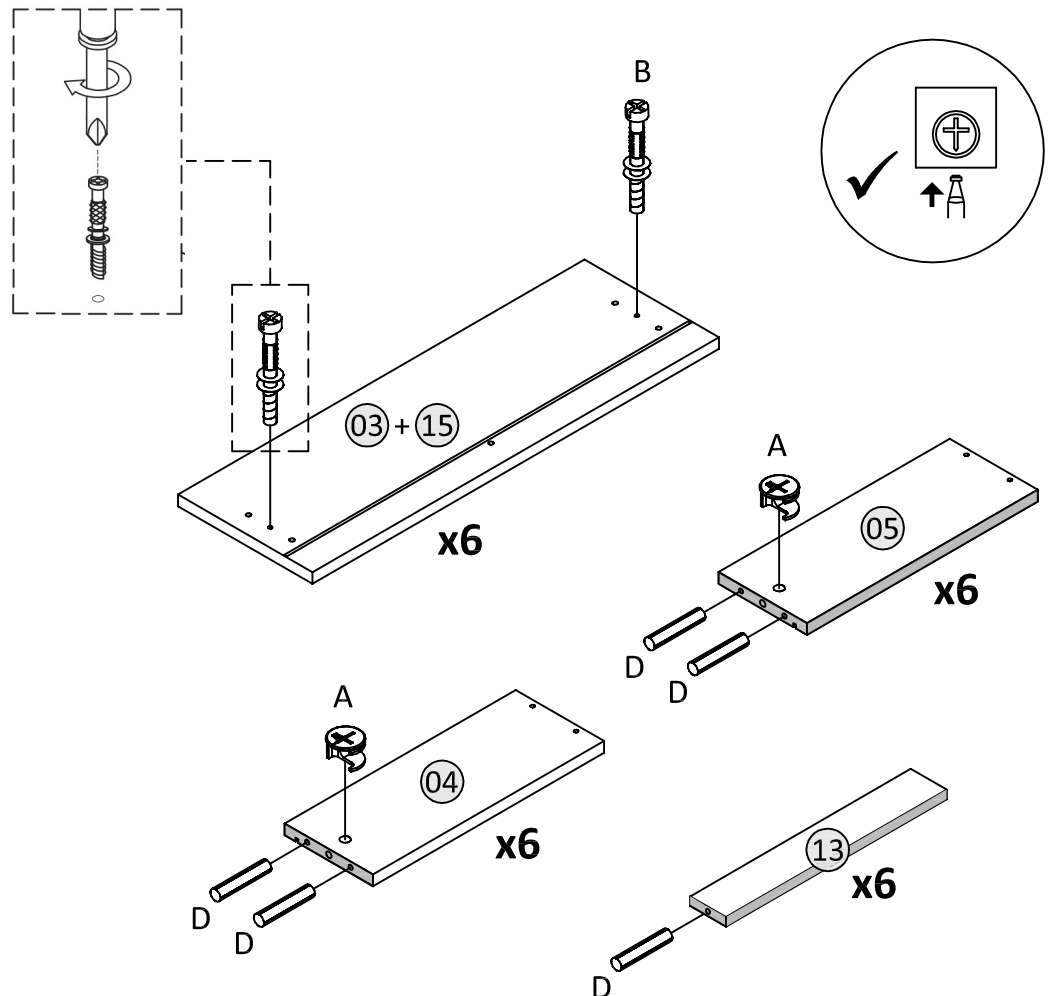
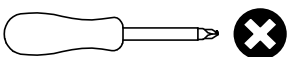
HARDWARE REQUIRED

A  12

B  12

D  30

TOOLS REQUIRED



STEP 17

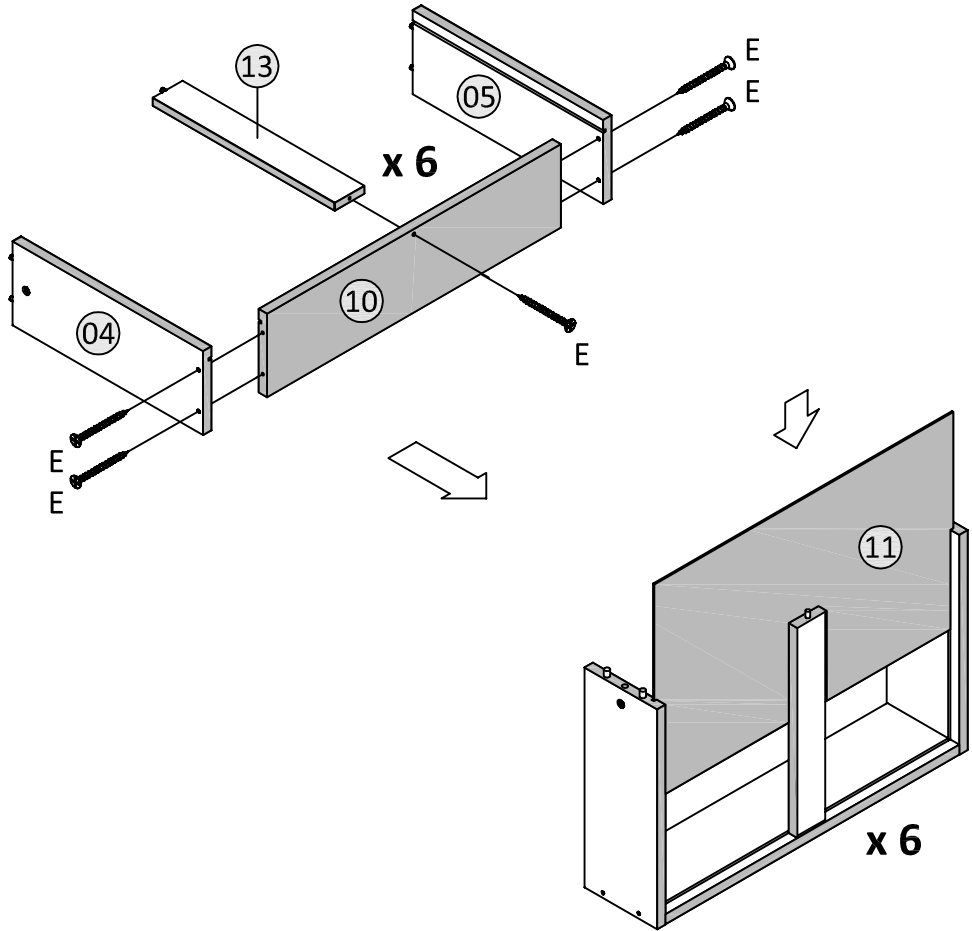
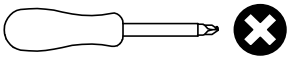
PARTS REQUIRED

04- DRAWER LEFT PANEL	x6
05- DRAWER RIGHT PANEL	x6
10- DRAWER BACK PANEL	x6
11- DRAWER BOTTOM PANEL	x6
13- DRAWER SUPPORT PANEL	x6

HARDWARE REQUIRED

E		30
---	---	----

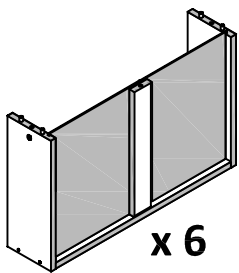
TOOLS REQUIRED





STEP 18

PARTS REQUIRED

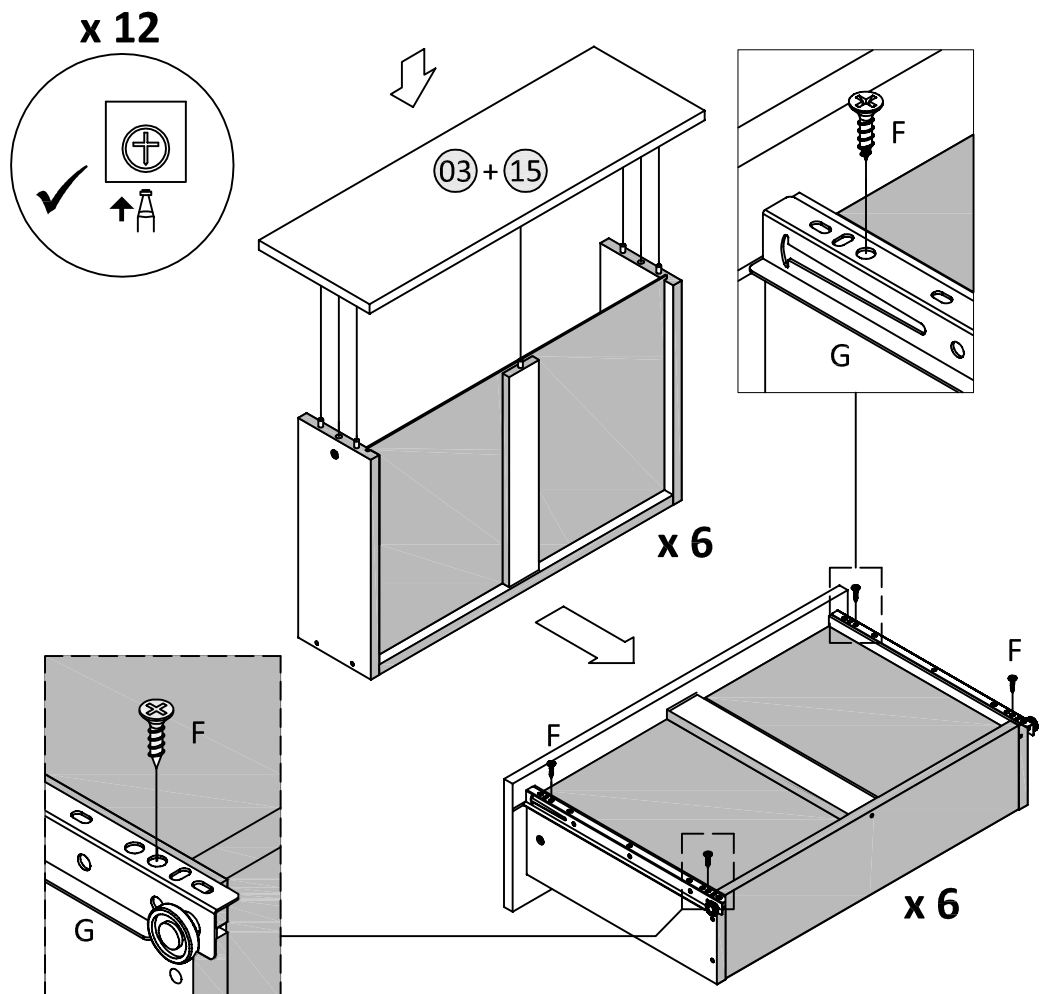
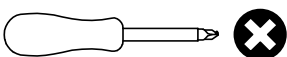
03- DRAWER FRONT (LEFT)	x3
15- DRAWER FRONT (RIGHT)	x3



HARDWARE REQUIRED

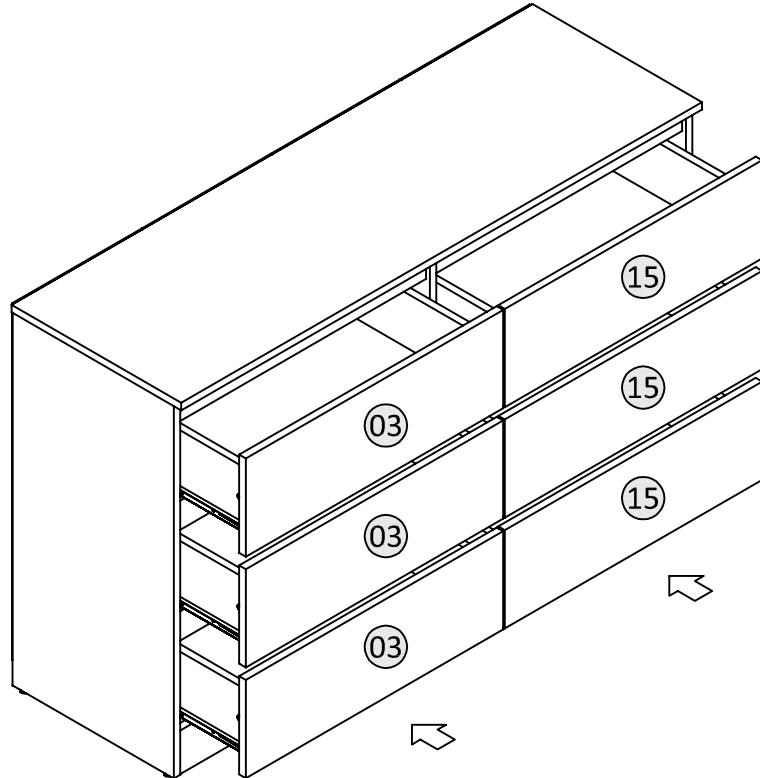
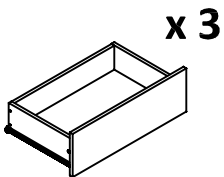
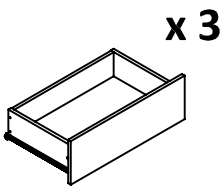
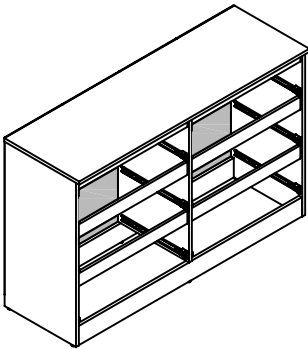
F		24
G		06

TOOLS REQUIRED



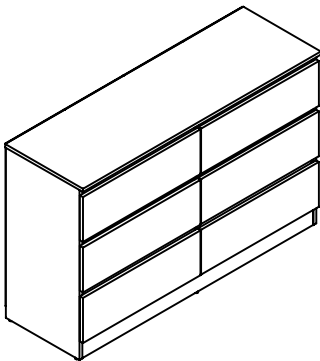
STEP 19

PARTS REQUIRED

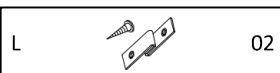


STEP 20

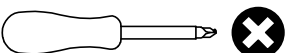
PARTS REQUIRED



HARDWARE REQUIRED



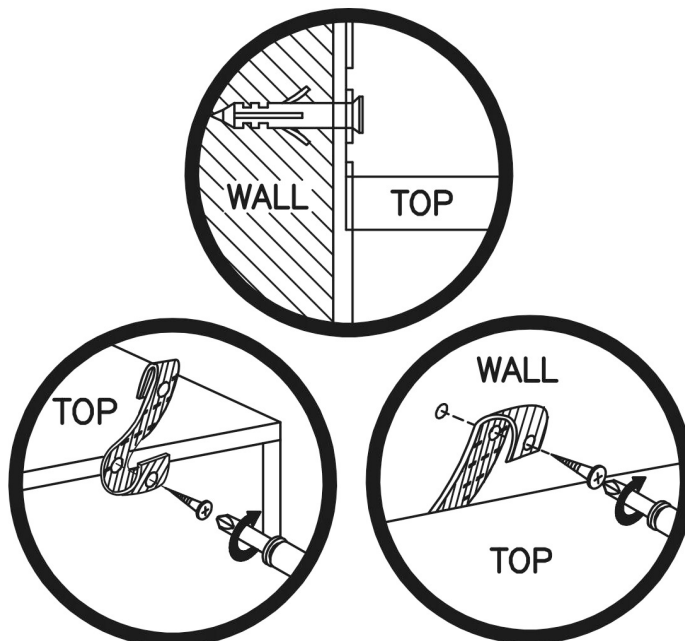
TOOLS REQUIRED



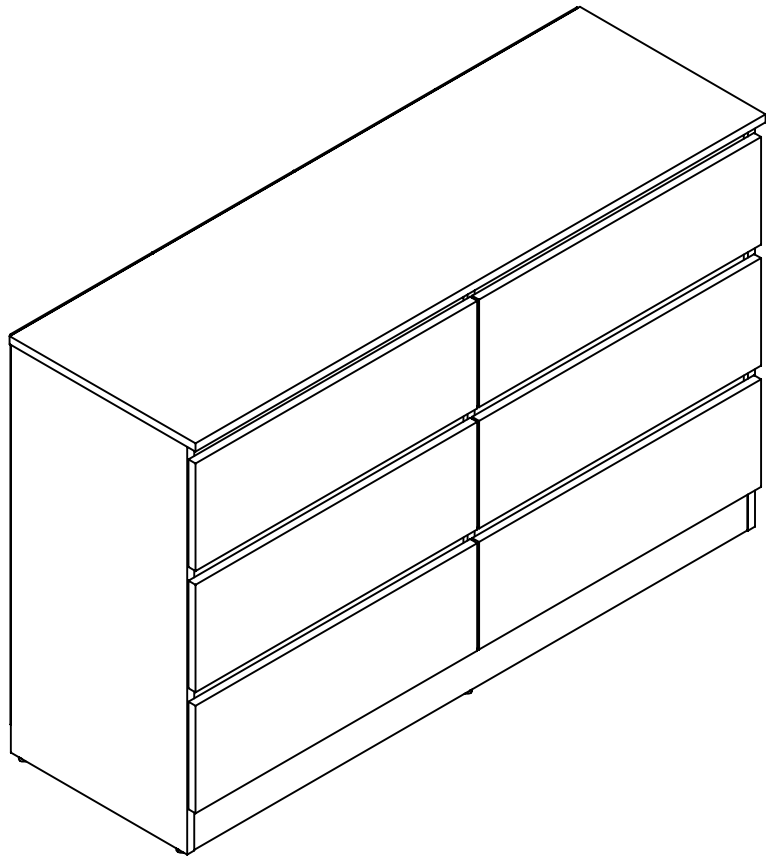
WARNING

Serious or fatal injuries can occur from furniture tipping over. To prevent the furniture from tipping over we recommend that it is permanently fixed to the wall.

Wall fixings are not supplied with this product as different wall materials require different types of fixing devices. Please make sure you use fixings suitable for the walls in your home.



STEP 21



FINISH