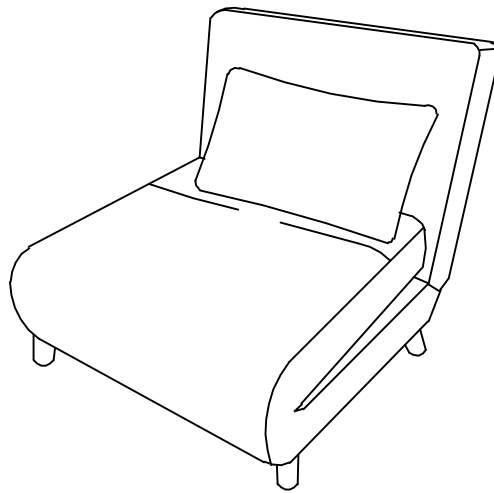


ASTORIA CHAIR BED ASSEMBLY INSTRUCTIONS



IMPORTANT FOR DOMESTIC USE ONLY PLEASE READ BEFORE YOU CONTINUE FURTHER

THE PRODUCT YOU HAVE PURCHASED WILL GIVE YOU MANY YEARS OF SERVICE IF YOU FOLLOW THE GUIDELINES FOR ITS SAFE ASSEMBLY AND PERIODIC MAINTENANCE AND CLEANING.

ASSEMBLE ON A SOFT CLEAN SURFACE.

DO NOT USE ANY TOOLS OTHER THAN THOSE SHOWN

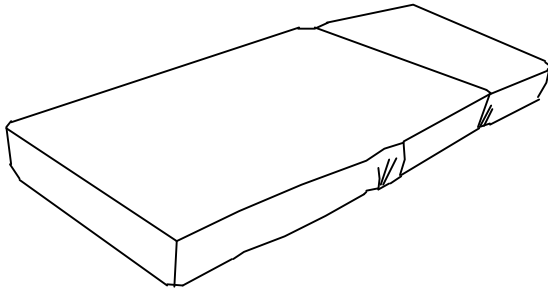
ANY SPANNERS OR ALLEN KEYS REQUIRED ARE INCLUDED WITH THE FITTINGS KIT.

DO NOT FOR ANY REASON USE A POWER TOOL TO ASSEMBLE THIS PRODUCT. ITS USE WILL INVALIDATE ANY CLAIM YOU MAY HAVE AND COULD MAKE THIS PRODUCT UNSAFE.

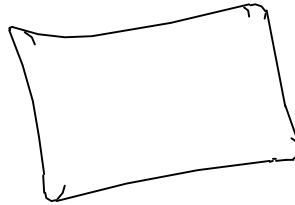
DEPENDING ON THE AMOUNT OF USE THIS PRODUCT RECEIVES IT MAY BE NECESSARY TO TIGHTEN UP THE FIXINGS FROM TIME TO TIME. THIS IS COMPLETELY NORMAL FOR ANY FLAT PACK FURNITURE.
DO NOT OVERTIGHTEN FIXINGS.

FOR CLEANING YOU MAY USE A DAMP CLOTH (NOT WET).

THE SURFACE OF THIS ITEM IS NOT HEAT RESISTANT. ALWAYS USE A PLACE MAT UNDER HOT OR COLD ITEMS TO PREVENT MARKING.



1



2







3

PARTS LIST

Part Number	Part Description	Quantity	Carton
1	Sofa Bed	1	1/1
2	Sofa Pillow	1	1/1
3	Legs	4	1/1

HARDWARE LIST

No.	Part Name		Qty
A	Allen Key		01
B	Bolt 5/16" x 2-3/4"		04
C	Spring Washer 5/16"		04
D	Flat Washer 5/16" x 16mm		04

STEP 1

UN-ZIP AND FOLD OUT LEGS.

PARTS REQUIRED

1 - SOFA BED x1

3 - LEGS x4

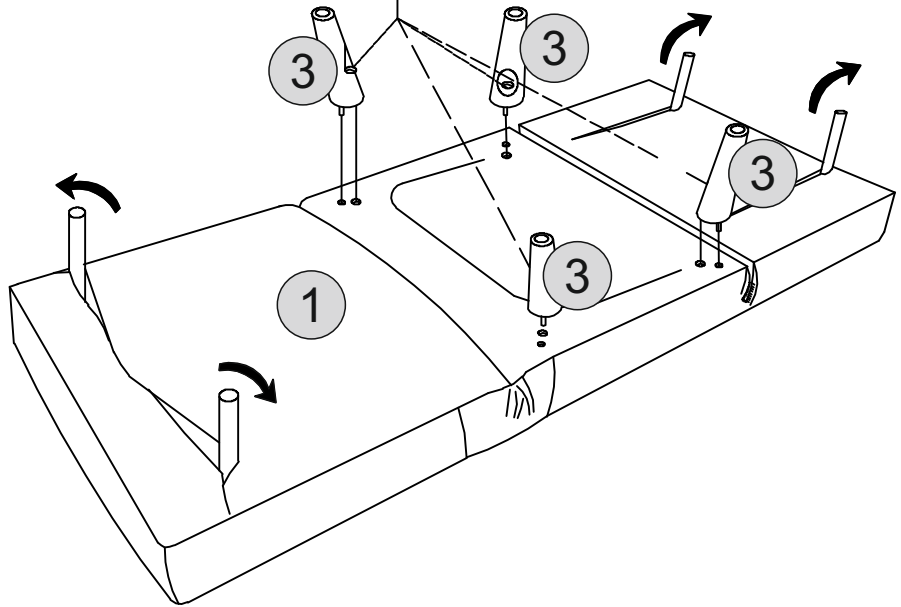
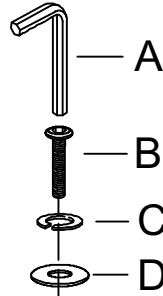
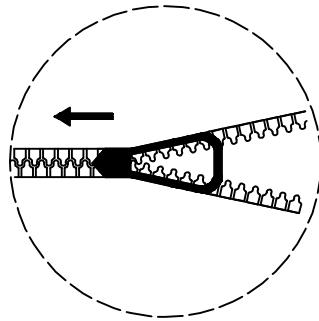
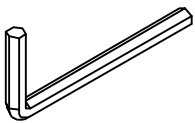
HARDWARE REQUIRED

B  04

C  04

D  04

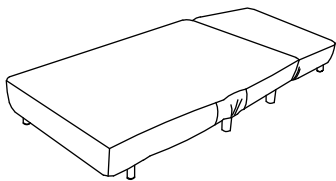
TOOLS REQUIRED



STEP 2

PARTS REQUIRED

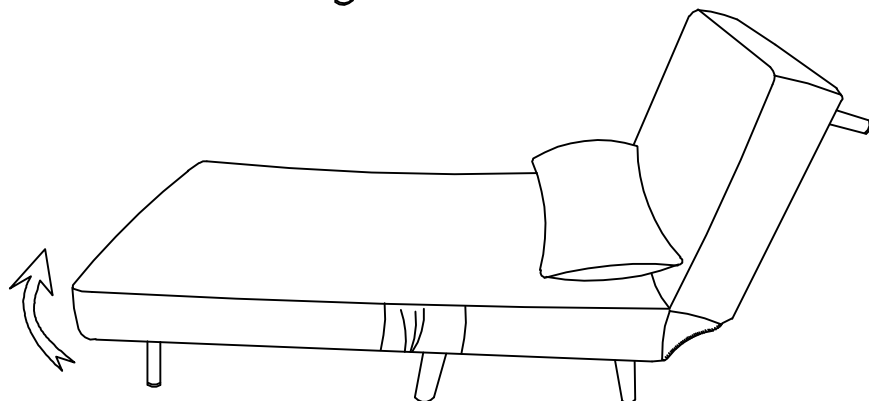
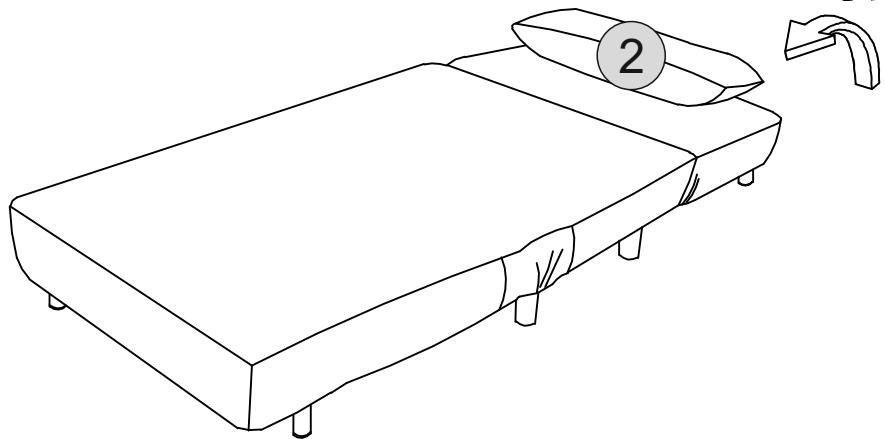
2 - SOFA PILLOW x1



HARDWARE REQUIRED

TOOLS REQUIRED

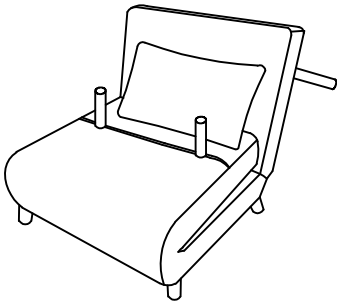
CLICK



STEP 3

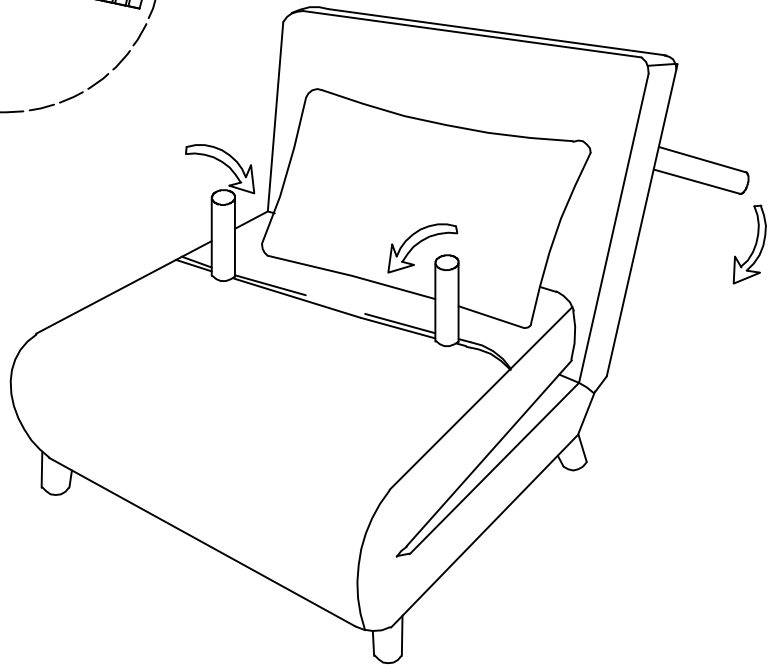
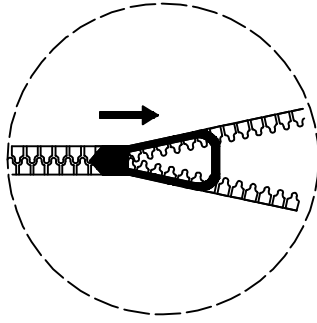
ZIP-UP AND FOLD AWAY LEGS.

PARTS REQUIRED



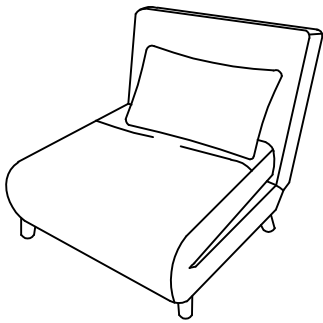
HARDWARE REQUIRED

TOOLS REQUIRED



STEP 4

PARTS REQUIRED



HARDWARE REQUIRED

TOOLS REQUIRED

