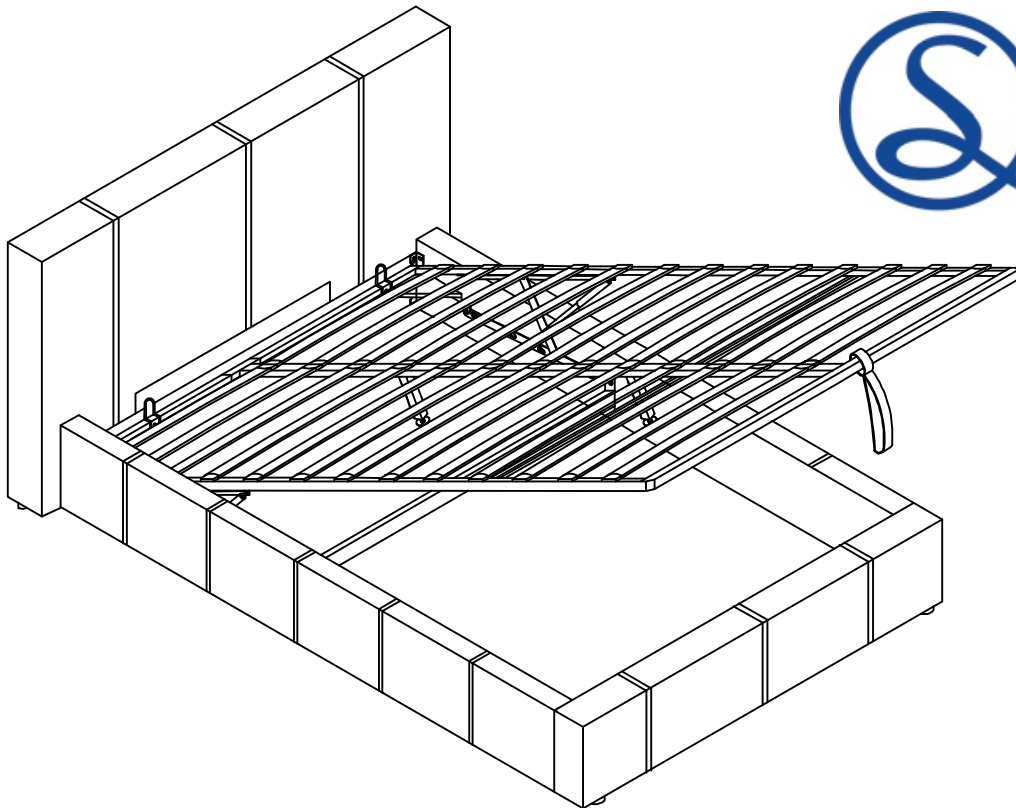


GREY CRUSHED VELVET WAVERLEY 4'6" STORAGE BED ASSEMBLY INSTRUCTIONS



**FOR DOMESTIC USE ONLY
IMPORTANT**

PLEASE READ BEFORE YOU CONTINUE FURTHER

THE PRODUCT YOU HAVE PURCHASED WILL GIVE YOU MANY YEARS OF SERVICE IF YOU FOLLOW THE GUIDELINES FOR ITS SAFE ASSEMBLY AND PERIODIC MAINTENANCE AND CLEANING.

ASSEMBLE ON A SOFT CLEAN SURFACE.

DO NOT USE ANY TOOLS OTHER THAN THOSE SHOWN.

ANY SPANNERS OR ALLEN KEYS REQUIRED ARE INCLUDED WITH THE FITTINGS KIT.

DO NOT FOR ANY REASON USE A POWER TOOL TO ASSEMBLE THIS PRODUCT. ITS USE WILL INVALIDATE ANY CLAIM YOU MAY HAVE AND COULD MAKE THIS PRODUCT UNSAFE.

DEPENDING ON THE AMOUNT OF USE THIS PRODUCT RECEIVES IT MAY BE NECESSARY TO TIGHTEN UP THE FIXINGS FROM TIME TO TIME. THIS IS COMPLETELY NORMAL FOR ANY FLAT PACK FURNITURE.

DO NOT OVERTIGHTEN FIXINGS.

FOR CLEANING YOU MAY USE A DAMP CLOTH (NOT WET).

THIS PRODUCT MAY STAIN OR MARK IF ALLOWED TO COME INTO CONTACT WITH WET OR DAMP OBJECTS AS MATERIALS USED HAVE NOT BEEN SCOTCH GUARDED.

IMPORTANT - READ CAREFULLY - RETAIN THESE INSTRUCTIONS FOR FUTURE REFERENCE.

INFORMATION

- This product is intended for a maximum person's weight of 100kg per side. Do not exceed this weight.
- Due to the size of this product we recommend that it is assembled in the room intended for use.
- When you are ready to start, make sure that you have the right tools, plenty of space and a clean, dry area for assembly.
- Unwrap all packaging materials and place the components on top of the carton box or on a clean floor to prevent it from scratching.
- Check the pack and make sure you have all the parts listed.
- Ensure that this product is fully assembled and secured as illustrated before use.
- Check all screws or bolts are tightened and inspect regularly.
- This product should only be used on firm, level ground.
- Please dismantle for transportation
- Tools are included.

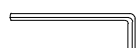
WARNINGS

- Only use the storage compartment when the frame is fully raised in the up position.
- DO make sure the legs remain in contact with the ground.
- DO keep small parts out of reach of children.
- DO use caution when operating, this bed uses a pressured mechanism.
- DO keep hands and fingers clear of the mechanism when opening and closing the bed for use.
- DO NOT use power tools to construct this product.
- DO NOT tighten screws until fully assembled.
- DO NOT over tighten screws or bolts.
- DO NOT use this product if parts are missing, damaged or worn.
- DO NOT stand on the product.
- DO NOT remain on the bed whilst the lifting mechanism is in use.
- DO NOT expose this product to dripping or splashing, rain or areas with heavy moisture.
- DO NOT place any objects filled with liquids, such as vases, on the product.
- DO NOT insert foreign objects into the product or attempt to repair this unit by yourself.
- DO NOT place the product in direct sunlight, open flames such as candles or heat, such as radiators. Keep away from temperatures over 35 °C.

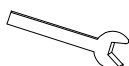
CARE INFORMATION

- Never use scourers, abrasives or chemical cleaners.
- To clean wipe with a sponge and warm soapy water. Do not use solvent based cleaners or detergents as they can bleach or damage the product.

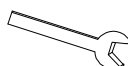
Tools Required



5mm Allen key x 1



12mm Spanner x 1



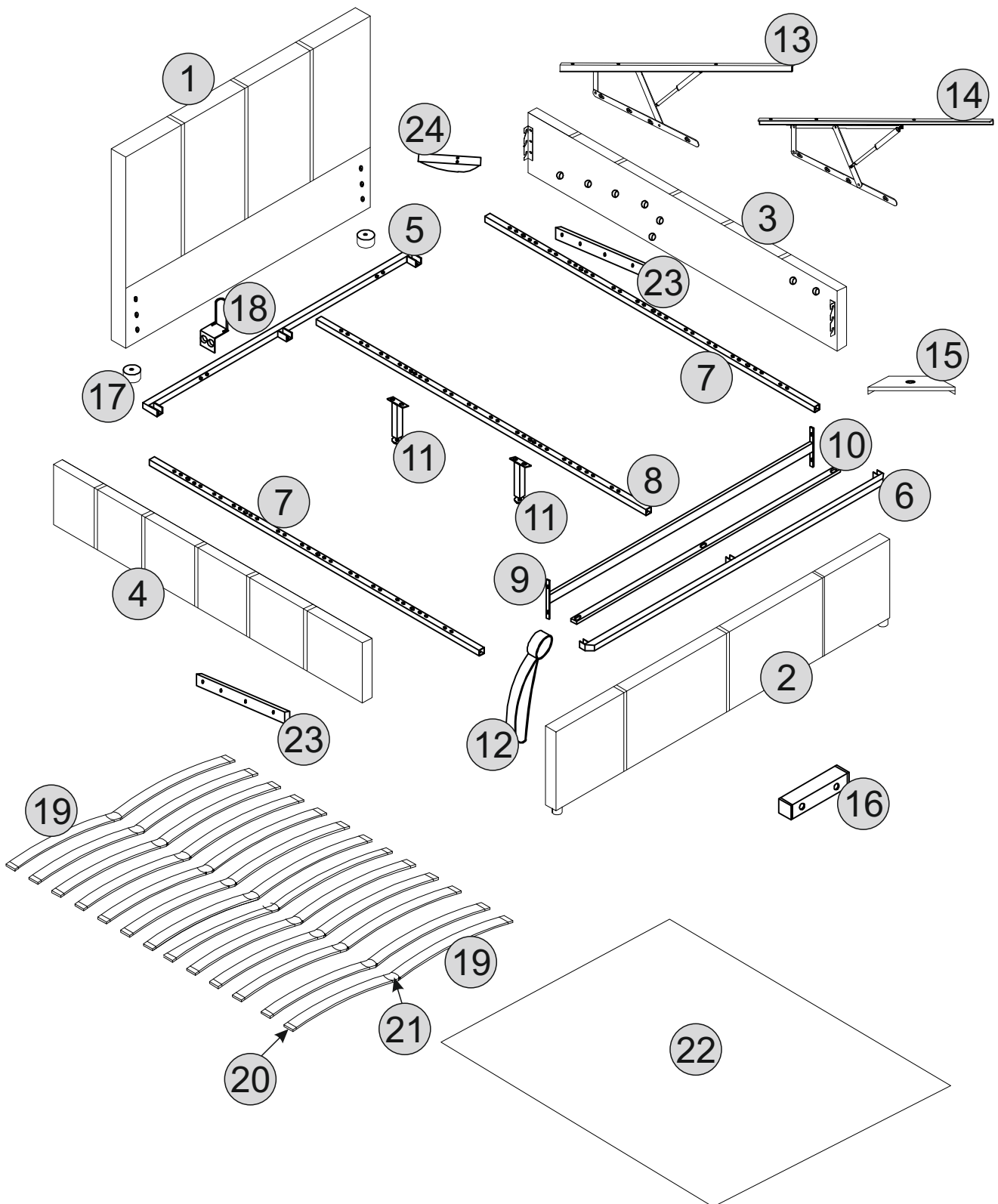
13mm Spanner x 1



x 2



1.5 Hour
Set Up



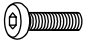






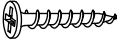
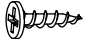

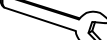
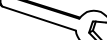
Please check the pack contents before assembling the product. If any components are missing, please contact your retailer. The fittings pack contains small items that should be kept away from small children.

PART LIST

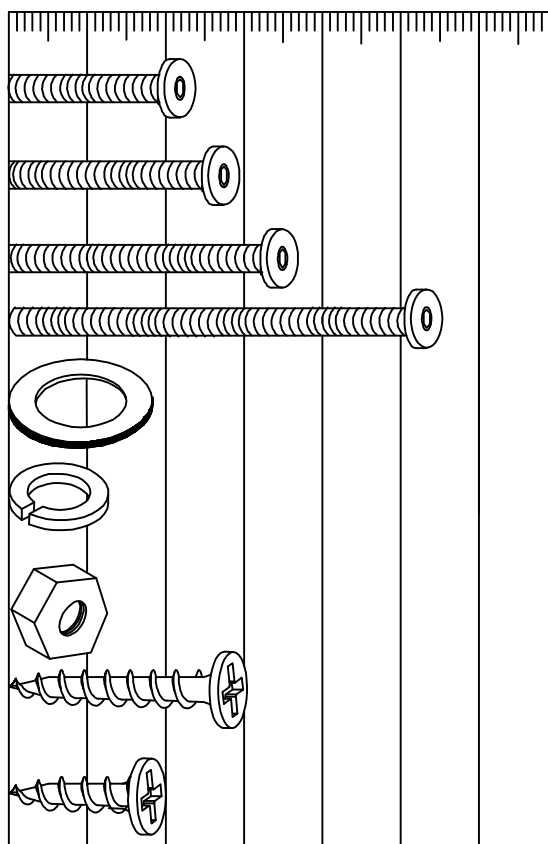
Part Number	Part Code	Part Description	Quantity	Carton
1	S200-203-116-TN1-01	Headboard	1	1/2
2	S200-203-116-TN1-02	Footboard	1	1/2
3	S200-203-116-TN1-03	Left Side Rail	1	2/2
4	S200-203-116-TN1-04	Right Side Rail	1	2/2
5	S200-203-116-TN1-05	Front Frame Rail	1	2/2
6	S200-203-116-TN1-06	Back Frame Rail	1	2/2
7	S200-203-116-TN1-07	Frame Side Rail	2	2/2
8	S200-203-116-TN1-08	Frame Centre Rail	1	2/2
9	S200-203-116-TN1-09	Centre Frame Rail	1	1/2
10	S200-203-116-TN1-10	Cross Rail	1	2/2
11	S200-203-116-TN1-11	Support Leg	2	1/2
12	S200-203-116-TN1-12	Nylon Handle	1	1/2
13	S200-203-116-TN1-13	Left Lifting Jack	1	1/2
14	S200-203-116-TN1-14	Right Lifting Jack	1	1/2
15	S200-203-116-TN1-15	Corner Bracket	2	1/2
16	S200-203-116-TN1-16	Support Block	1	1/2
17	S200-203-116-TN1-17	Headboard Feet	2	1/2
18	S200-203-116-TN1-18	Mattress Support	2	1/2
19	S200-203-116-TN1-19	Sprung Slats	26	1/2
20	S200-203-116-TN1-20	End Slat Caps	26	1/2
21	S200-203-116-TN1-21	Centre Slat Caps	13	1/2
22	S200-203-116-TN1-22	Woven Fabric Base	1	1/2
23	S200-203-116-TN1-23	Filler Strip	2	1/2
24	S200-203-116-TN1-24	Protection Plastic Cap	4	1/2

Please check the pack contents before assembling the product. If any components are missing, please contact your retailer. The fittings pack contains small items that should be kept away from small children.

HARDWARE LIST

No	Part Name		Qty	Carton
A	5/16" x 3/4" Bolt		x12	1/2
B	5/16" x 1" Bolt		x24	1/2
C	5/16" x 1-1/4" Bolt		x8	1/2
D	5/16" x 2" Bolt		x19	1/2
E	Flat Washer 5/16" x 19mm		x63	1/2
F	Spring Washer 5/16" x 13mm		x32	1/2
G	Nut		x17	1/2
H	7 x 1-1/4" Screw		x2	1/2
I	7 x 3/4" Screw		x8	1/2
J	Allen Key		x1	1/2
K	12mm Spanner		x1	1/2
L	13mm Spanner		x1	1/2

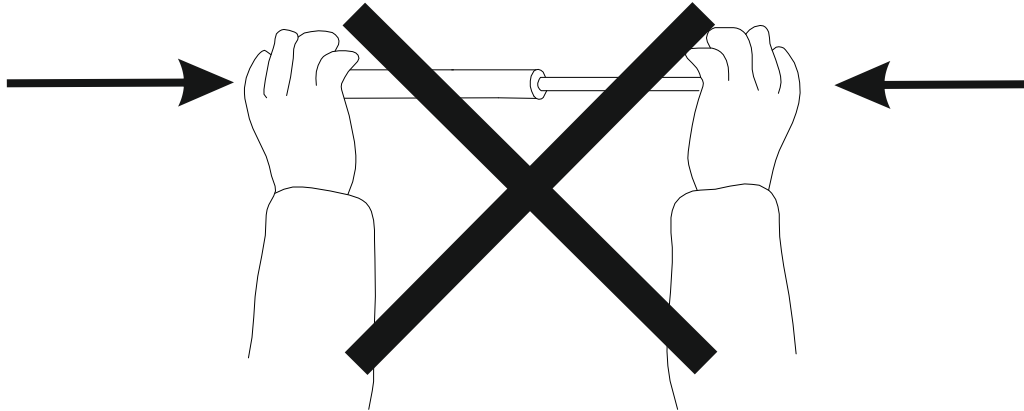
10 20 30 40 50 60 70



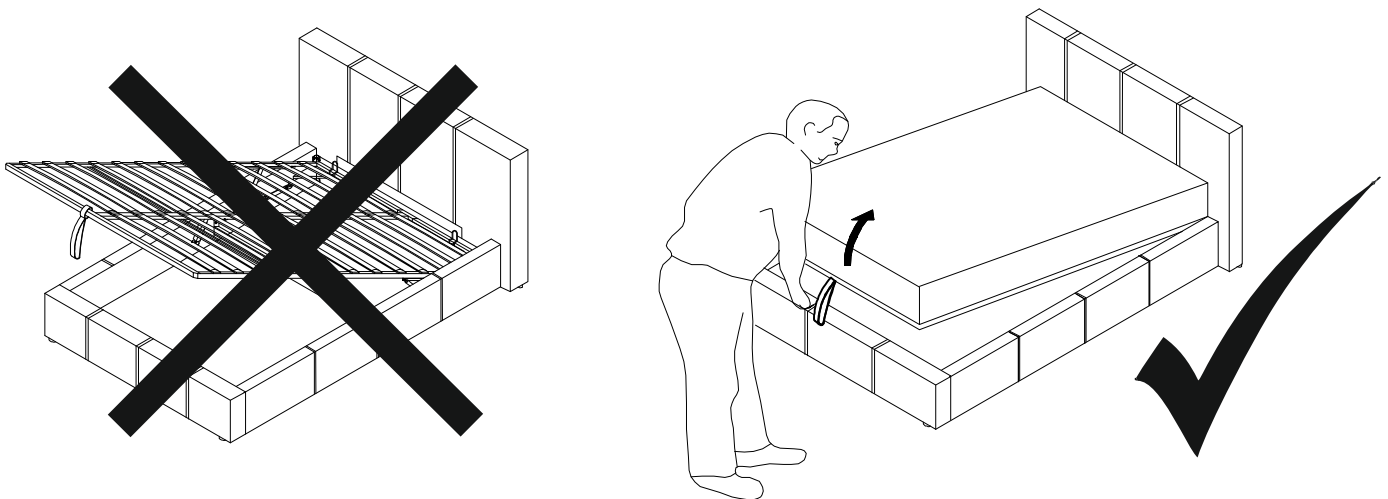
CAUTION: There are many small components used in the construction of this product. Please keep these components away from young children whilst assembling this product. If you keep the fittings in a bowl during assembly you will be less likely to lose them!

Important information!

The gas lifts used in the construction of this product are extremely strong and cannot be operated by hand when not fitted to the ottoman hinges. All gas lifts are tested in the factory for correct pressure and operation before use.



You must ensure the **MATTRESS** is on the bed frame before lifting the mechanism.
FAILURE TO DO SO MAY RESULT IN INJURY.



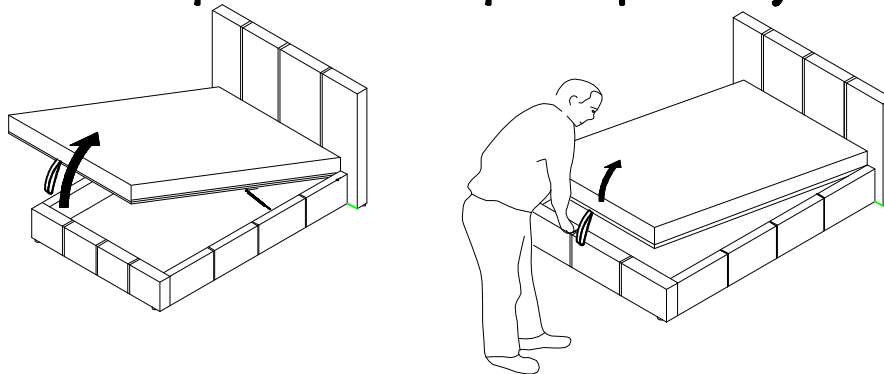
Initially it might appear that the gas lifts are very stiff when opening and closing the ottoman frame, **THIS IS NORMAL.**

After operating the ottoman a few times, the movement of the gas lifts and the opening and closing of the ottoman will become easier.

Hints and Tips

To operate the ottoman, always use 2 hands at arm's length and only where illustrated on this product. You must ensure the mattress is on the bed frame before lifting the mechanism. Failure to do so may result in injury.

To ensure your safety please do not stand too close in case the frame bounces up. The weight of the mattress loaded on the frame will keep the frame in a lower position until it is pulled upwards by the user.



If removing the mattress, make sure the frame is secured so it does not flip open. When lifting the bed frame, remove pillows and covers.

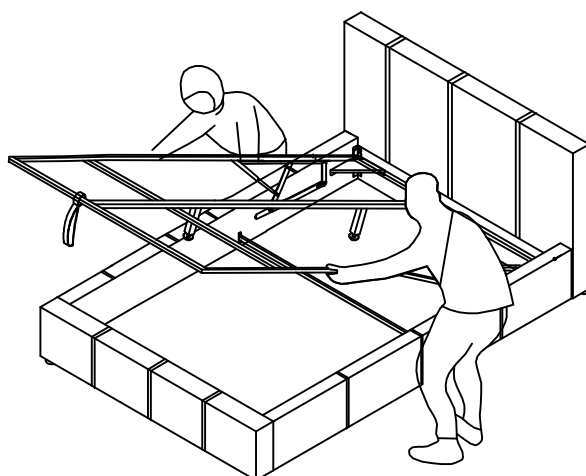
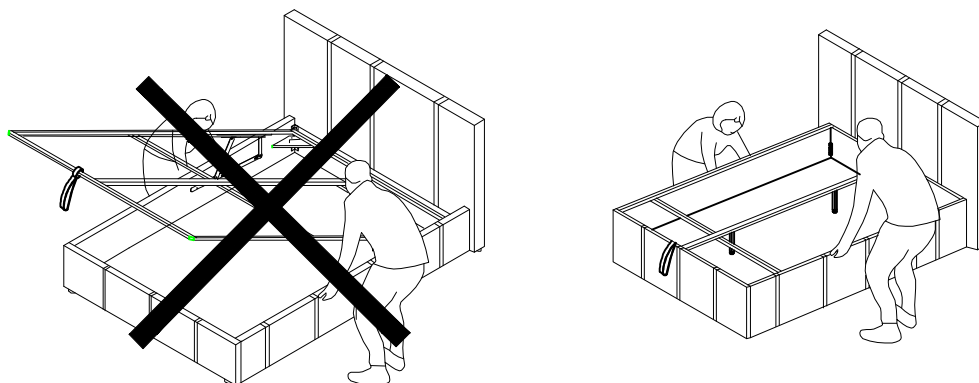
PLEASE NOTE - It takes a lot of force to make the initial movement of the ottoman - **THIS IS A DESIGN FEATURE OF THE PRODUCT SO THAT IT DOES NOT FALL SHUT** - and the nearer to being closed the ottoman is, the easier it is to move. When the ottoman is almost shut, it will close completely under its own weight.

When lowering the slat unit for the first time, take care to make sure it does not rub unevenly on the inside face of the Side Rail. If it does, the bed has been assembled slightly out of square. This can be rectified by moving the Footboard of the bed slightly to the left or right whilst leaving the headboard of the bed frame stationary.

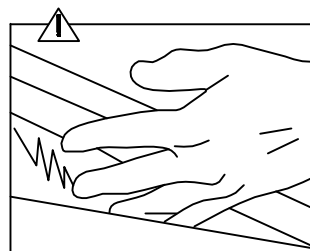
Tip for difficulty with compression:

If you are experiencing difficulty with the initial compression try fitting one piston at a time (following the Assembly Instructions) then press down on the side of the frame with the piston fitted - this acts like a big lever (The weight of the mattress can be used to supplement the load exerted). Effectively you are doubling the amount of force applied, because you have halved the resistance offered by the pistons. It can take slightly more effort than you might feel comfortable applying to the bed frame at first.

Do not attempt to move the bed whilst the frame is in the upright position.



Hand entrapment

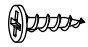


STEP 1

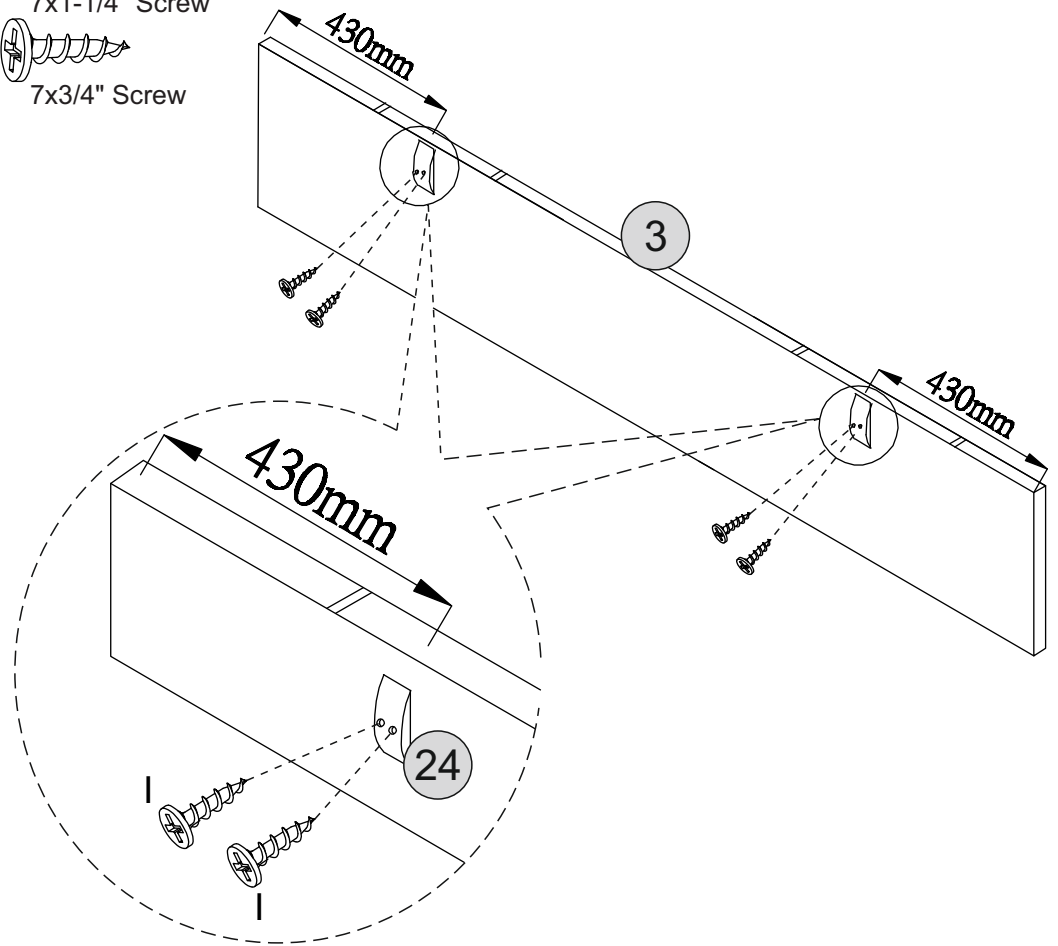
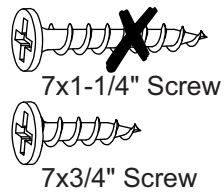
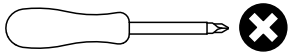
PARTS REQUIRED

- 3 - RIGHT SIDE RAIL x1
- 24 - PROTECTION PLASTIC CAP x2

HARDWARE REQUIRED

- 1  04

TOOLS REQUIRED




STEP 2

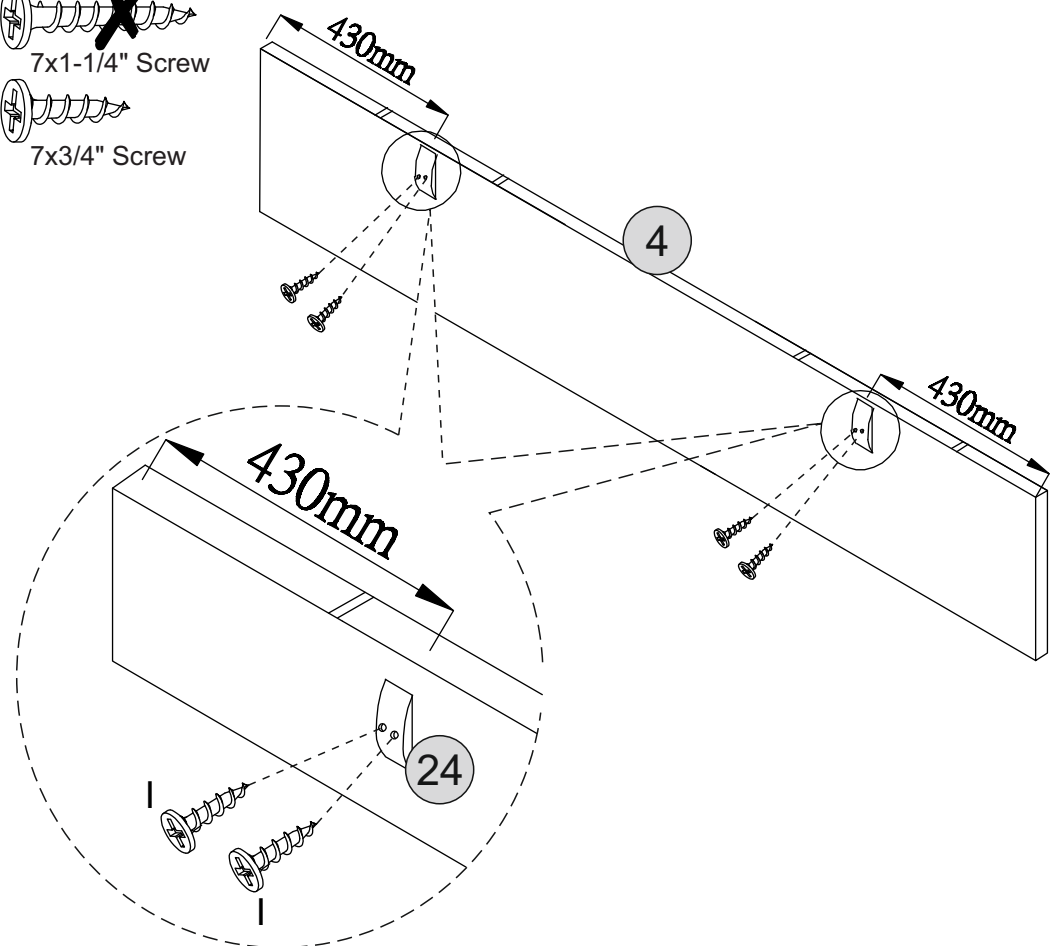
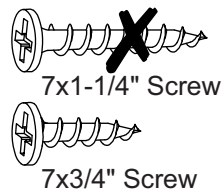
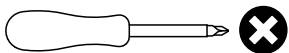
PARTS REQUIRED

- 4 - LEFT SIDE RAIL x1
- 24 - PROTECTION PLASTIC CAP x2

HARDWARE REQUIRED

- 1  04

TOOLS REQUIRED




STEP 3

PARTS REQUIRED

2 - FOOTBOARD x1

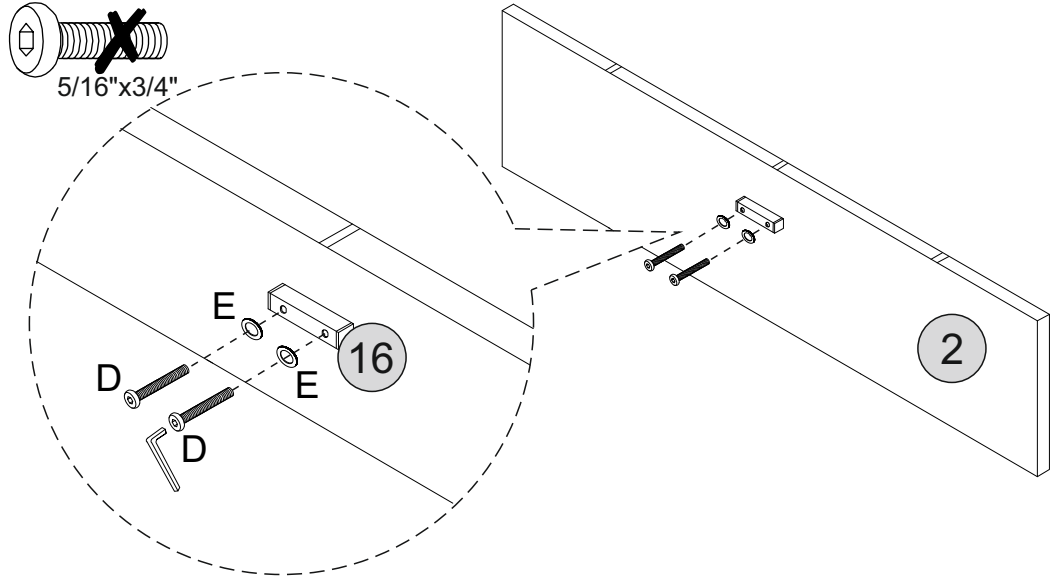
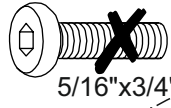
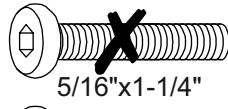
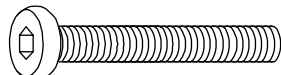
16 - SUPPORT BLOCK x1

HARDWARE REQUIRED

D  02
5/16"x2"

E  02

TOOLS REQUIRED



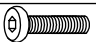
STEP 4

PARTS REQUIRED

1 - HEADBOARD x1

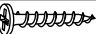
17 - HEADBOARD FEET x2

HARDWARE REQUIRED

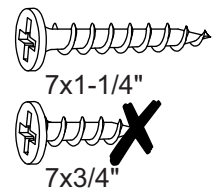
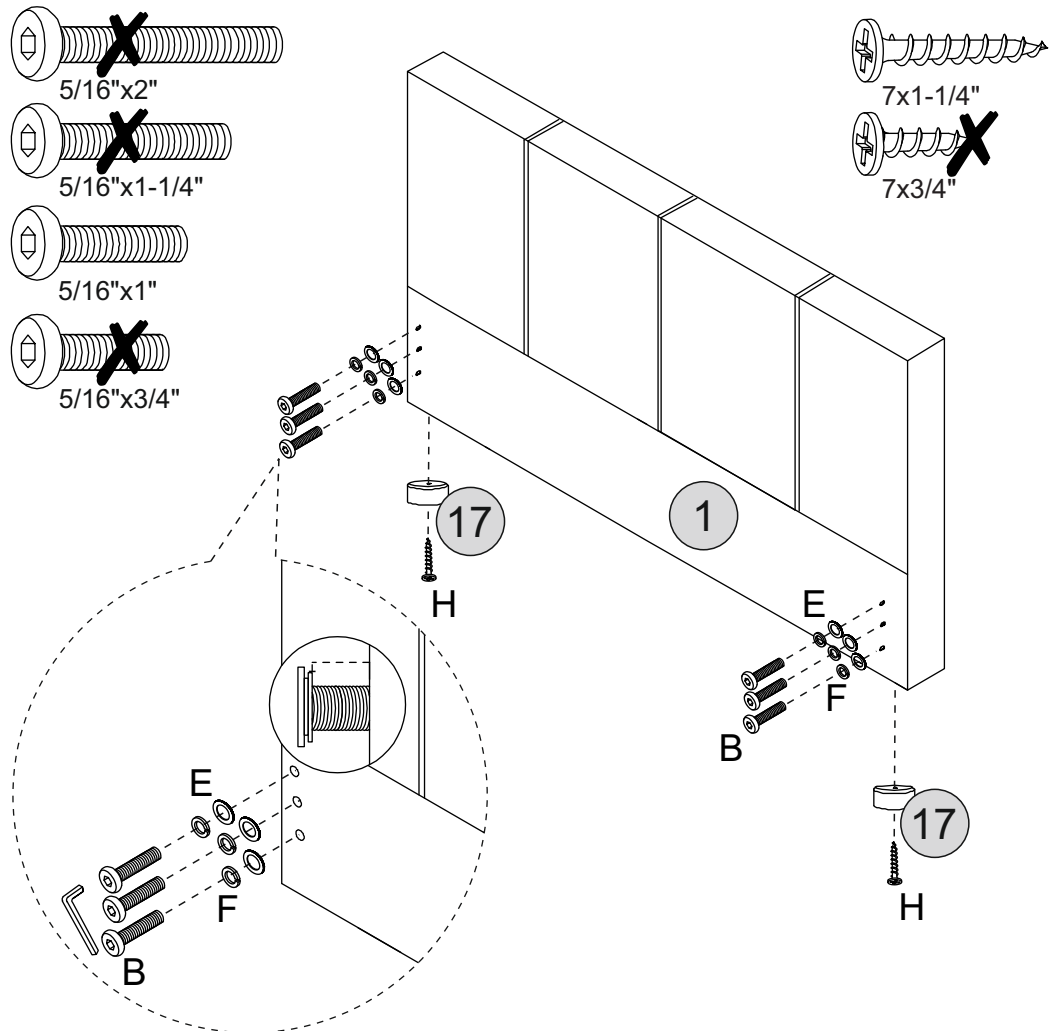
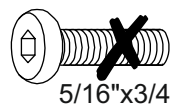
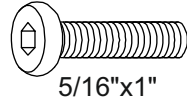
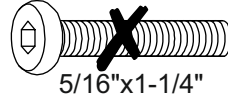
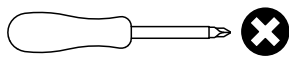
B  06
5/16"x1"

E  06

F  06

H  02
7x1-1/4"

TOOLS REQUIRED

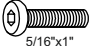


STEP 5


PARTS REQUIRED

2 - FOOTBOARD	x1
---------------	----

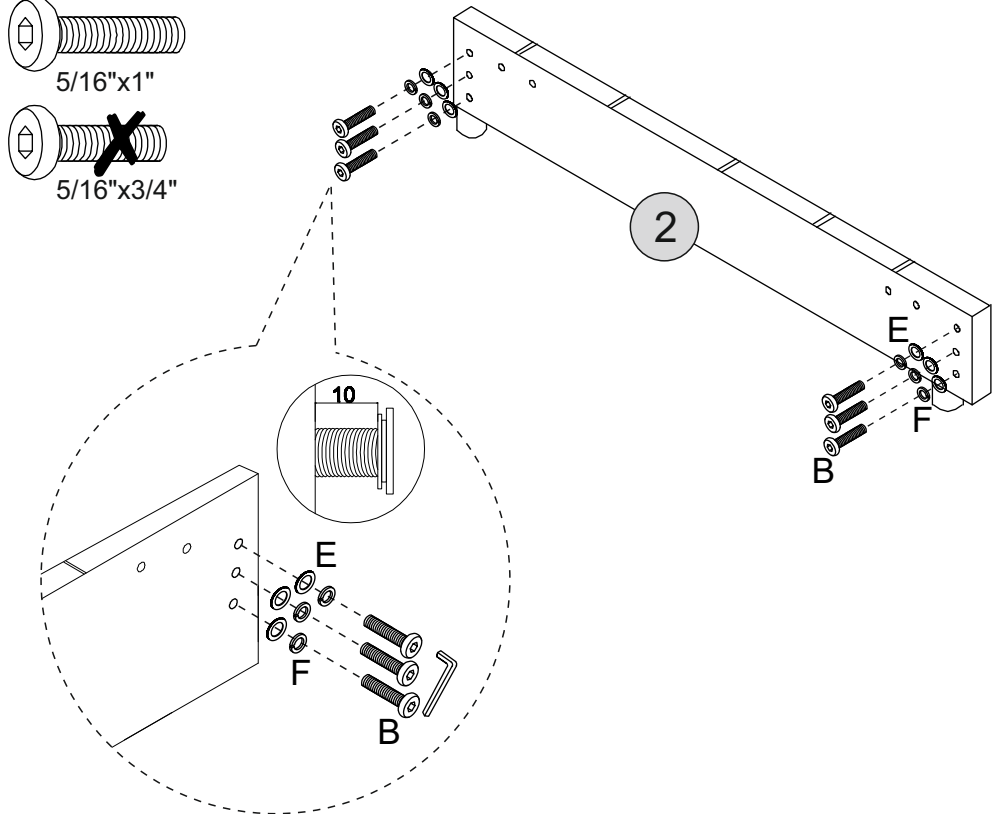
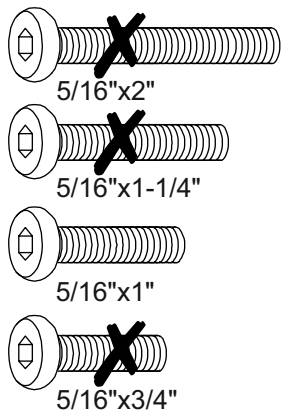
HARDWARE REQUIRED

B		06
---	---	----

E		06
---	---	----

F		06
---	---	----

TOOLS REQUIRED



STEP 6

PARTS REQUIRED

1 - HEADBOARD	x1
---------------	----

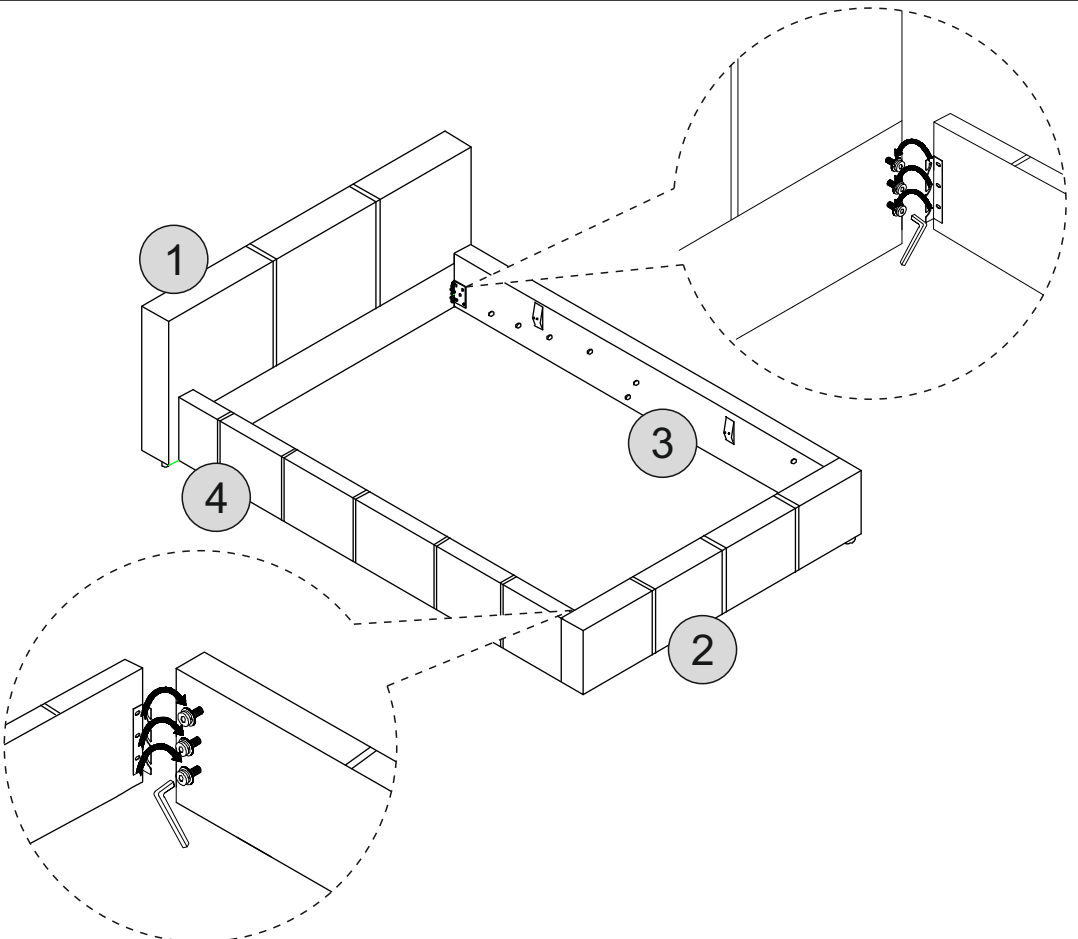
2 - FOOTBOARD	x1
---------------	----

3 - LEFT SIDE RAIL	x1
--------------------	----

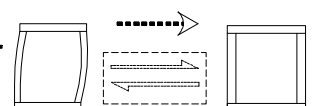
4 - RIGHT SIDE RAIL	x1
---------------------	----

HARDWARE REQUIRED

TOOLS REQUIRED



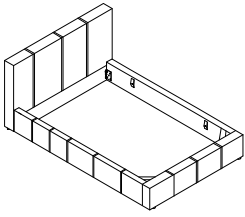
MAKE CERTAIN THE BED IS SQUARE AS SHOWN.
Note: THEN tighten all bolts 100% using allen key



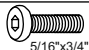
STEP 7

PARTS REQUIRED

15 - CORNER BRACKET x2

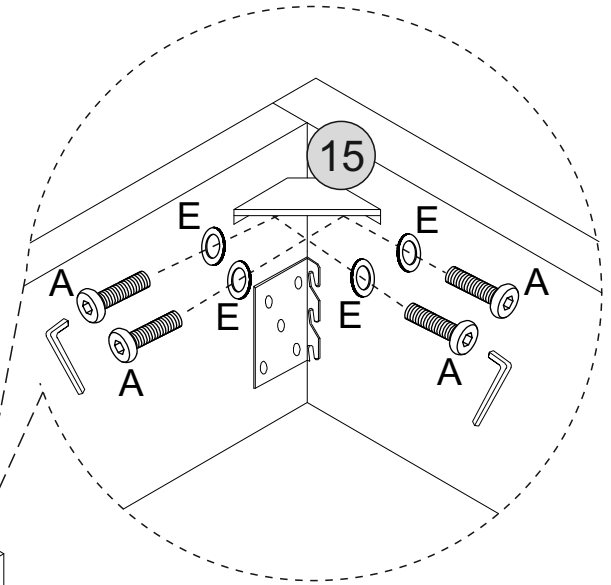
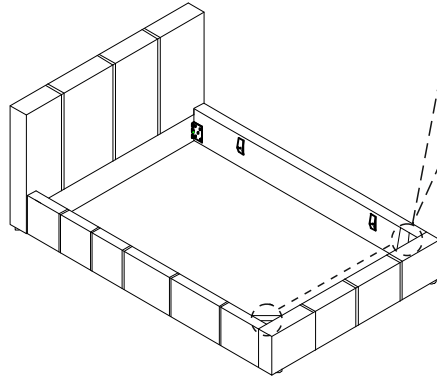
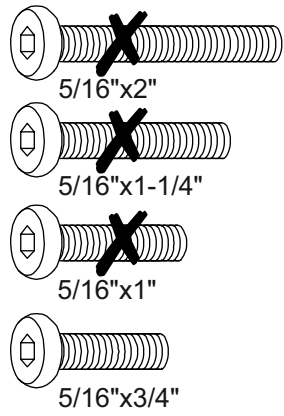


HARDWARE REQUIRED

A  08
5/16"x3/4"

E  08

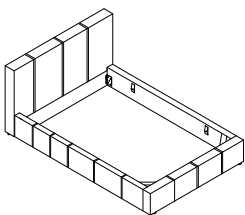
TOOLS REQUIRED



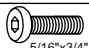
STEP 8

PARTS REQUIRED

9 - CENTRE FRAME RAIL x1

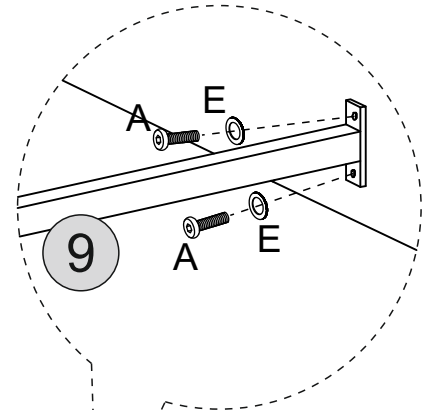
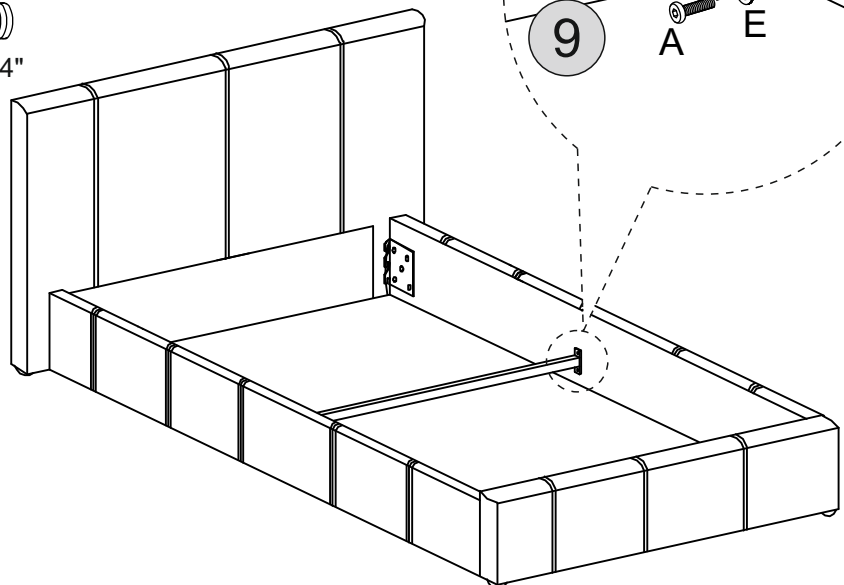
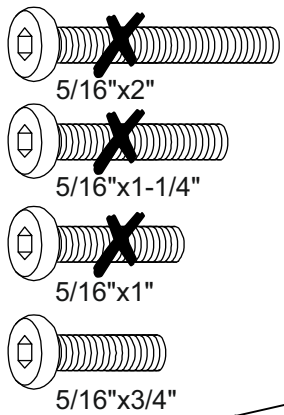


HARDWARE REQUIRED

A  04
5/16"x3/4"

E  04

TOOLS REQUIRED

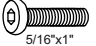




STEP 9

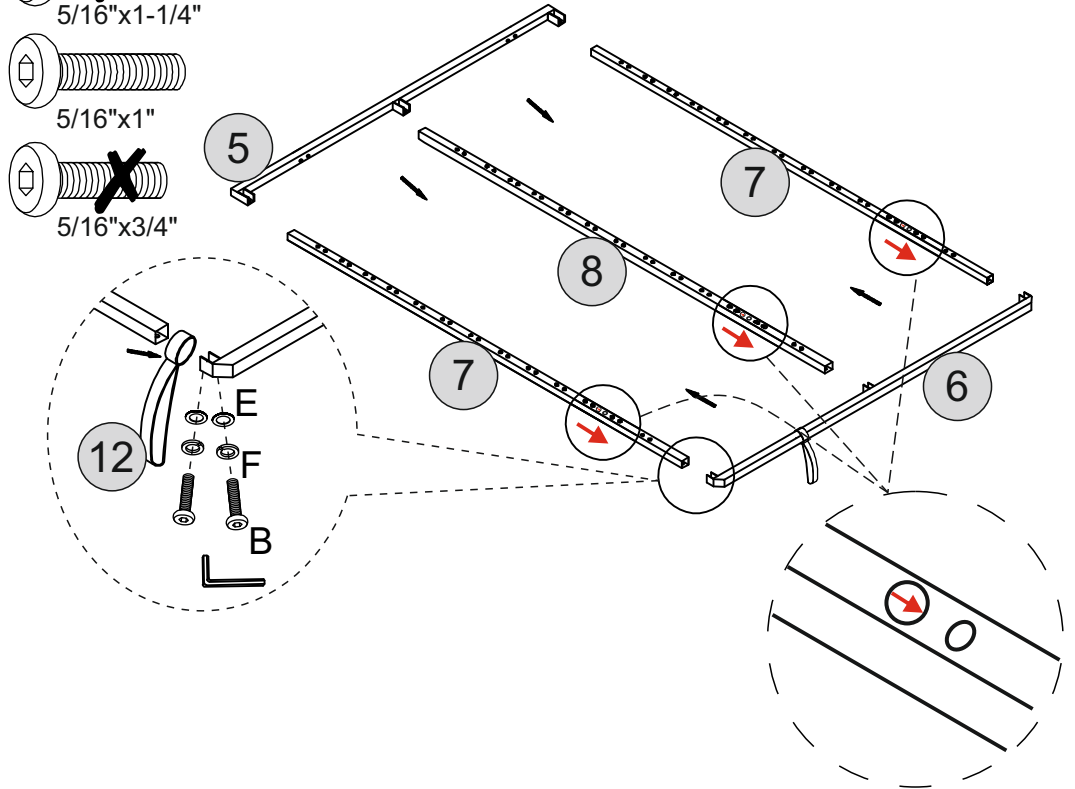
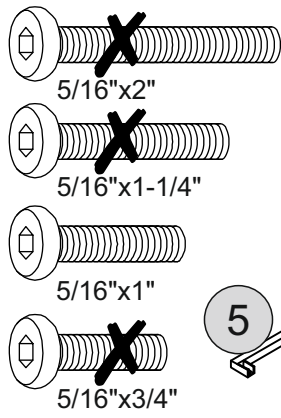
PARTS REQUIRED

5 - FRONT FRAME RAIL	x1
6 - BACK FRAME RAIL	x1
7 - FRAME SIDE RAIL	x2
8 - FRAME CENTRE RAIL	x1
12 - NYLON HANDLE	x1

HARDWARE REQUIRED

B		12
E		12
F		12

TOOLS REQUIRED

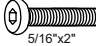




STEP 10

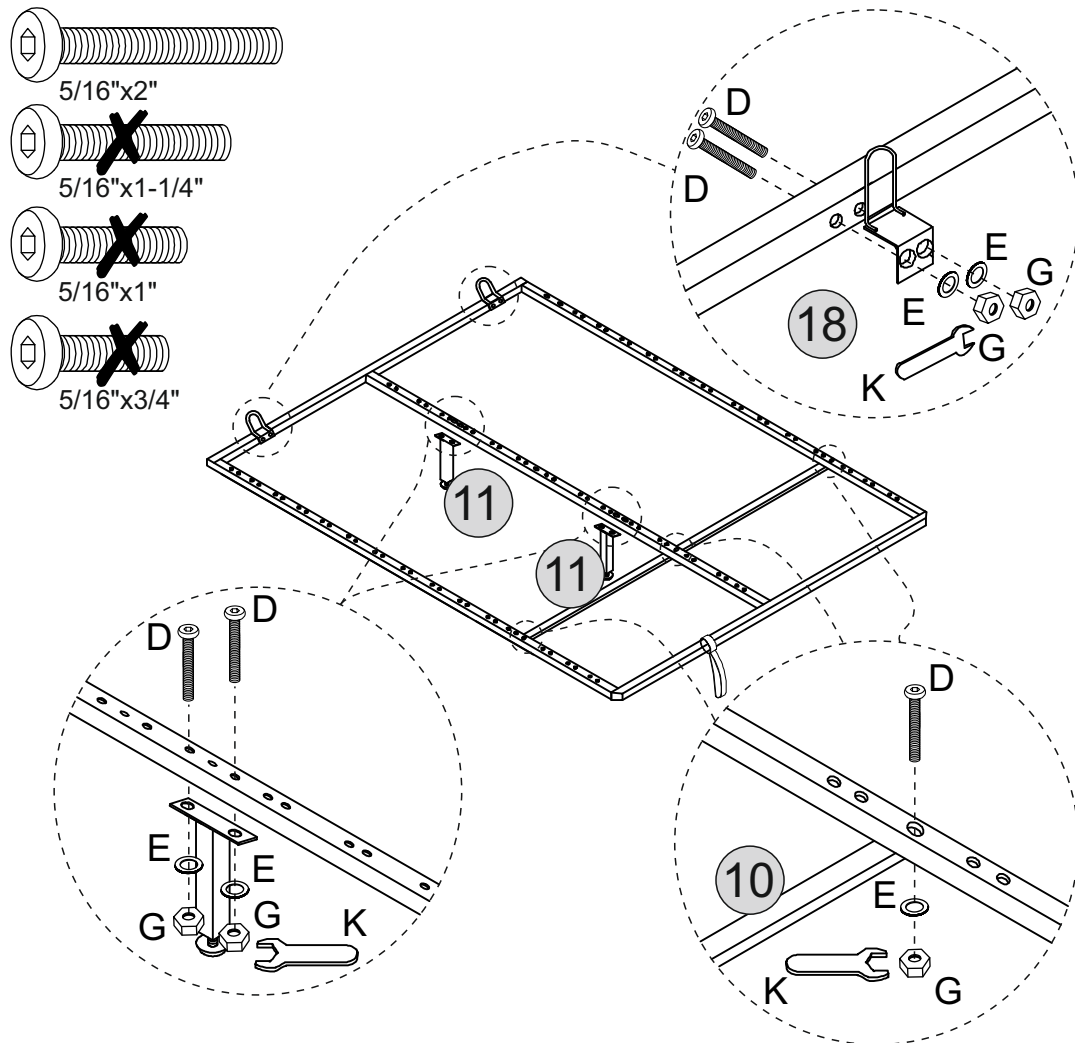
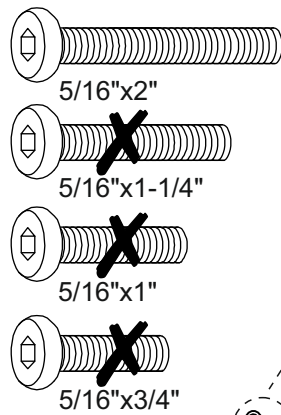
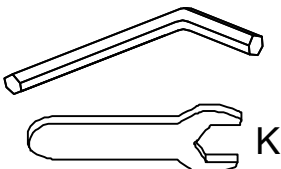
PARTS REQUIRED

10 - CROSS RAIL	x1
11 - SUPPORT LEG	x2
18 - MATTRESS SUPPORT	x2

HARDWARE REQUIRED

D		11
E		11
G		11

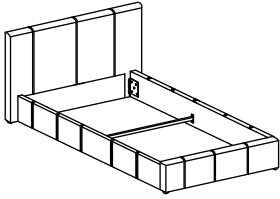
TOOLS REQUIRED



STEP 11

PARTS REQUIRED

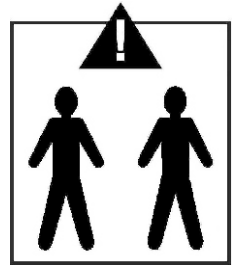
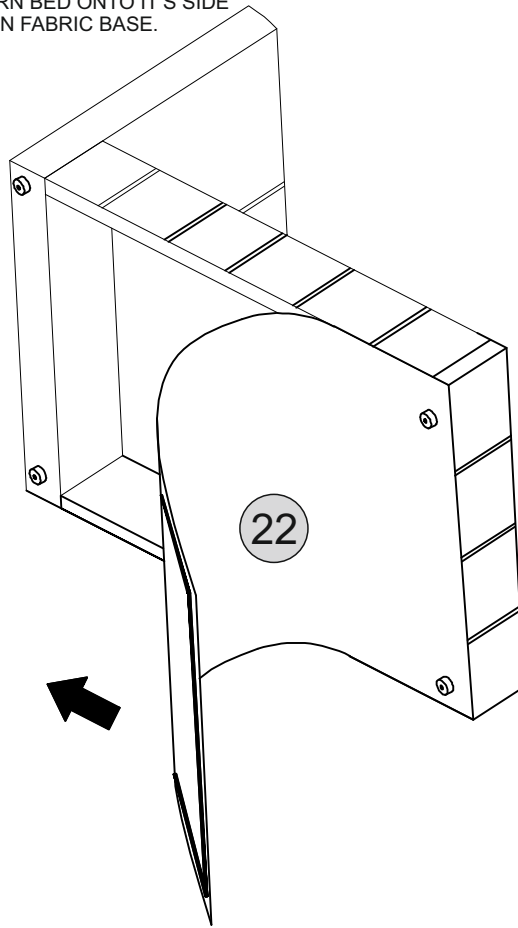
22 - WOVEN FABRIC BASE x1



HARDWARE REQUIRED

TOOLS REQUIRED

CAUTION !!
TWO PEOPLE NEEDED TO TURN BED ONTO IT'S SIDE TO ATTACH THE WOVEN FABRIC BASE.

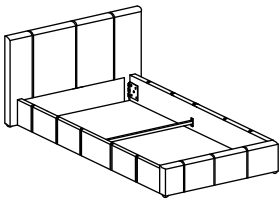


STEP 12

PARTS REQUIRED

13 - LEFT LIFTING JACK x1

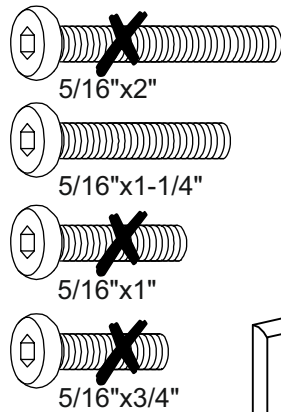
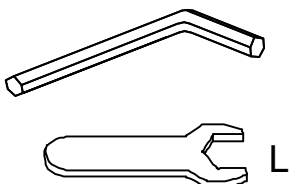
23 - FILLER STRIP x1



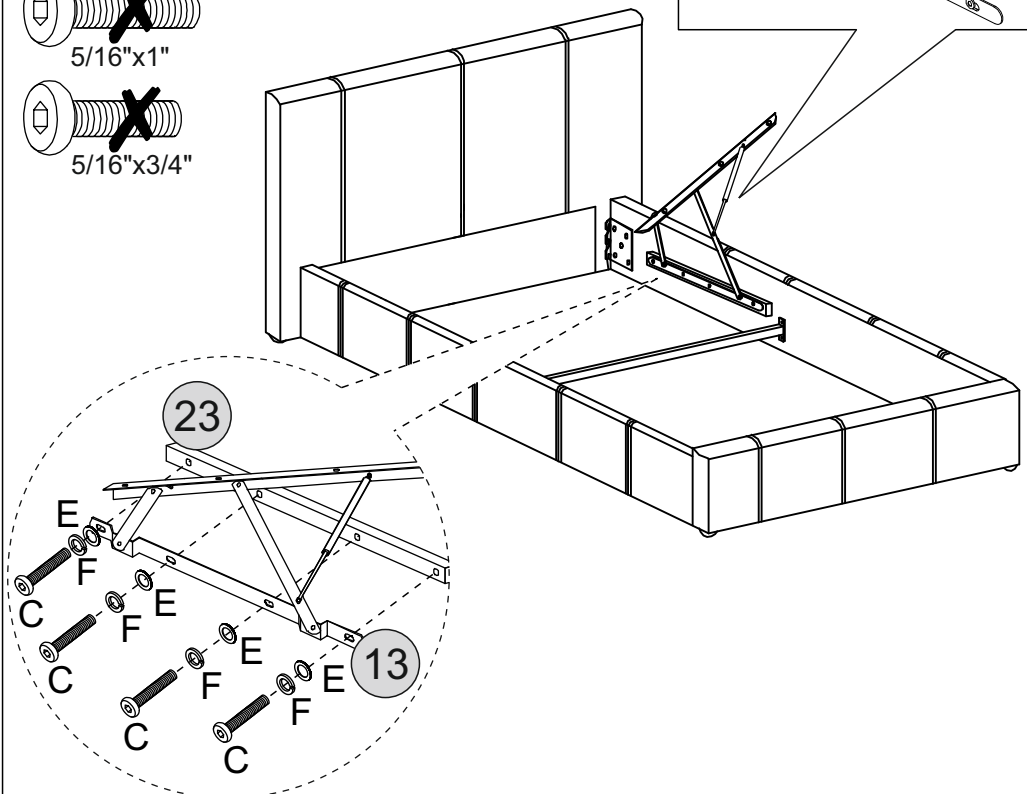
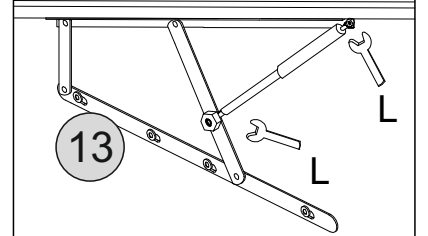
HARDWARE REQUIRED

C		04
E		04
F		04

TOOLS REQUIRED



UNSCREW NUTS FROM THE ARM.
FIT THE GAS LIFT AS BELOW AND TIGHTEN NUTS.

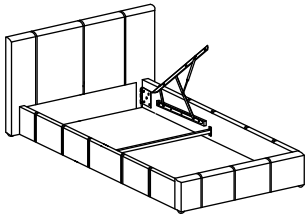


STEP 13

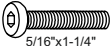
PARTS REQUIRED

14 - RIGHT LIFTING JACK x1


23 - FILLER STRIP x1



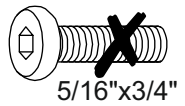
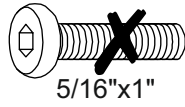
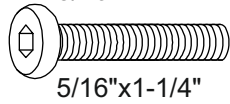
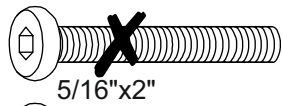
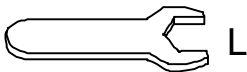
HARDWARE REQUIRED

C  04
5/16"x1-1/4"

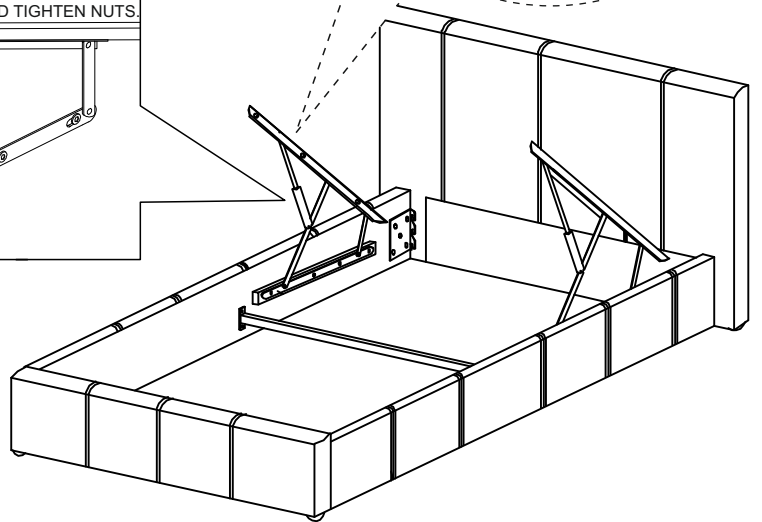
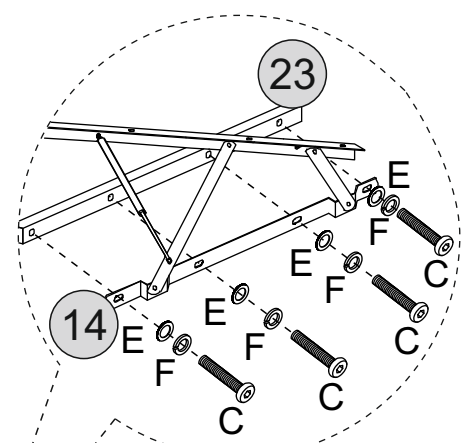
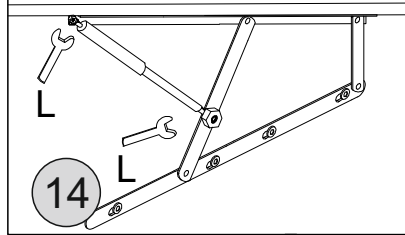
E  04

F  04

TOOLS REQUIRED

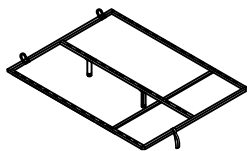
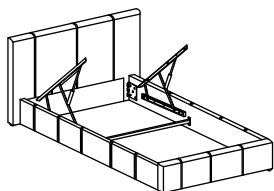


UNSCREW NUTS FROM THE ARM.
FIT THE GAS LIFT AS BELOW AND TIGHTEN NUTS.




STEP 14

PARTS REQUIRED



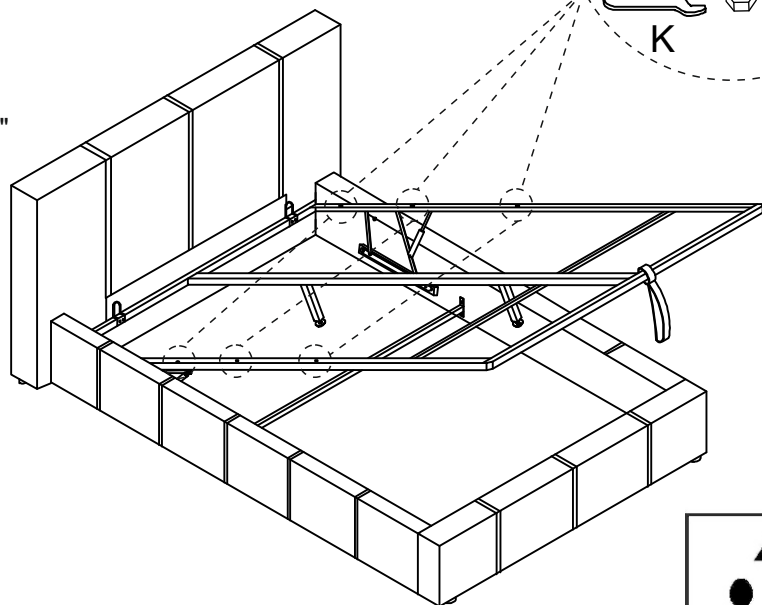
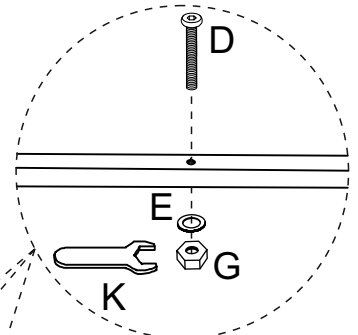
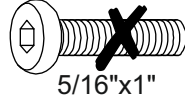
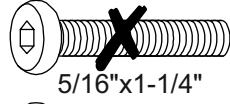
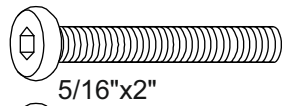
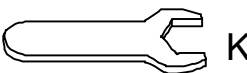
HARDWARE REQUIRED

D  06
5/16"x2"

E  06

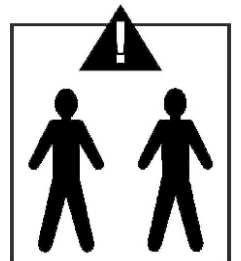
G  06

TOOLS REQUIRED



CAUTION !!

TWO PEOPLE NEEDED TO ATTACH FRAME TO BED.



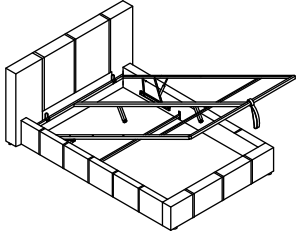
STEP 15

PARTS REQUIRED

19 - SPRUNG SLATS x26

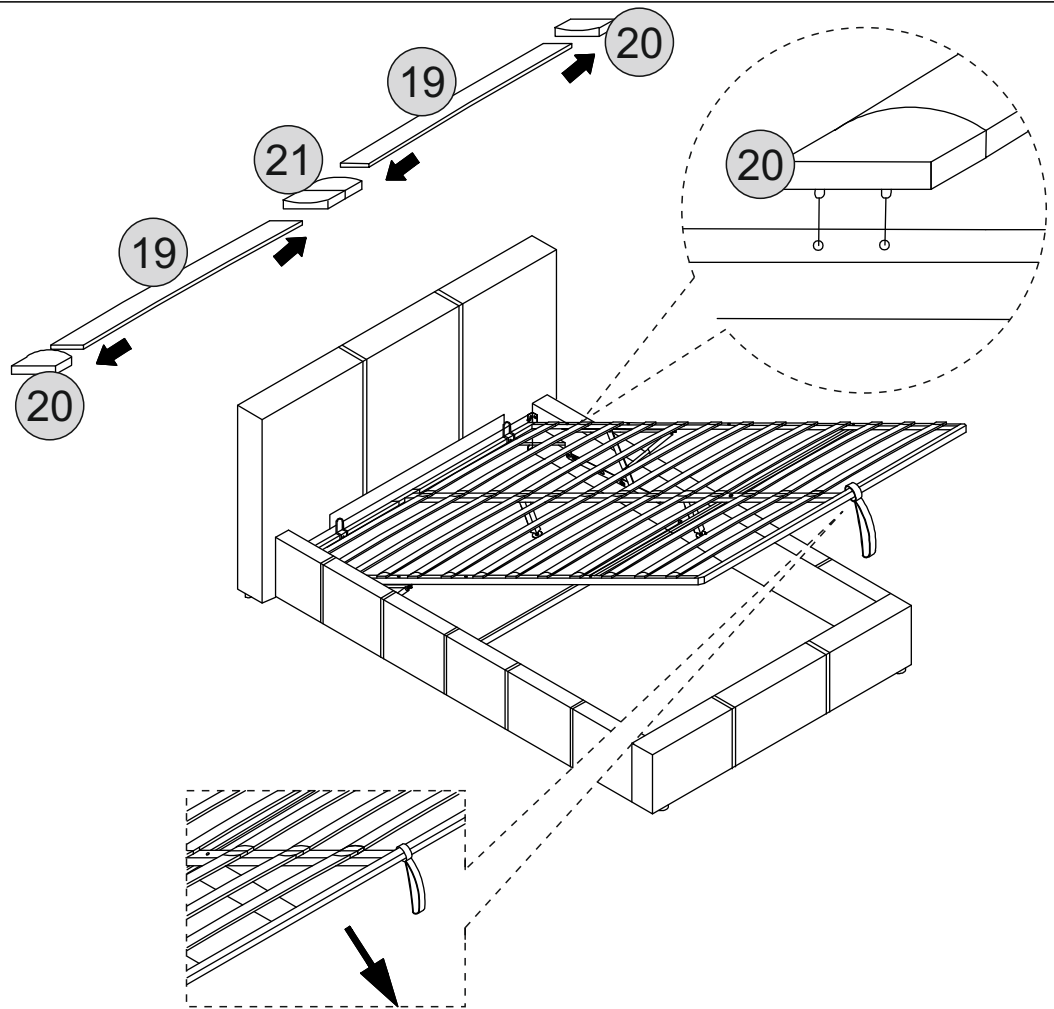
20 - END SLAT CAPS x26

21 - CENTRE SLAT CAPS x13



HARDWARE REQUIRED

TOOLS REQUIRED



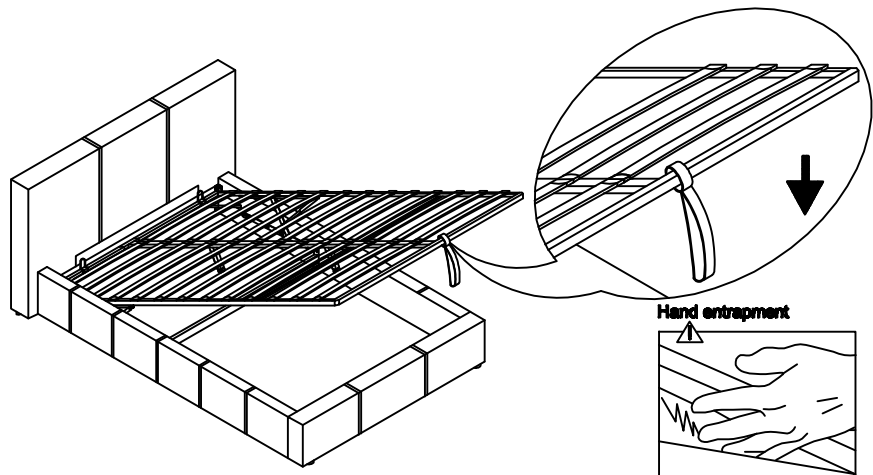
STEP 16

PARTS REQUIRED

HARDWARE REQUIRED

TOOLS REQUIRED

Your bed frame is now completely assembled but the ottoman will not operate correctly unless a mattress is placed on the slat frame and will not stay shut unless the mattress remains in position. To position the mattress on the slat frame, simply place the mattress on top of the slat frame whilst it is in the up (open) position.



Lift with the strap (23) and close with the strap. The strap should always be accessible. Take care not to lean over the bed when lifting, if the mattress is thin and light, the frame may rise quickly. The speed of closing will also depend on the weight of the mattress so always keep fingers well clear of the metal frame.

PLEASE NOTE - It takes a lot of force to make the initial movement of the ottoman - **THIS IS A DESIGN FEATURE OF THE PRODUCT SO THAT IT DOES NOT FALL SHUT** - and the nearer to being closed the ottoman is, the easier it is to move. When the ottoman is almost shut, it will close completely under its own weight.



Periodically check to ensure that the components are in their proper position, free from damage. Also, make sure the connectors are tight and secure.

Keep instructions for future reference

