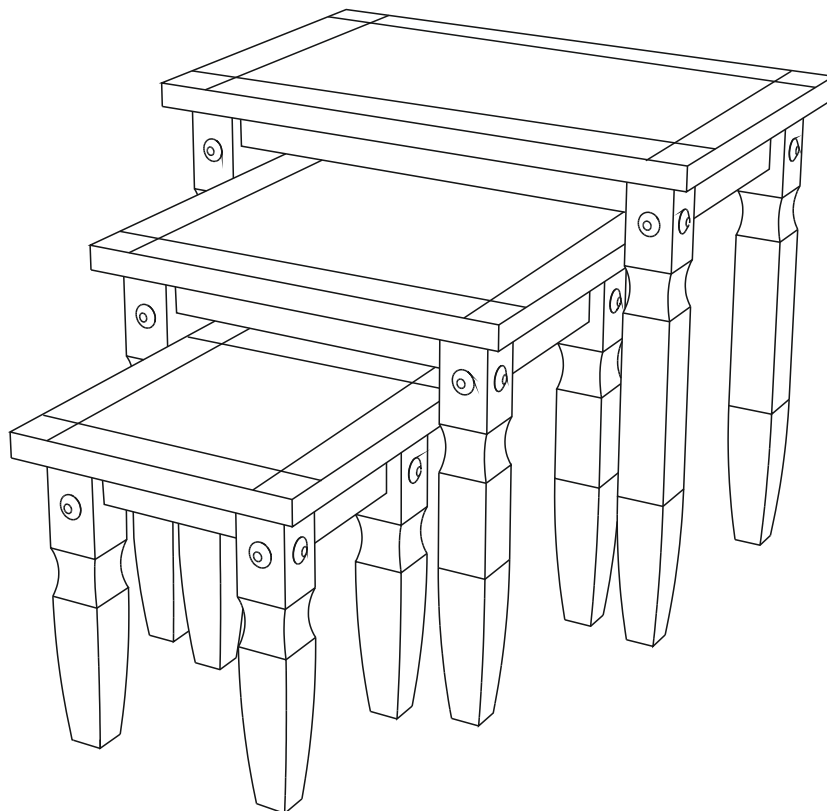


CORONA NEST OF TABLES

ASSEMBLY INSTRUCTIONS

51115(MY)



IMPORTANT

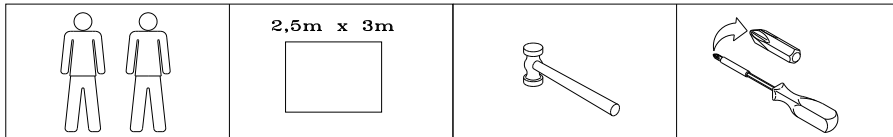
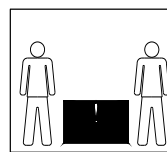
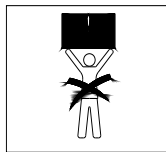
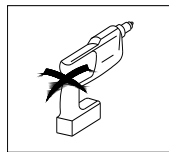
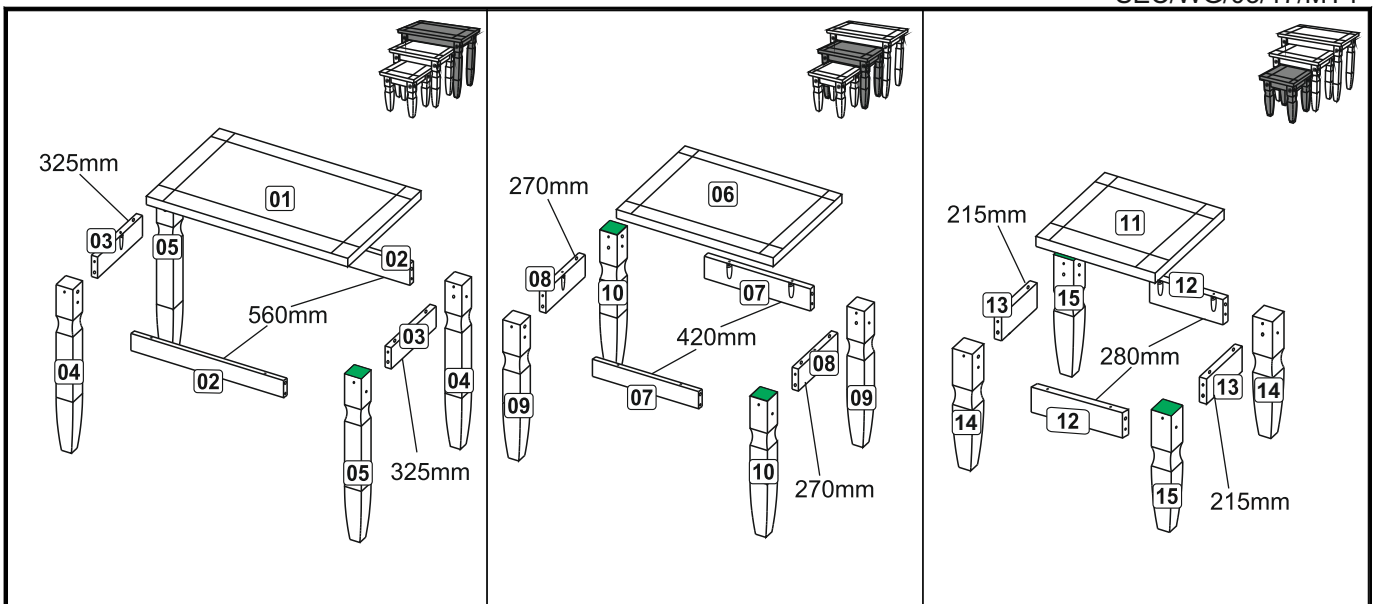
PLEASE READ BEFORE YOU CONTINUE FURTHER

FOR DOMESTIC USE ONLY

CARE AND MAINTENANCE

After unpacking this product please keep the original packaging in case it needs to be returned for any reason.

- Please ensure all fittings and parts are present before commencing with assembly.
- We recommend that you lay a blanket or sheet on the floor to avoid damage to both your floor and the product.
- We strongly recommend that you keep children away from your work area.
- Assemble this product as close to its final position as possible.
- Never drag or push products as this could cause damage to the joints making it inferior.
- Do not place this product next to a radiator or in direct sunlight.
- Wood is a natural product and may expand if subjected to damp and may shrink or crack if subjected to heat. Therefore it is recommended that room temperature is maintained, with no sudden temperature fluctuations.
- Make sure any spillage is wiped off immediately.
- Do not place hot or chilled items directly on to the surface, use a place mat or marking will occur.
- For general cleaning use a duster, and do not use detergents of any kind. However, the surface will need to be retreated from time to time. This can be done by using block wax (unperfumed) and rubbing it over the whole item.
- From time to time it may be necessary to tighten fittings, regular inspections should be carried out.



* Use of power tools to assemble this product will invalidate any claim and damage this product making it unsafe !!!
 * Please assemble on a clean soft surface to avoid damage.



* Please check contents and read the instructions before commencing assembly.
 * Assemble this product following the enclosed instructions carefully.
 * Please take care to avoid damaging panels during assembly.

Parts List

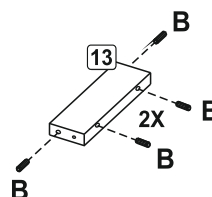
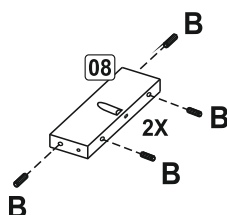
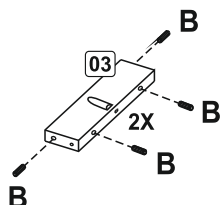
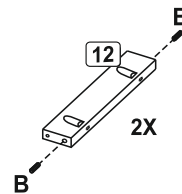
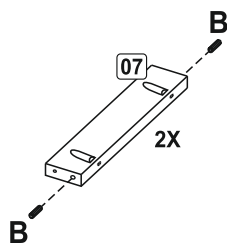
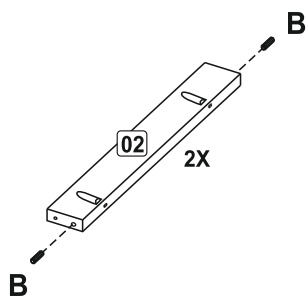
1	Top panel(Large)	01
2	Front/Rear panel (Large)	02
3	Side panel(Large)	02
4	Leg Natural(Large)	02
5	Leg Green(Large)	02
6	Top panel(Medium)	01
7	Front/Rear panel(Medium)	02
8	Side panel(Medium)	02
9	Leg Natural(Medium)	02

10	Leg Green(Medium)	02
11	Top panel (Small)	01
12	Front/Rear panel(Small)	02
13	Side panel(Small)	02
14	Leg Natural(Small)	02
15	Leg Green(Small)	02

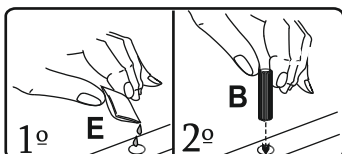
Fittings


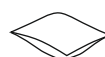
A	3,5 x 35	16	D	5 x 90	24
B	8 x 30	36	E	GLUE	02
C		24			

01



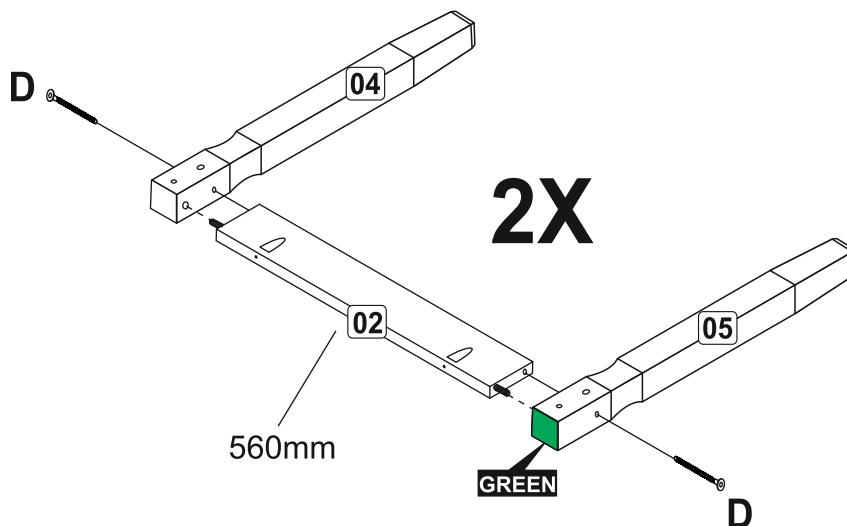
Glue must be added to the
dowel holes on part
02, 03, 07, 08, 12, 13


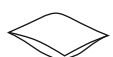


B	 8 x 30	36
E	 GLUE	

02

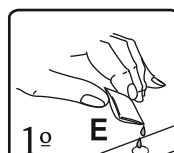
Large Table



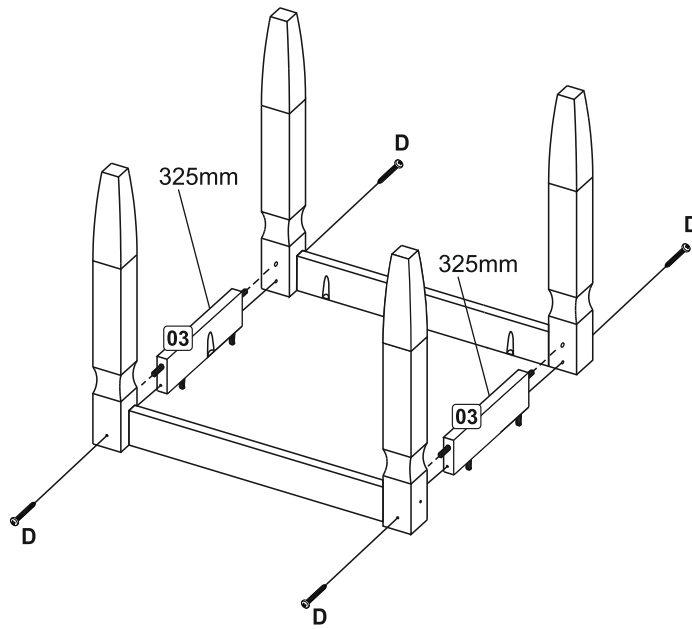
D	 5 x 90	04
E	 GLUE	



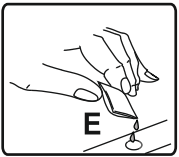
Glue must be added to the
dowel holes on part
04 and 05



03 Large Table



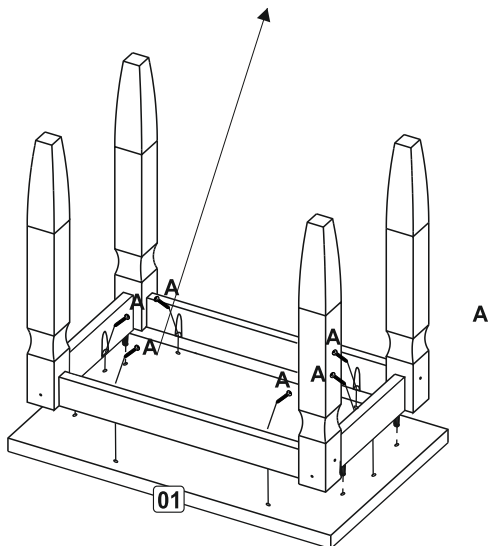
!
Glue must be added to the dowel holes on part 04 and 05



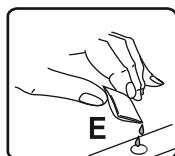
D		04
E		GLUE

04

* For your future reference
Order Number should be here

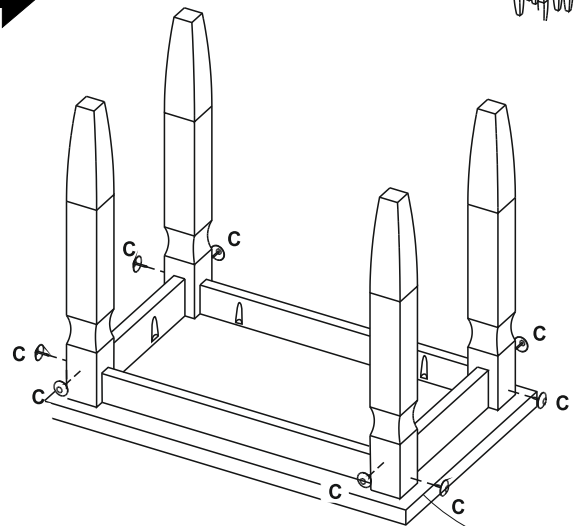


!
Glue must be added to the dowel holes on part 01

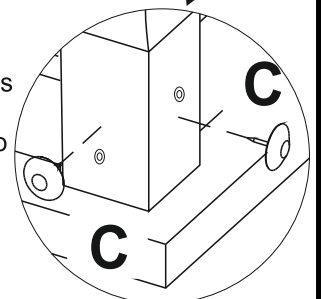


A		06
----------	--	-----------

05

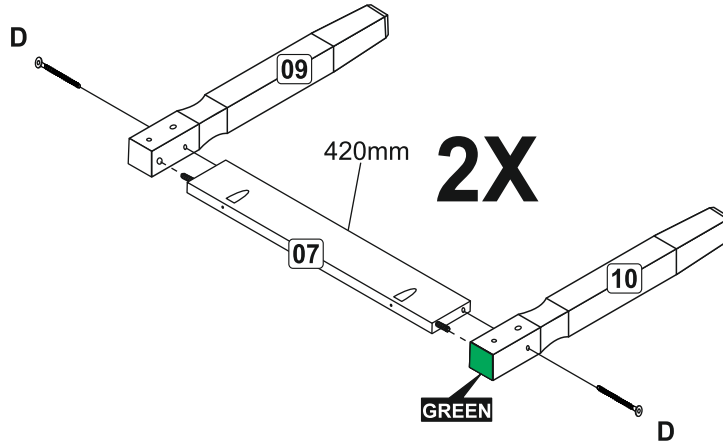




IMPORTANT: Please insert the studs as per the illustration above, 1 stud above the screw and 1 stud below so that both studs line up.



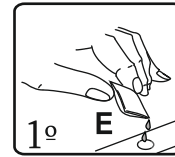
C		08
----------	--	-----------

06 Medium Table

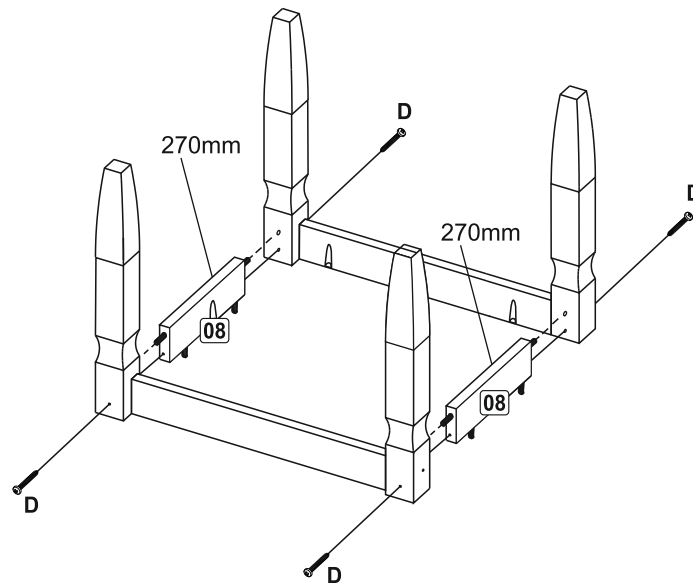


D	 5 x 90	04
E	 GLUE	

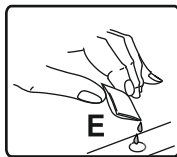
!
Glue must be added to the dowel holes on parts 07, 09 and 10





07 Medium Table

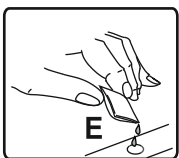


!
Glue must be added to the dowel holes on part 08, 09 and 10

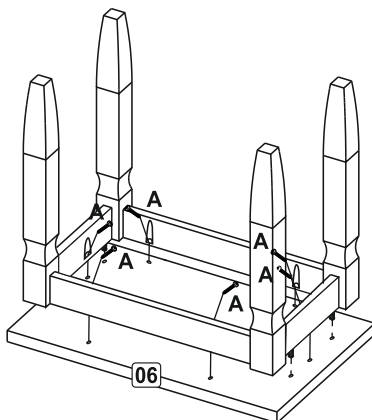



D	 5 x 90	04
E	 GLUE	

08 Medium Table

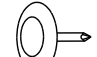


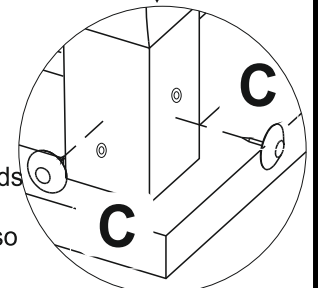
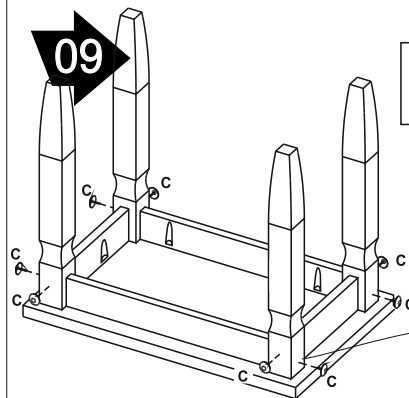
!
Glue must be added to the dowel holes on part 06.



A	 3,5 x 35	06
---	--	----

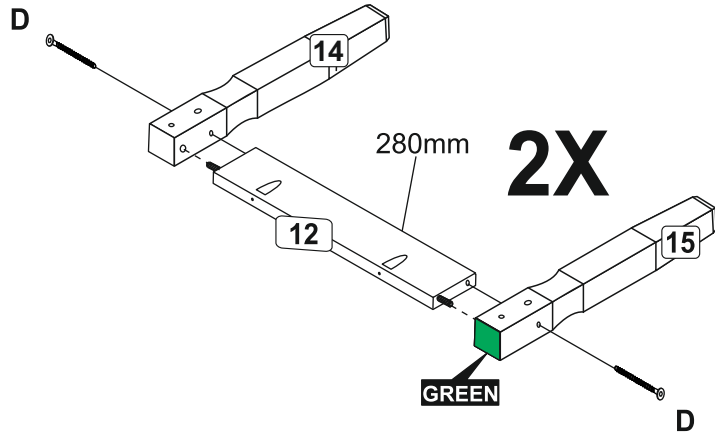
09 Medium Table


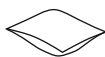
C		08
---	---	----



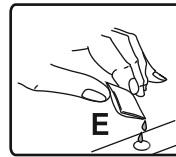
IMPORTANT: Please insert the studs as per the illustration above, 1 stud above the screw and 1 stud below so that both studs line up.

10 Small Table

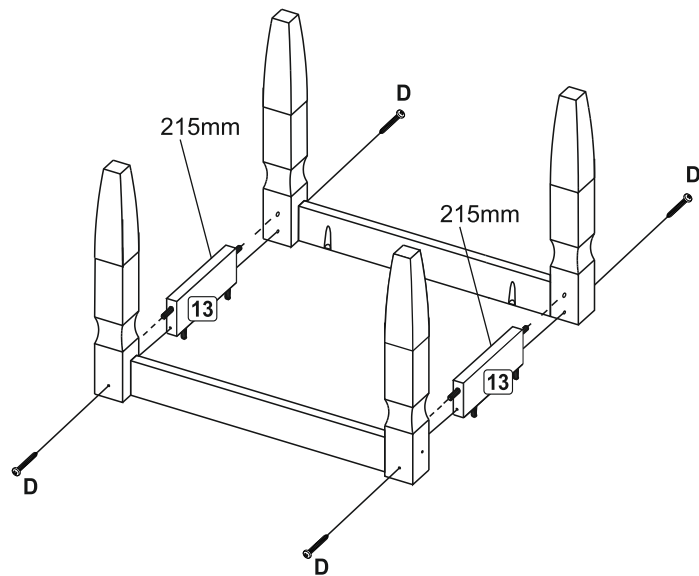


D	 5 x 90	04
E	 GLUE	

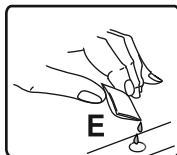
!
Glue must be added to the dowel holes on part 12, 14 and 15

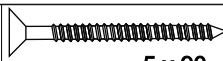
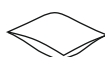


11 Small Table

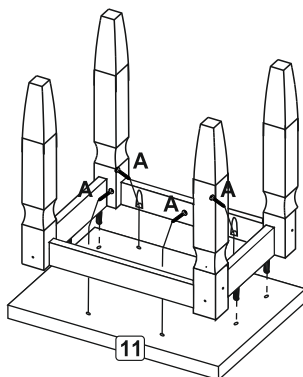
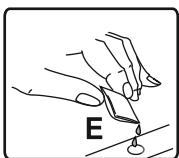


!
Glue must be added to the dowel holes on part 13, 14 and 15.

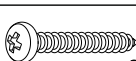


D	 5 x 90	04
E	 GLUE	

12

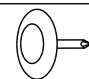


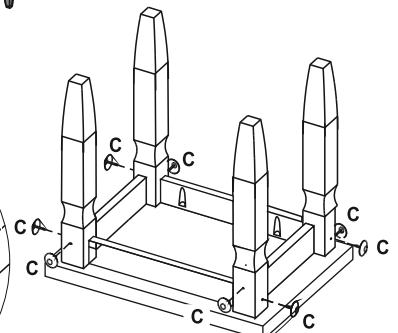
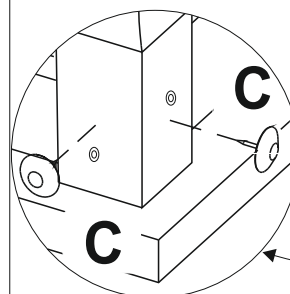
!
Glue must be added to the dowel holes on part 11.

A	 3,5 x 35	04
---	--	----

13



C		08
---	---	----



IMPORTANT: Please insert the studs as per the illustration above, 1 stud above the screw and 1 stud below so that both studs line up.