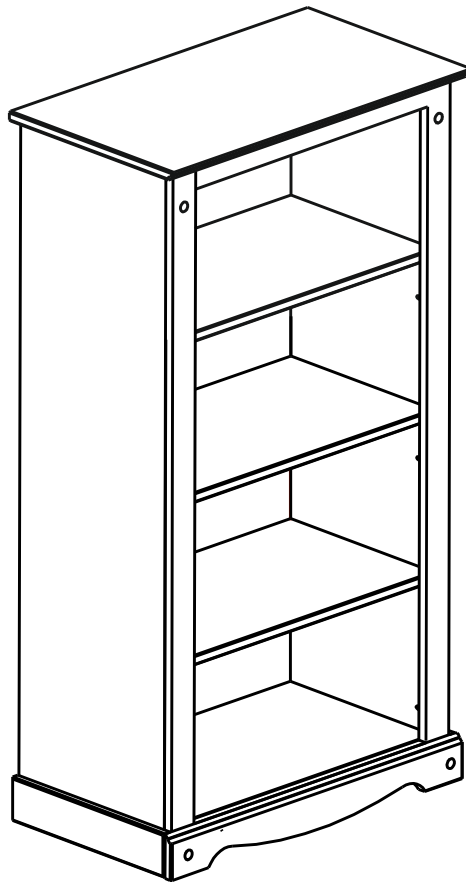


Corona Medium Bookcase

ASSEMBLY INSTRUCTIONS



FOR DOMESTIC USE ONLY

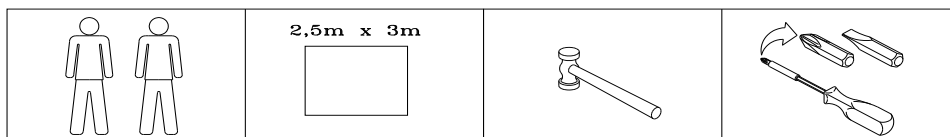
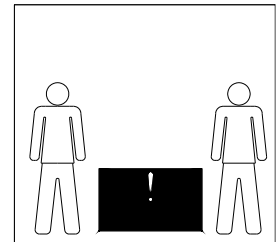
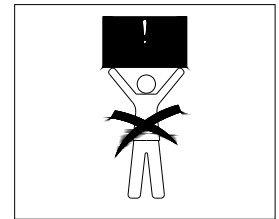
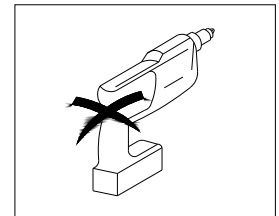
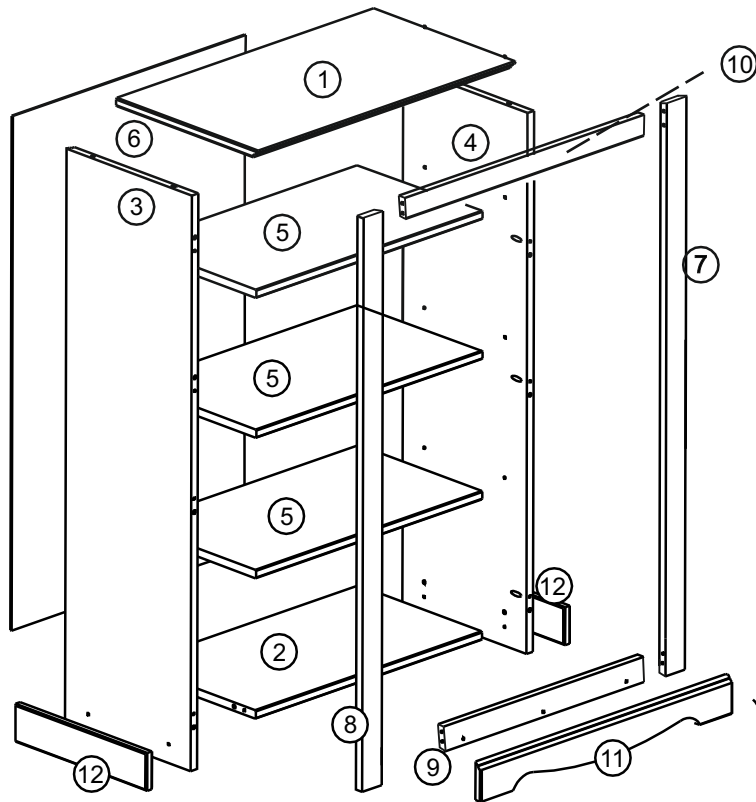
IMPORTANT

PLEASE READ BEFORE YOU CONTINUE FURTHER

CARE AND MAINTENANCE

After unpacking this product please keep the original packaging in case it needs to be returned for any reason.

- Please ensure all fittings and parts are present before commencing with assembly.
- We recommend that you lay a blanket or sheet on the floor to avoid damage to both your floor and the product.
- We strongly recommend that you keep children away from your work area.
- Assemble this product as close to its final position as possible.
- Never drag or push products as this could cause damage to the joints making it inferior.
- Do not place this product next to a radiator or in direct sunlight.
- Wood is a natural product and may expand if subjected to damp and may shrink or crack if subjected to heat. Therefore it is recommended that room temperature is maintained, with no sudden temperature fluctuations.
- Make sure any spillage is wiped off immediately.
- Do not place hot or chilled items directly on to the surface, use a place mat or marking will occur.
- For general cleaning use a duster, and do not use detergents of any kind. However, the surface will need to be retreated from time to time. This can be done by using block wax (unperfumed) and rubbing it over the whole item.
- From time to time it may be necessary to tighten fittings, regular inspections should be carried out.



* Use of power tools to assemble this product will invalidate any claim and damage this product making it unsafe !!!
 * Please assemble on a clean soft surface to avoid damage.


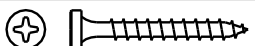

* Please check contents and read the instructions before commencing assembly.
 * Assemble this product following the enclosed instructions carefully.
 * Please take care to avoid damaging panels during assembly.


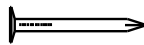
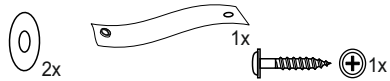
PARTS LIST

1	Top panel	01
2	Bottom	01
3	Left side panel	01
4	Right side panel	01
5	Shelf	03
6	Back Panel	01

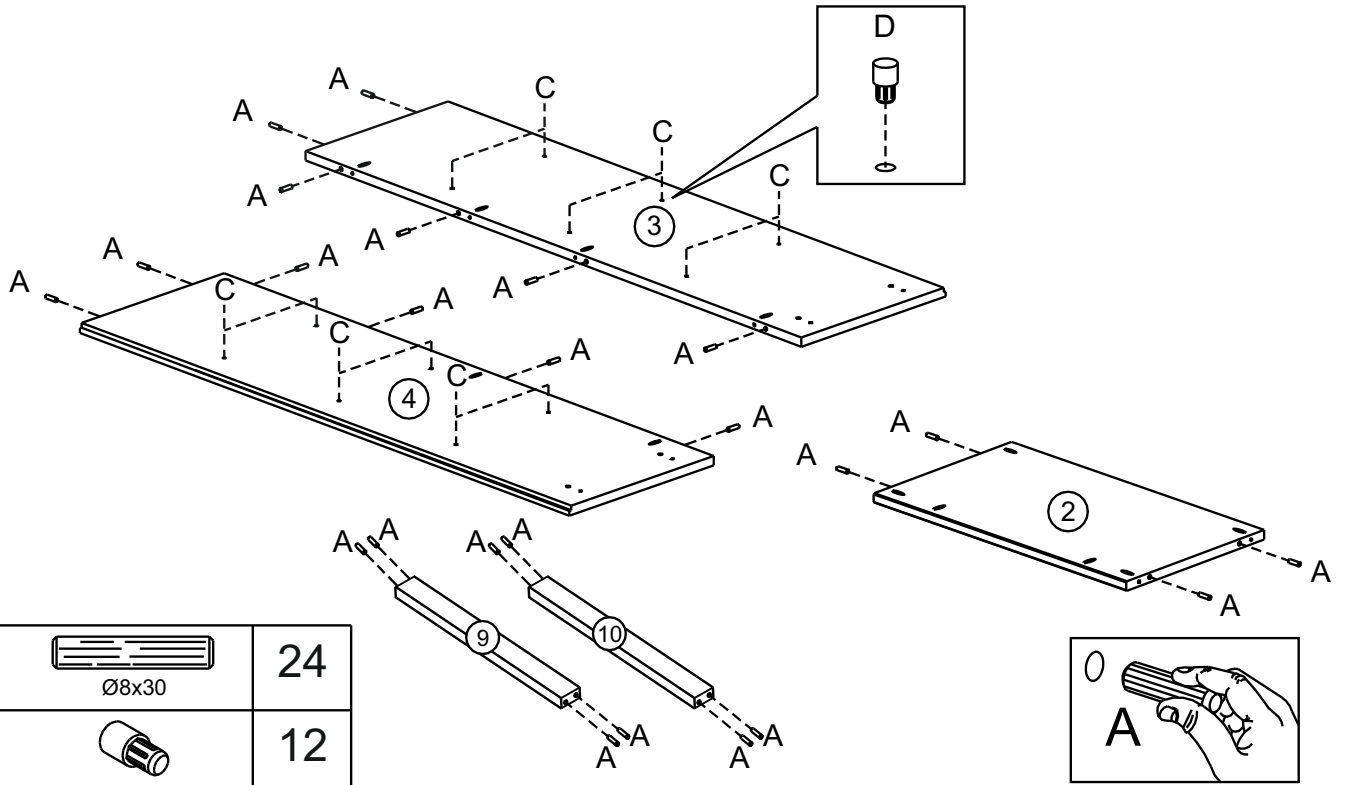
7	Right Front Upright	01
8	Left Front Upright	01
9	Bottom Crossbeam	01
10	Top Crossbeam	01
11	Front Plinth	01
12	Side Plinth	02

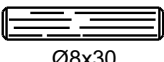

FITTINGS

A	 Ø8x30	24
B	 3,5x30	29
C		12

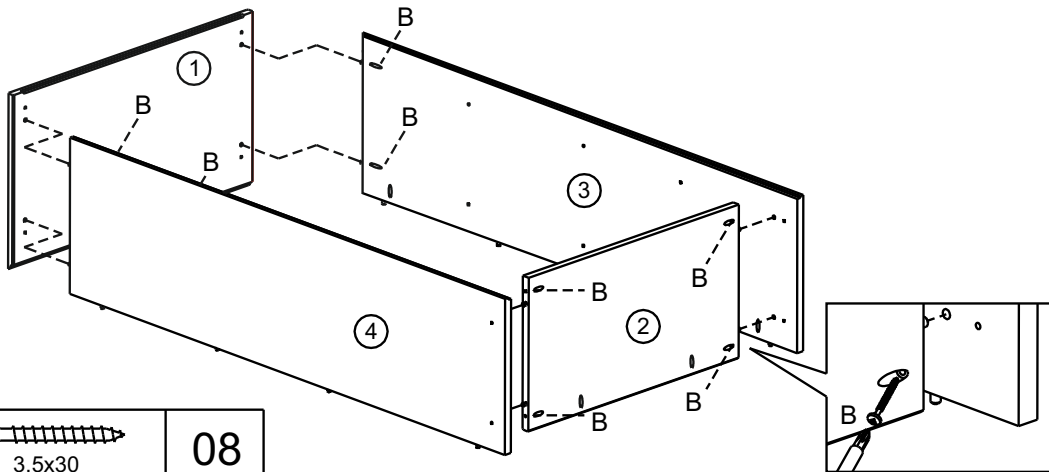
D	 Black	04
E	 10x10	20
F	 2x 1x 1x	01

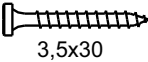
01



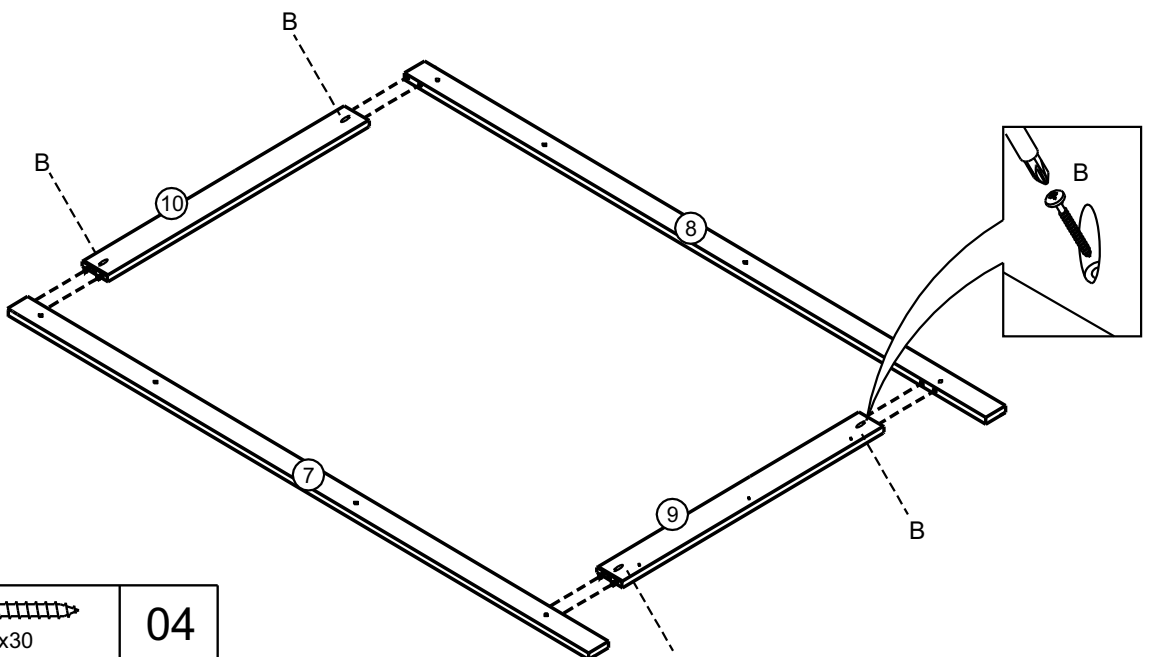
A	 Ø8x30	24
C		12

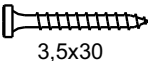
02



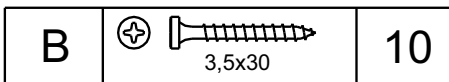
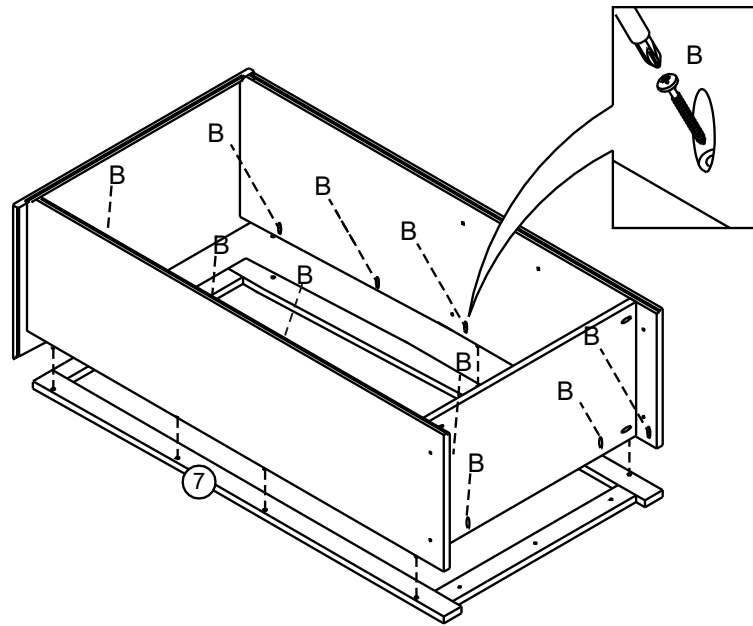
B	 3,5x30	08
---	---	----

03

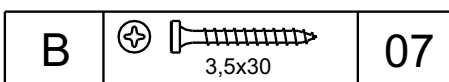
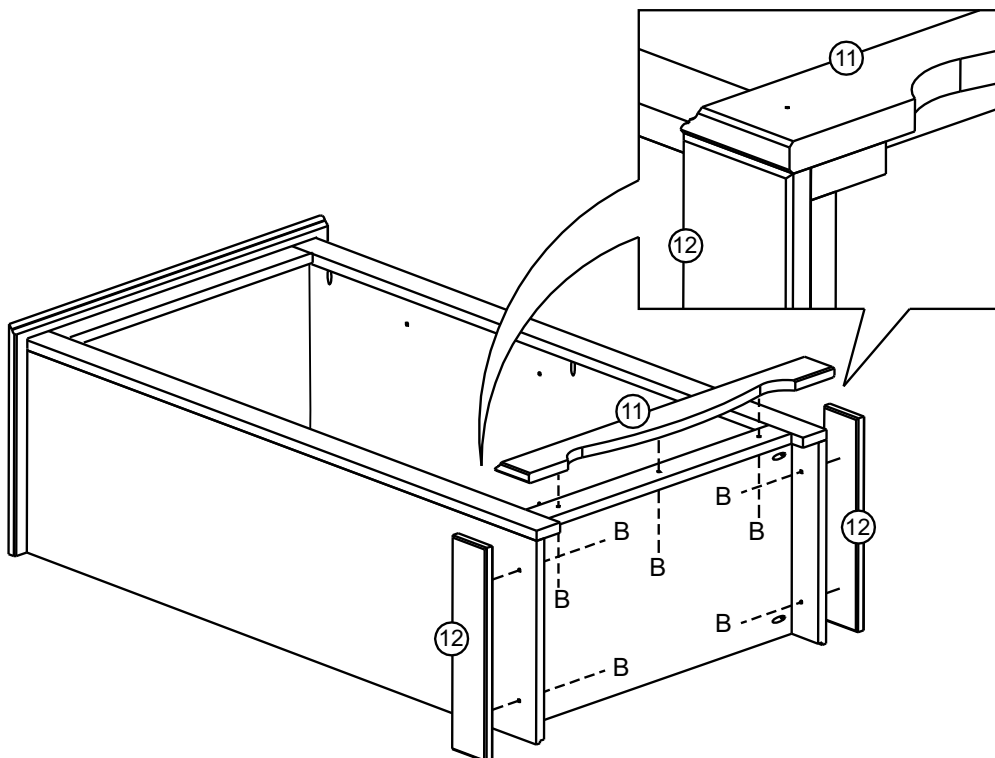


B	 3,5x30	04
---	---	----

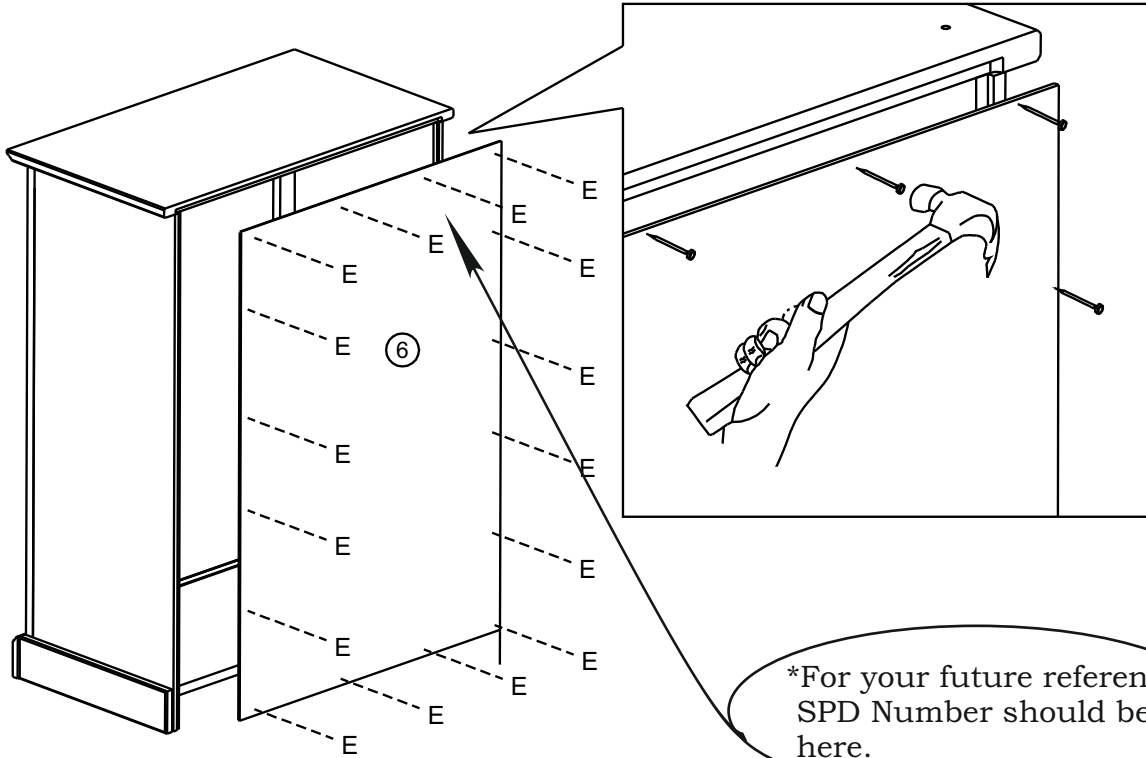
04



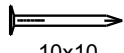
05



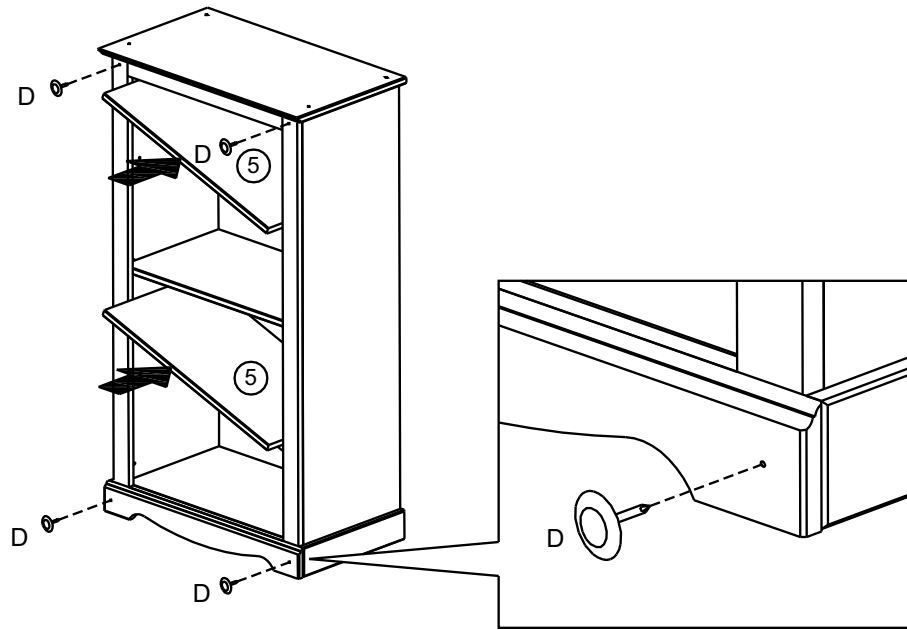
06




*For your future reference SPD Number should be here.

E	 10x10	20
---	---	----

07



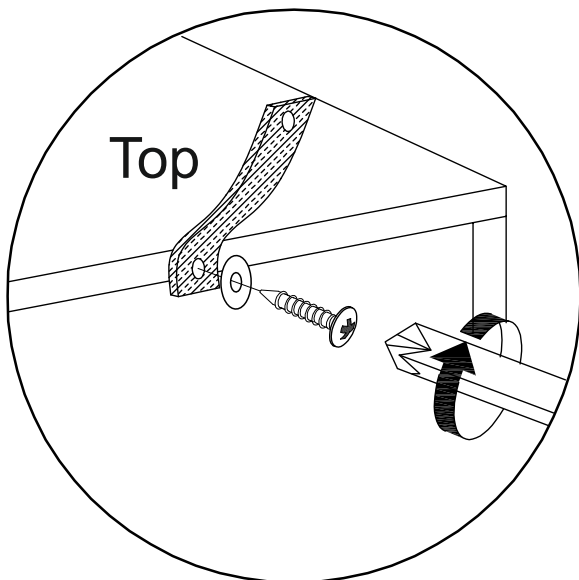
D	 Black	04
---	--	----

WARNING

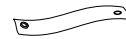
Serious or fatal injuries can occur from furniture tipping over. To prevent the furniture from tipping over we recommend that it is permanently fixed to the wall.

Wall fixings are not supplied with this product as different wall materials require different types of fixing devices.

Please make sure you use fixings suitable for the walls in your home.



HARDWARE LIST



Strap (Anti-Tip Kit)
(1x)



Wood Screw (Anti-Tip Kit)
3,5 x 25mm (1x)



Washer (Anti-Tip Kit)
(2x)

