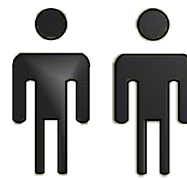


MODEL NAME :
BELLINGHAM 2 DOOR WARDROBE

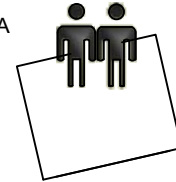
1.0hr

APPROXIMATE ASSEMBLY TIME



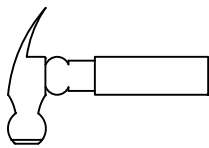
2 PEOPLE FOR ASSEMBLY

FLOOR AREA
 2.1M X 1.2M

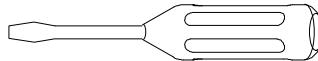


REQUIRED ASSEMBLY SPACE

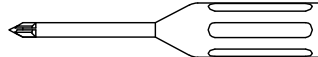
REQUIRED ASSEMBLY TOOLS



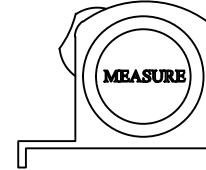
HAMMER



FLAT HEAD SCREWDRIVER

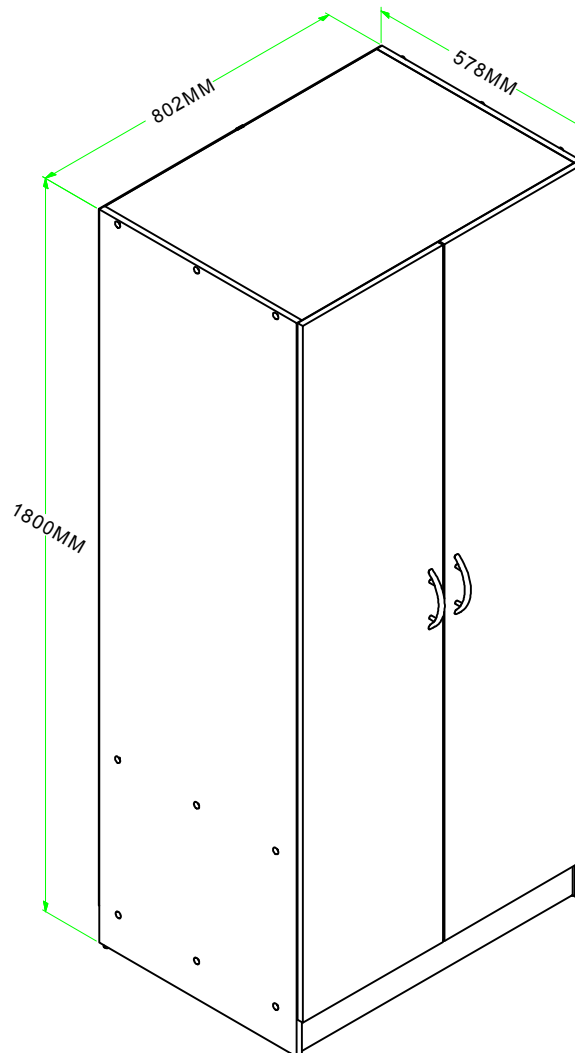


POZI SCREWDRIVER



MEASURING TAPE

ASSEMBLED DIMENSIONS



FOR DOMESTIC USE ONLY

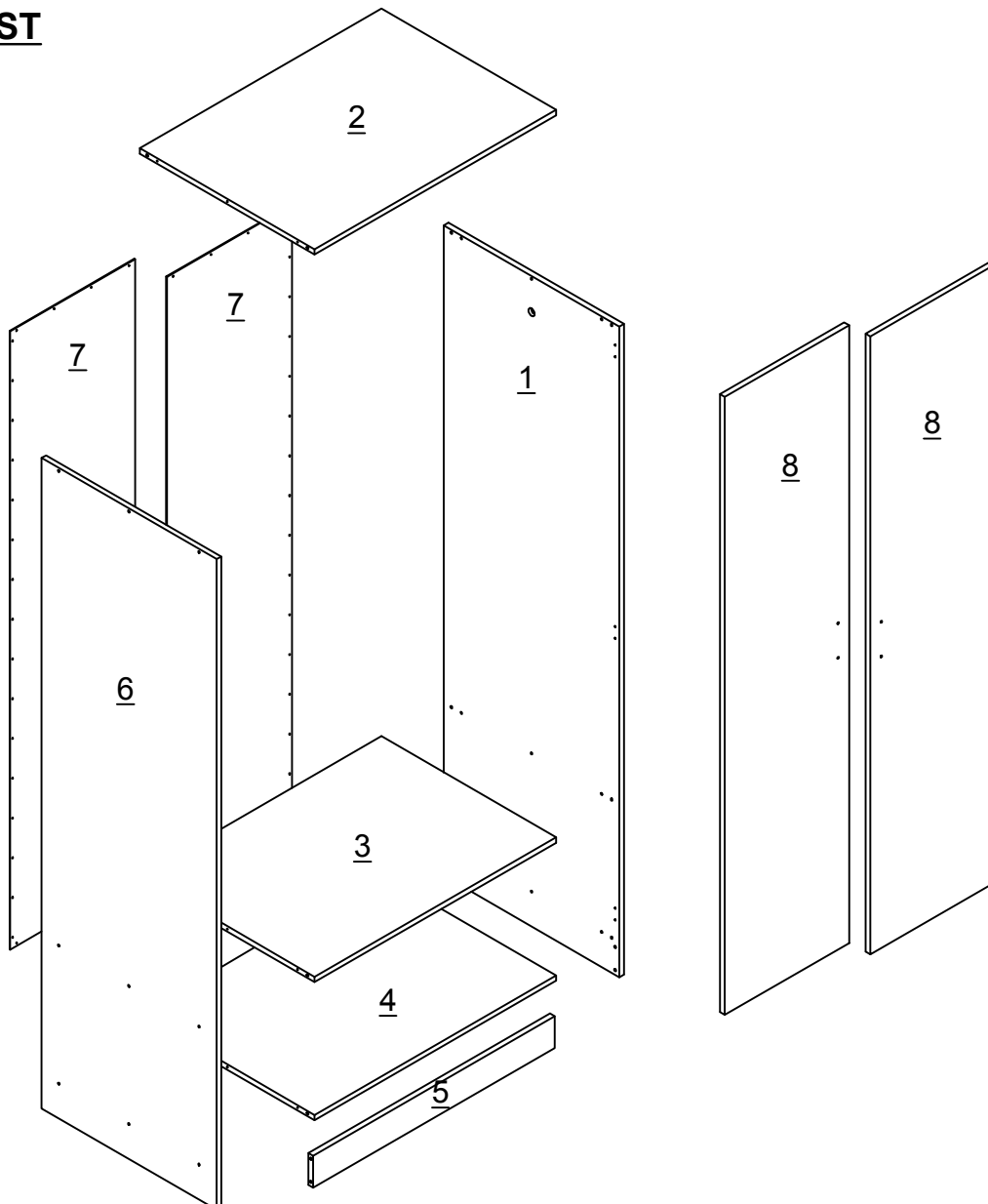
NOTE : THE MAXIMUM WEIGHT THIS PRODUCT CAN HOLD UP TO 25 KGS.

MODEL NAME:


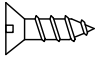
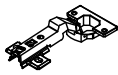


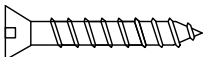


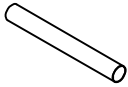
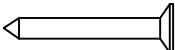




BELLINGHAM 2 DOOR WARDROBE

NO	PART LIST	QTY	NO	PART LIST	QTY
(1)	RIGHT SIDE PANEL	1	(5)	CROSSBAR	1
(2)	TOP PANEL	1	(6)	LEFT SIDE PANEL	1
(3)	MIDDLE SHELF	1	(7)	BACK PANEL	2
(4)	BOTTOM PANEL	1	(8)	DOOR	2

PARTS LIST



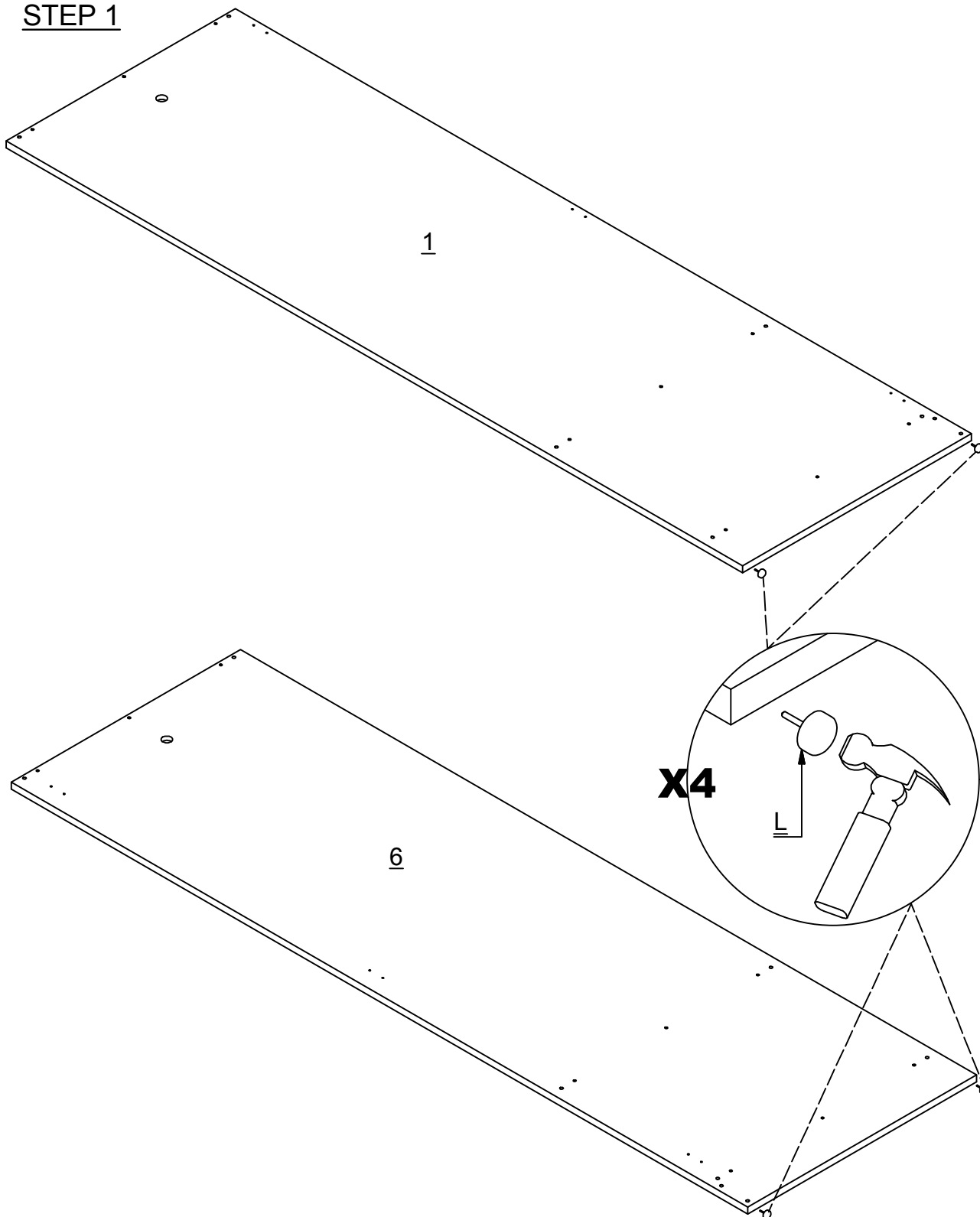
MODEL NAME:**BELLINGHAM 2 DOOR WARDROBE****HARDWARE LIST**

A		DOWEL 6 X 30MM	16 PCS
B		SCREW M3.5 X 16MM	12 PCS
C		HINGES	6 PCS
D		HANDLE	2 PCS
E		HANDLE SCREW 25MM	4 PCS
F		SCREW M4 X 50MM	18 PCS
G		PLASTIC SCREW COVER	18 PCS
H		PLASTIC H STRIP	1 PC
I		HANGING RAIL	1 PC
J		TACK	48 PCS
K		TAPPING SCREW 8 X 12MM	12 PCS
L		PLASTIC FOOT	4 PCS
M		ANTI - TIP STRAP	2 PCS
N		SCREW M4 X 16MM	2 PCS

MODEL NAME:

BELLINGHAM 2 DOOR WARDROBE

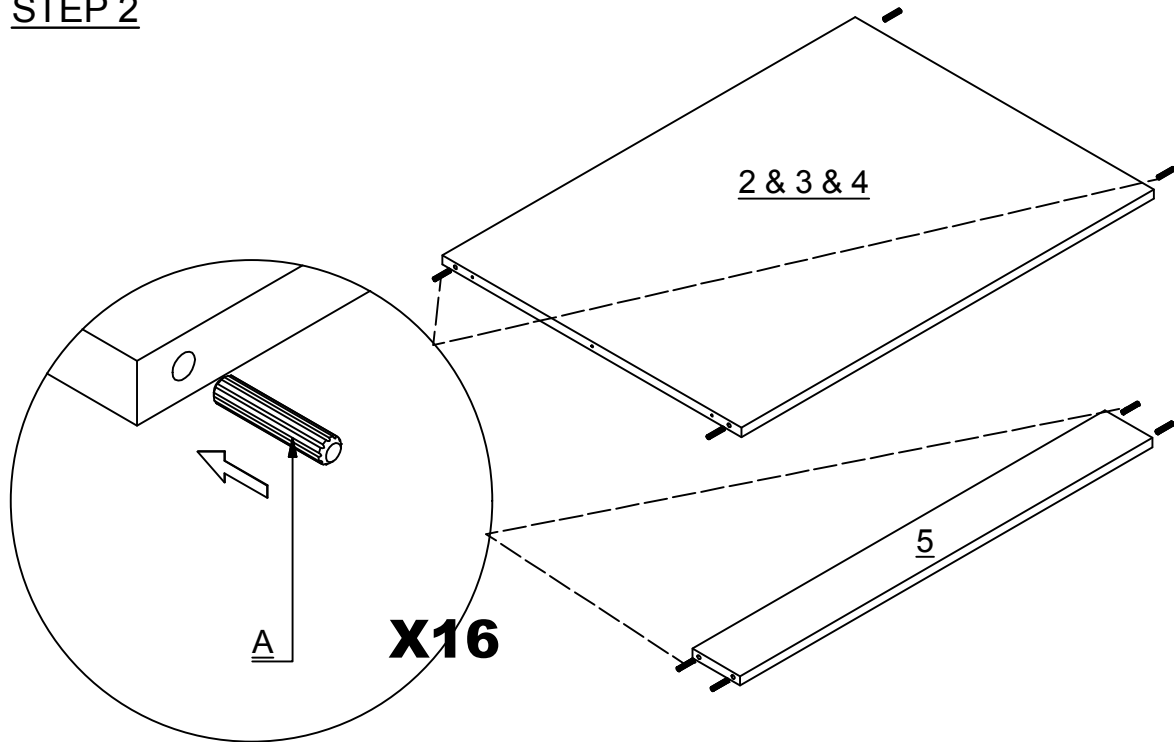
STEP 1



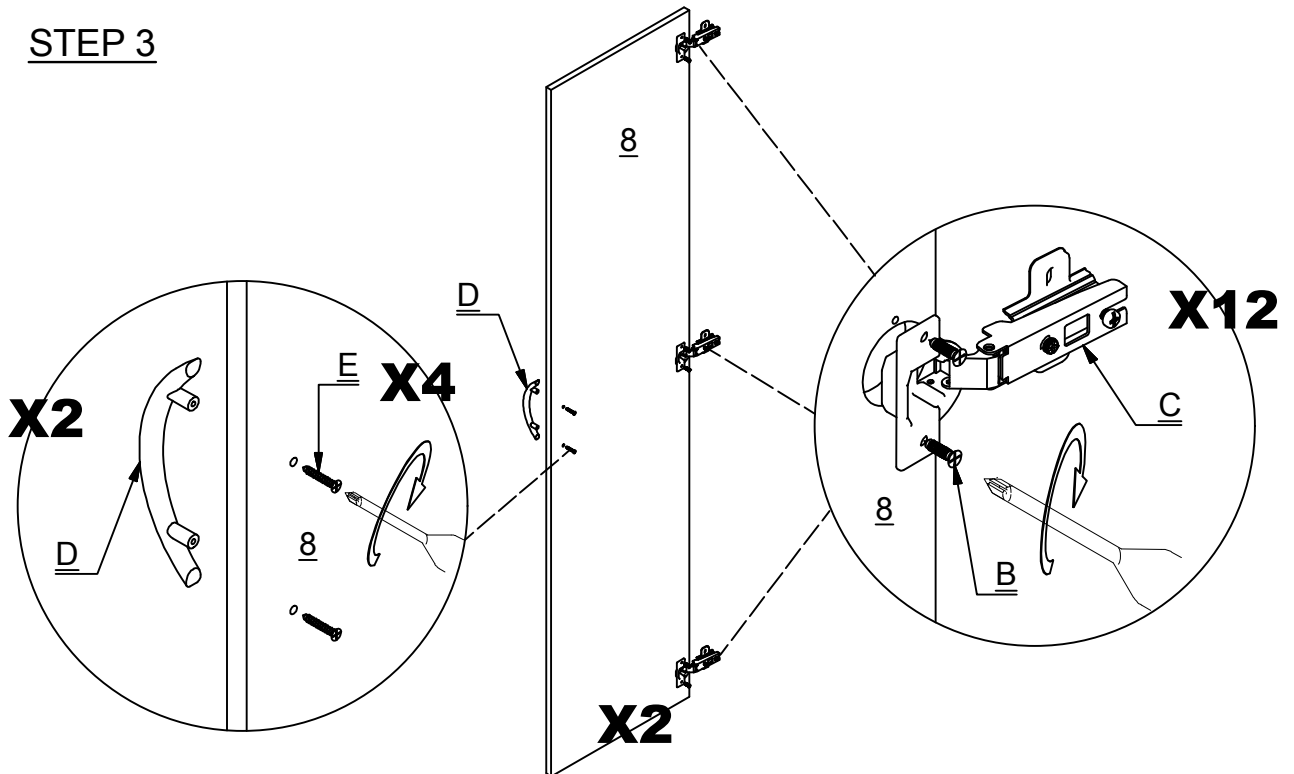
MODEL NAME:

BELLINGHAM 2 DOOR WARDROBE

STEP 2



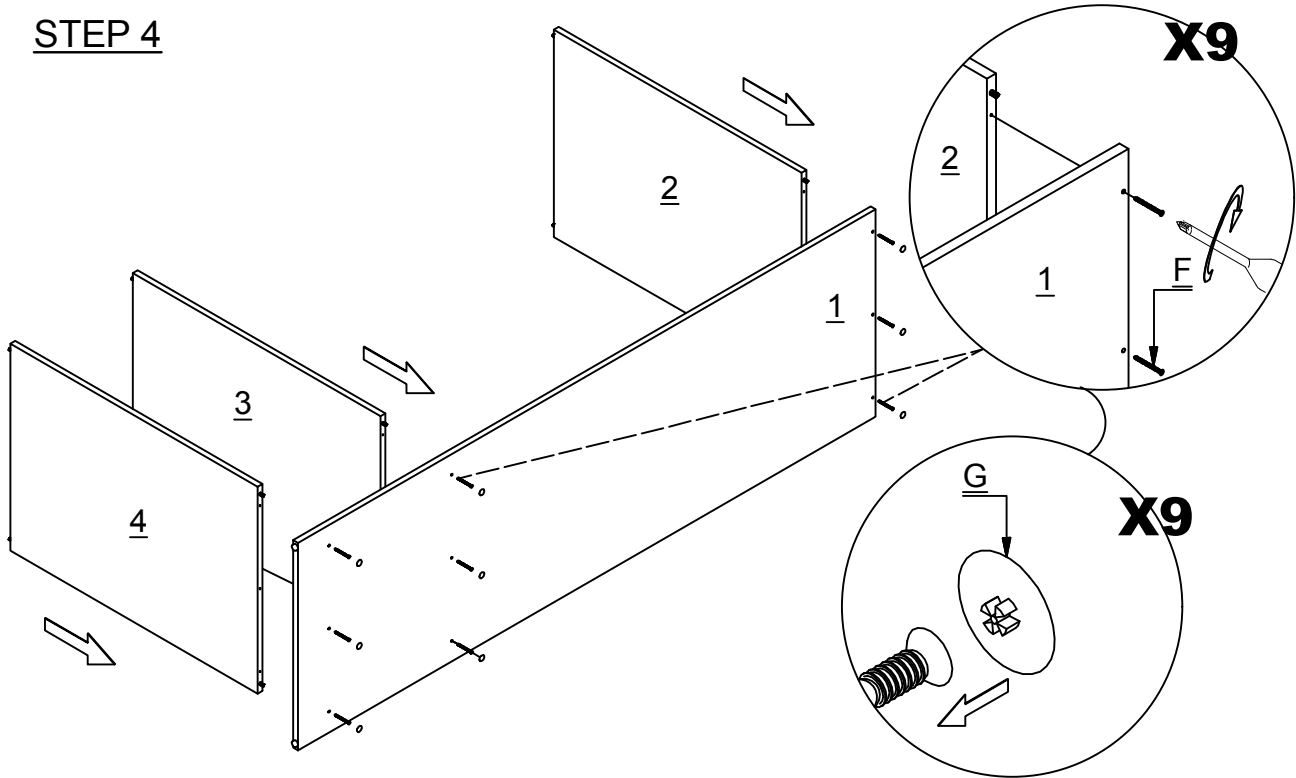
STEP 3



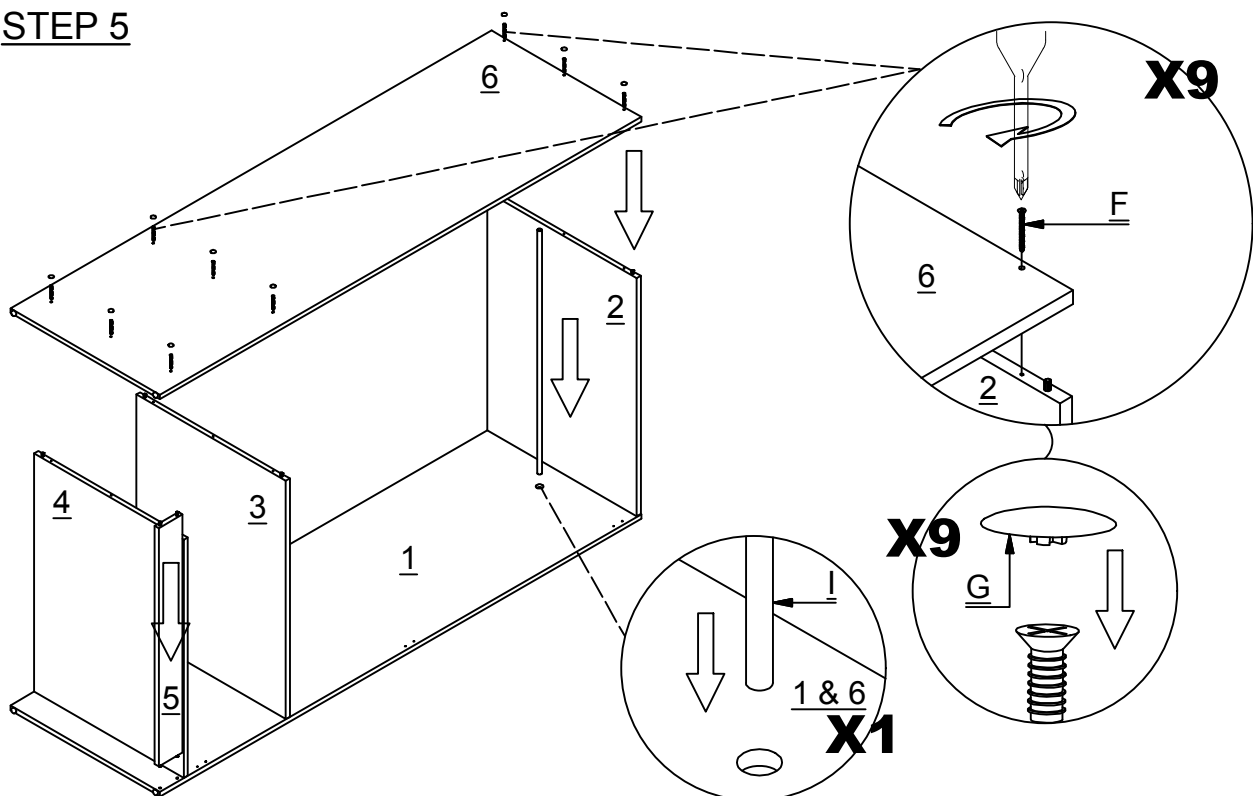
MODEL NAME:

BELLINGHAM 2 DOOR WARDROBE

STEP 4



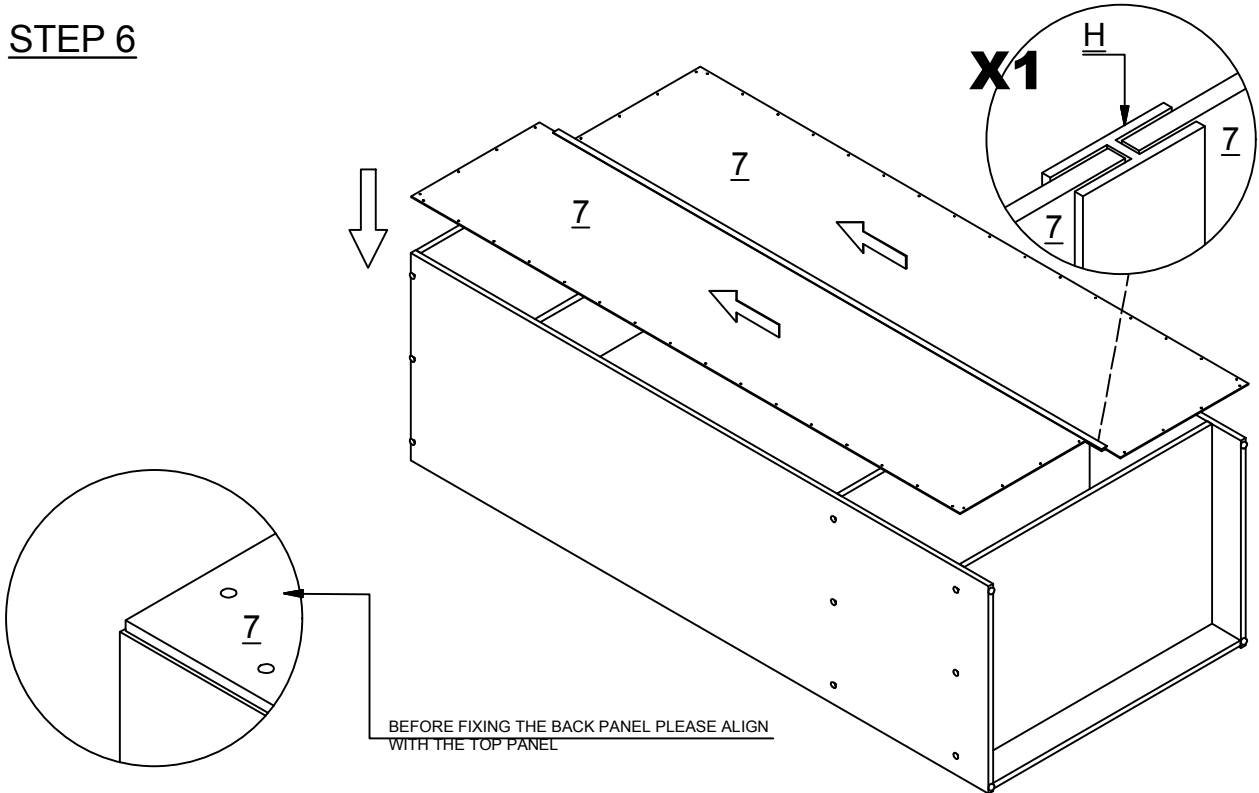
STEP 5



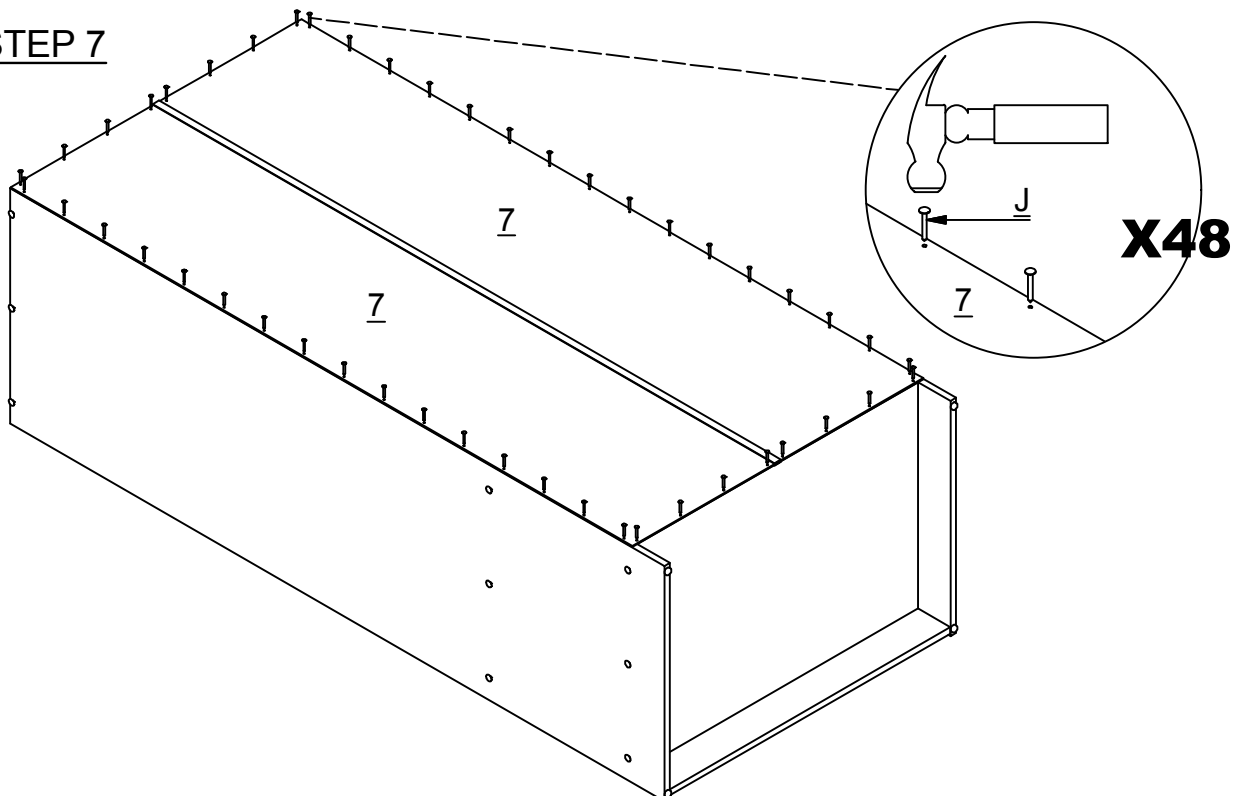
MODEL NAME:

BELLINGHAM 2 DOOR WARDROBE

STEP 6



STEP 7

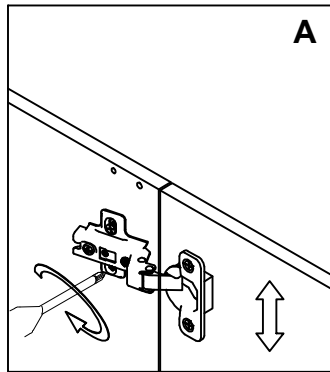


MODEL NAME:

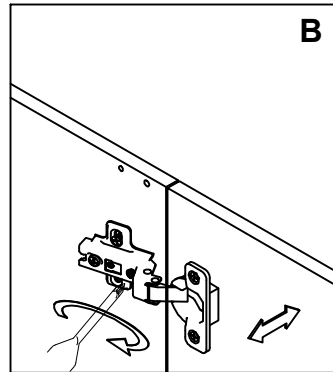
BELLINGHAM 2 DOOR WARDROBE

STEP 8

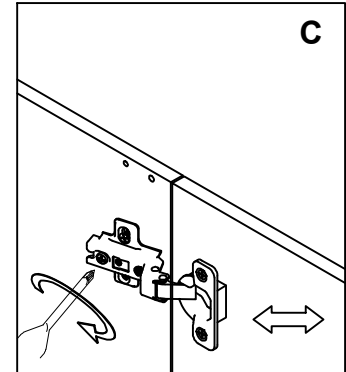
HINGES ADJUSTMENT FACILITIES



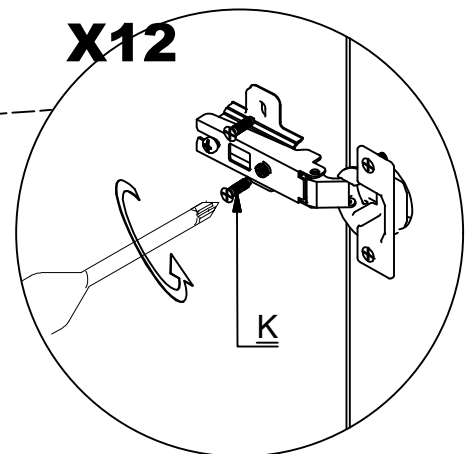
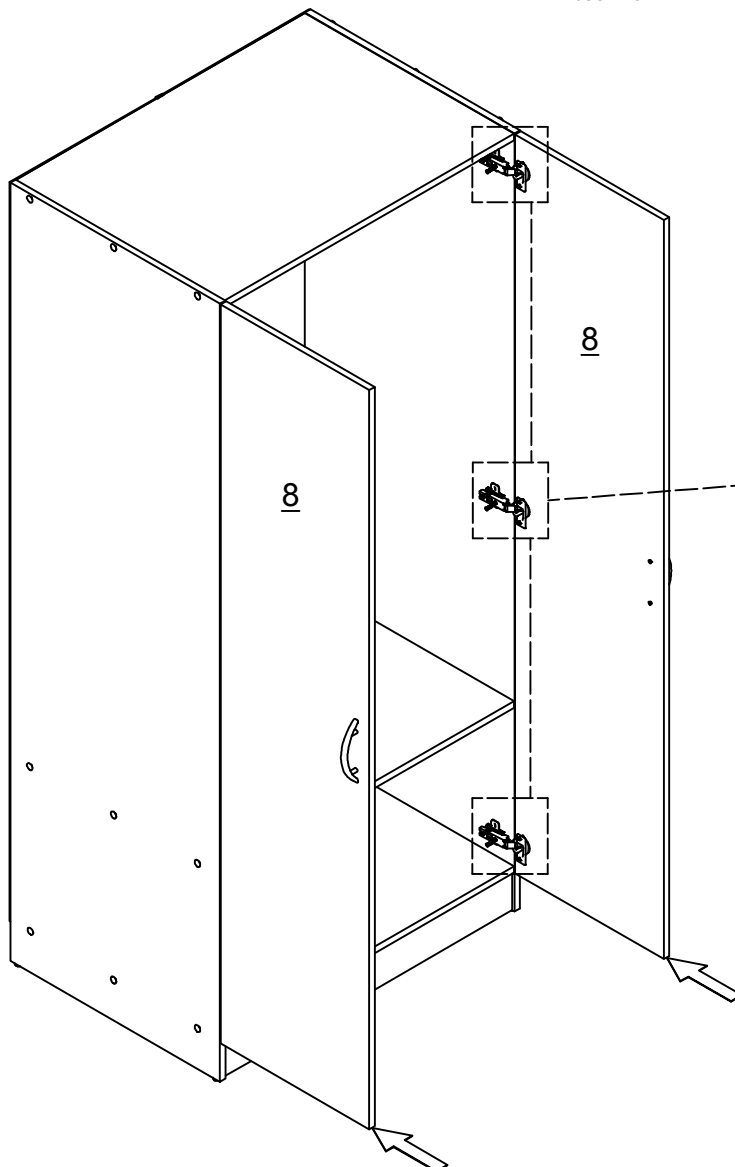
A) VERTICAL ADJUSTMENT VIA SLOT IN THE MOUNTING PLATE



B) LATERAL ADJUSTMENT BY SCREW ADJUSTING



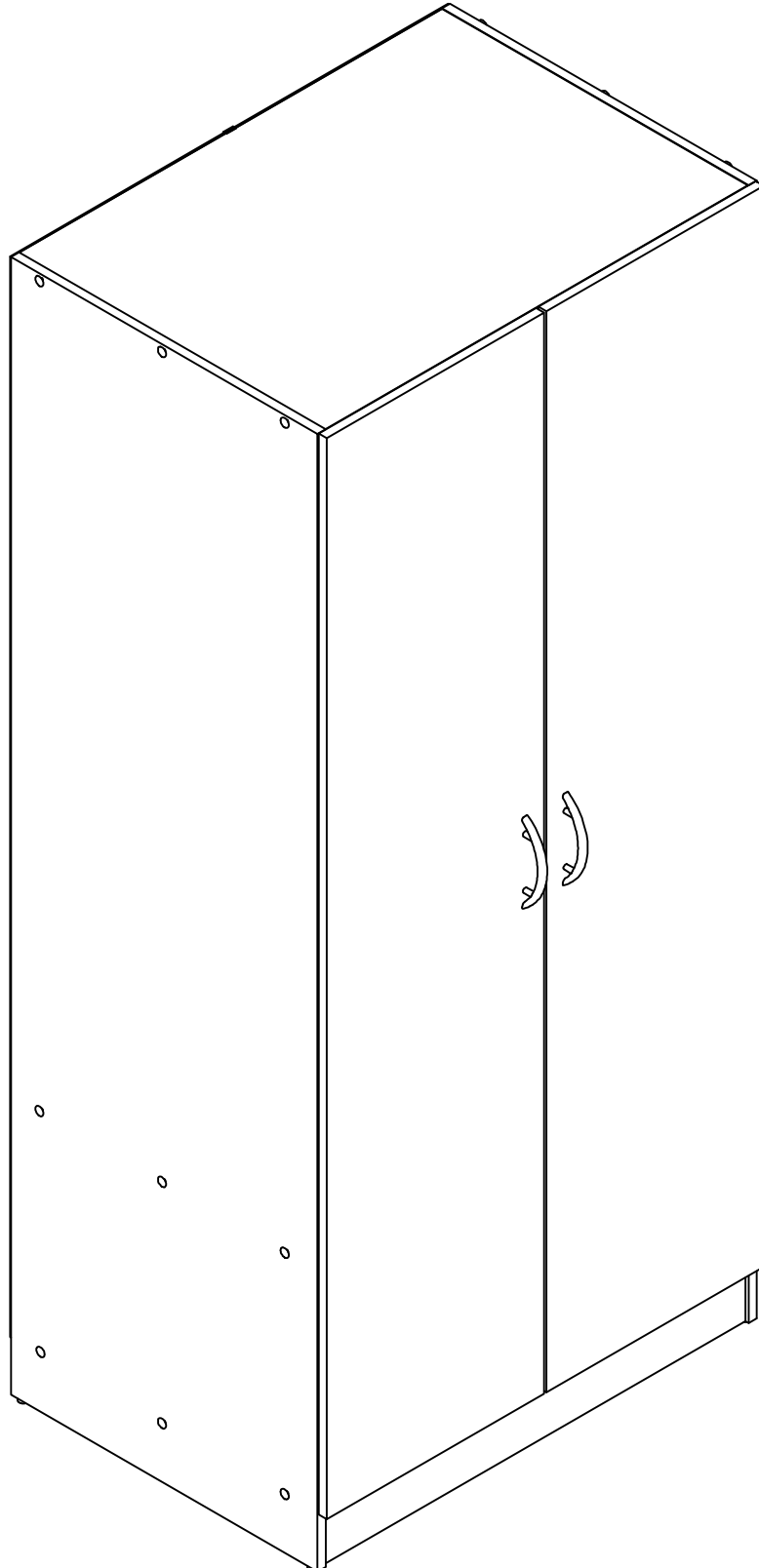
C) FRONT-TO-BACK BY THE SLACKING THE HINGE ARM MOUNTING SCREW



MODEL NAME:

BELLINGHAM 2 DOOR WARDROBE

STEP 9

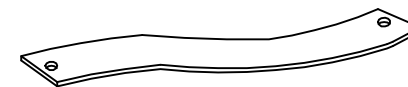


WARNING

Serious or fatal injuries can occur from furniture tipping over. To prevent the furniture from tipping over we recommend that it is permanently fixed to the wall.

Wall fixings are not supplied with this product as different wall materials require different types of fixing devices. Please make sure you use fixings suitable for the walls in your home.

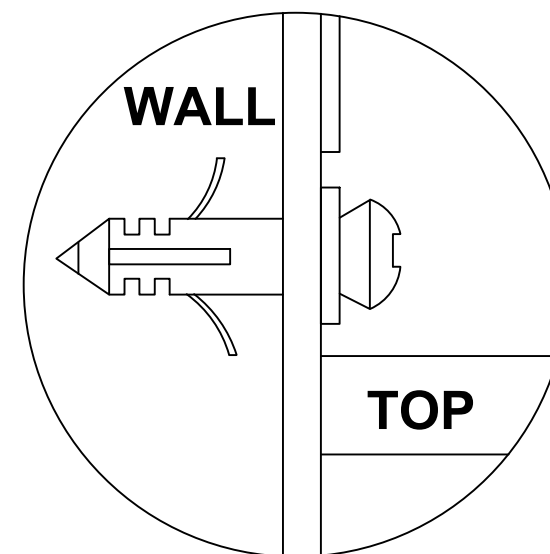
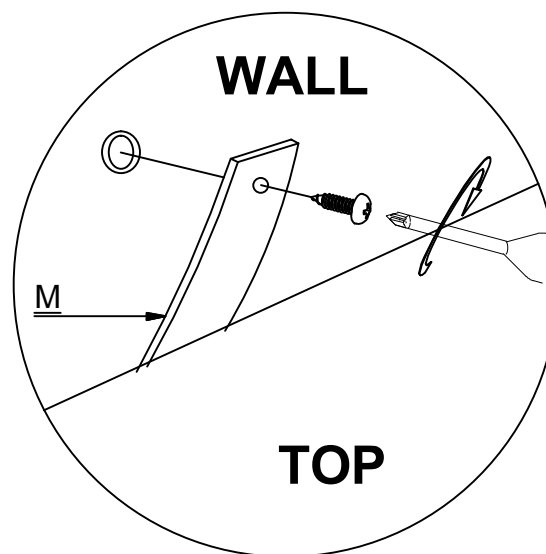
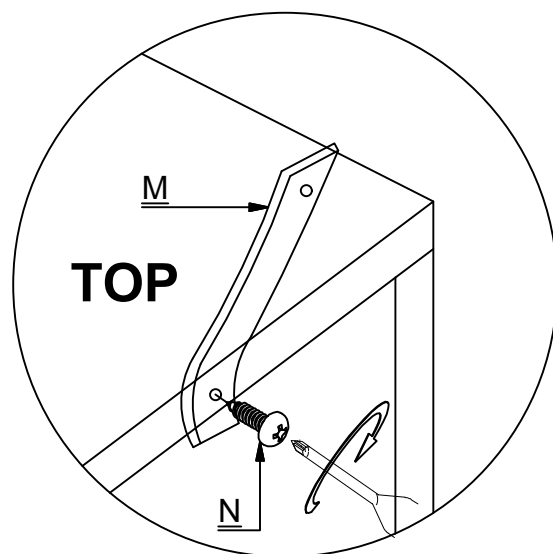
HARDWARE LIST



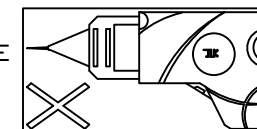
(M) Anti-Tip Strap - 2 pc



(N) M4 X 16MM - 2 pc



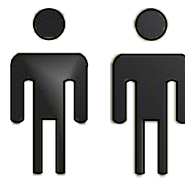
CAUTION : THE USE OF POWER TOOLS TO ASSEMBLE THIS PRODUCT WILL INVALIDATE ANY CLAIM AND MAY DAMAGE THIS PRODUCT MAKING IT UNSAFE.



MODEL NAME :
BELLINGHAM 3 DRAWER CHEST

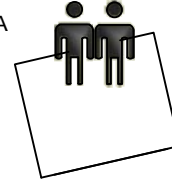
1.0hr

APPROXIMATE ASSEMBLY TIME



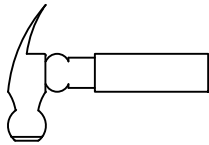
2 PEOPLE FOR ASSEMBLY

FLOOR AREA
1.1M X 1.2M

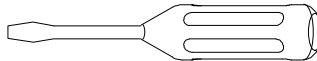


REQUIRED ASSEMBLY SPACE

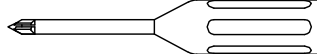
REQUIRED ASSEMBLY TOOLS



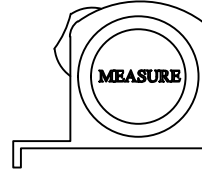
HAMMER



FLAT HEAD SCREWDRIVER

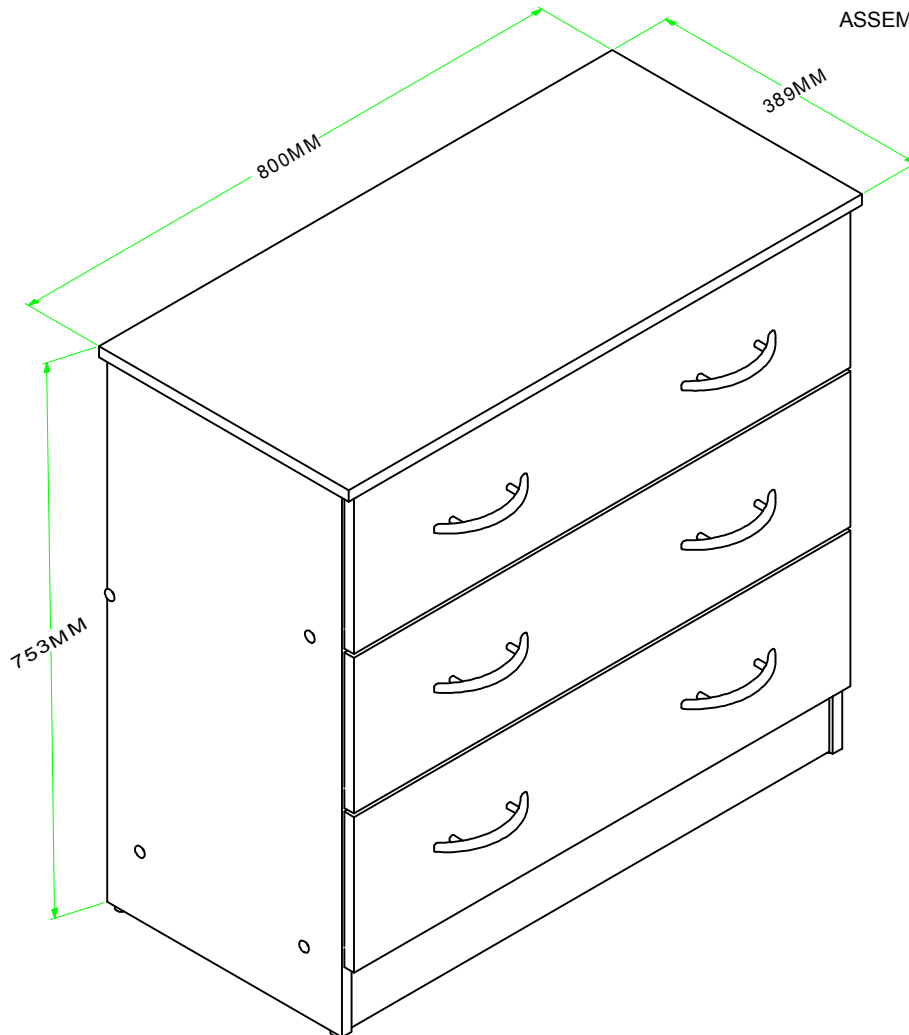


POZI SCREWDRIVER



MEASURING TAPE

ASSEMBLED DIMENSIONS

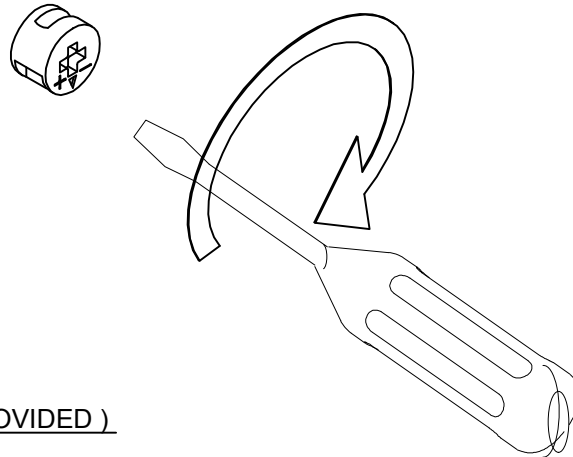


FOR DOMESTIC USE ONLY

NOTE : THE MAXIMUM WEIGHT THIS PRODUCT CAN HOLD UP TO 25 KGS.

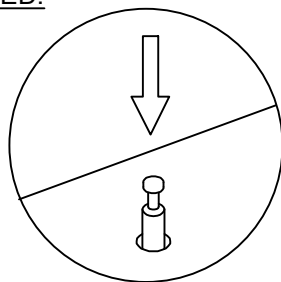
MODEL NAME:

BELLINGHAM 3 DRAWER CHEST

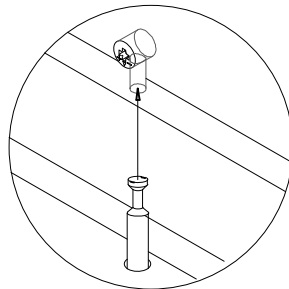


(SCREWDRIVER NOT PROVIDED)

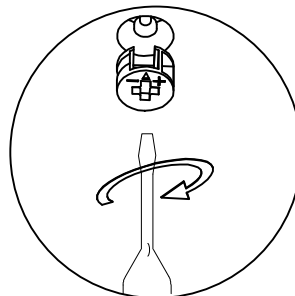
USE A FLAT HEAD SCREWDRIVER TO TIGHTEN THE CAM NUTS. A QUARTER TURN CLOCKWISE IS ALL THAT IS NEEDED.



STEP 1 - PUSH CAM BOLT INTO INSERT



STEP 2 - ALIGN THE CAM BOLT WITH THE HOLE AND PUSH TOGETHER UNTIL FLUSH. (MAKE SURE THE ARROW OF CAM LOCK IS POINTING TOWARD THE HOLE ON EDGE OF PANEL.)

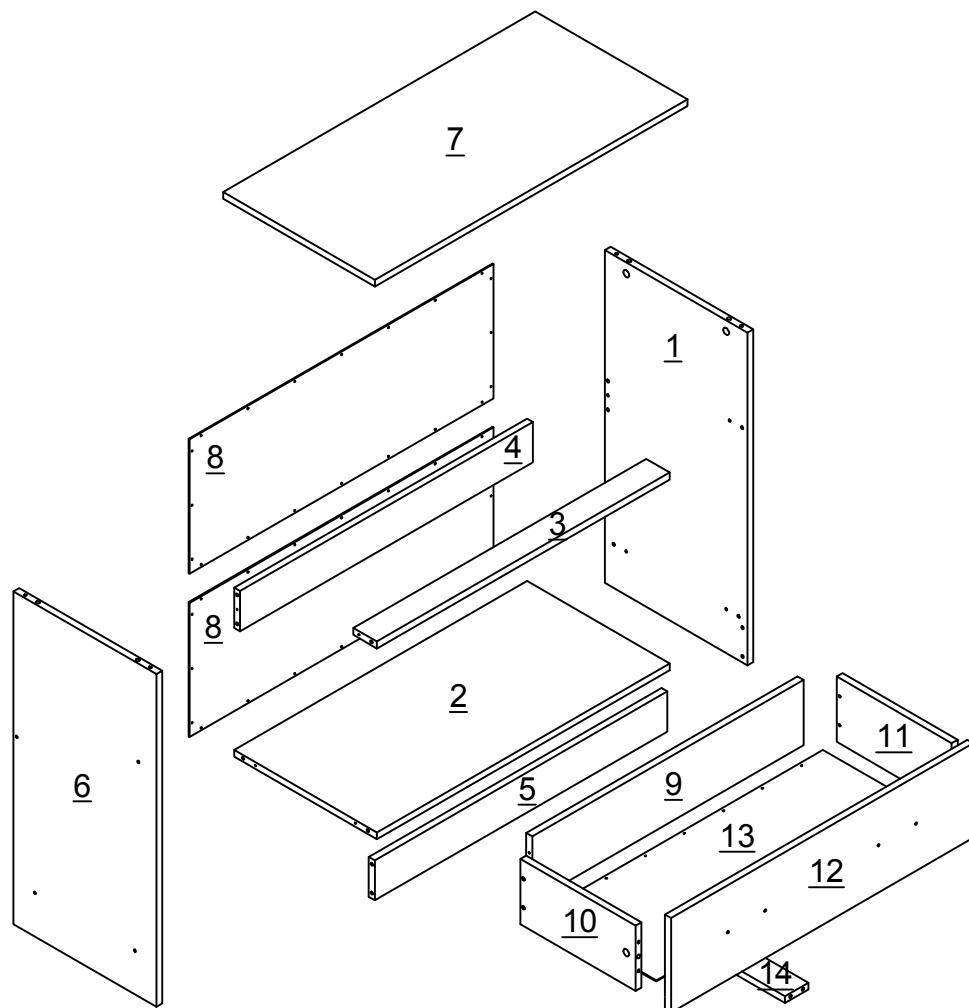


STEP 3 - THE HEAD OF THE BOLT GOES INTO THE WIDE MOUTH OF THE CAM LOCK. YOU THEN TURN THE LOCK SO THE NARROW PART CLOSES OVER THE BOLT.

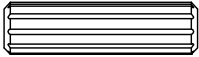


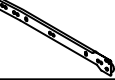
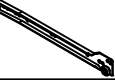


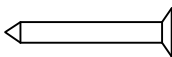
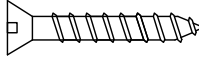
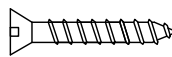

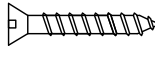




MODEL NAME:

BELLINGHAM 3 DRAWER CHEST

NO	PART LIST	QTY	NO	PART LIST	QTY
(1)	RIGHT SIDE PANEL	1	(8)	BACK PANEL	2
(2)	BOTTOM PANEL	1	(9)	DRAWER BACK PANEL	3
(3)	FRONT CROSS SUPPORT	1	(10)	DRAWER LEFT SIDE PANEL	3
(4)	BACK CROSS SUPPORT	1	(11)	DRAWER RIGHT SIDE PANEL	3
(5)	CROSSBAR	1	(12)	DRAWER FRONT	3
(6)	LEFT SIDE PANEL	1	(13)	DRAWER BOTTOM PANEL	3
(7)	TOP PANEL	1	(14)	DRAWER SUPPORT	3

PARTS LIST

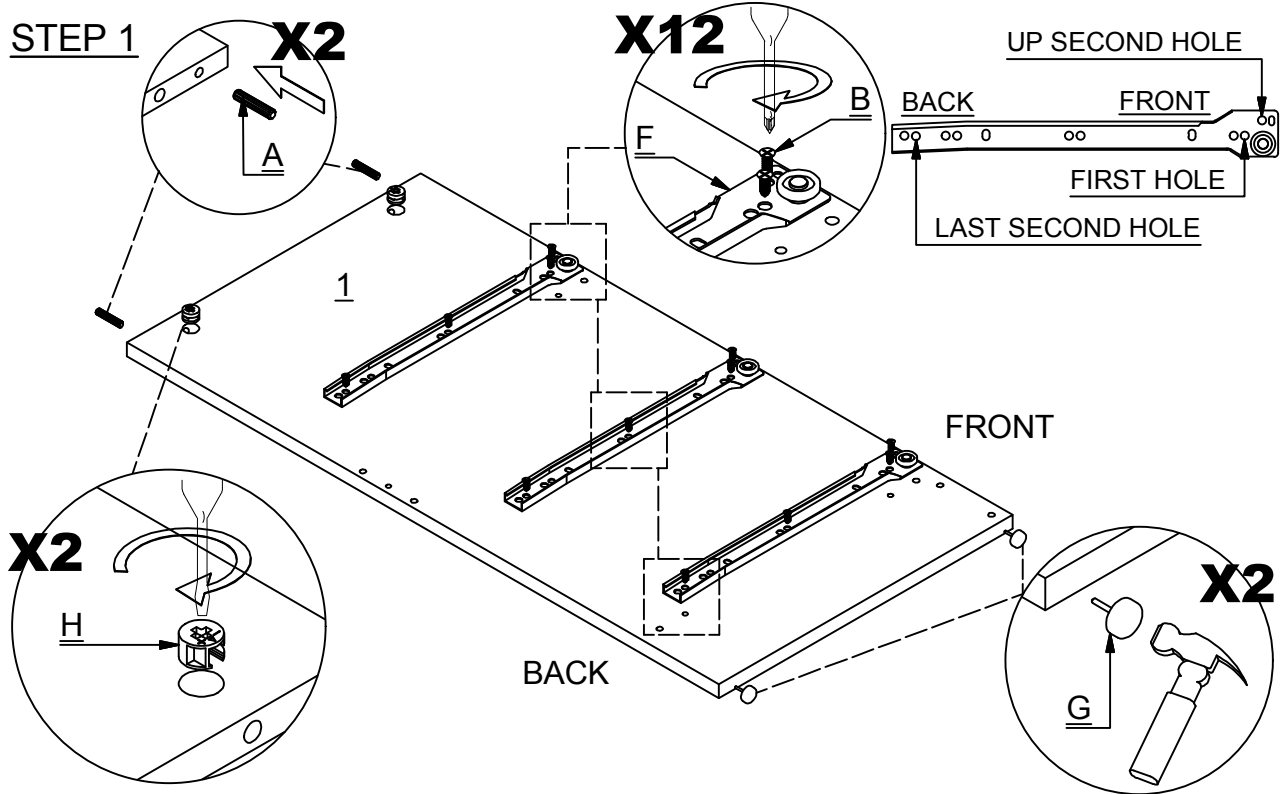
MODEL NAME:**BELLINGHAM 3 DRAWER CHEST****HARDWARE LIST**

A		DOWEL 6 X 30MM	36 PCS
B		SCREW M3.5 X 12MM	38 PCS
C		DRAWER RUNNER (LEFT)	3 PCS
D		DRAWER RUNNER (RIGHT)	3 PCS
E		DRAWER RUNNER TRACK (LEFT)	3 PCS
F		DRAWER RUNNER TRACK (RIGHT)	3 PCS
G		PLASTIC FOOT	4 PCS
H		CAM BOLT + LOCK	10 SETS
I		TACK	47 PCS
J		SCREW M4 X 50MM	8 PCS
K		SCREW M4 X 38MM	12 PCS
L		HANDLE	6 PCS
M		HANDLE SCREW M4 X 25MM	12 PCS
N		PLASTIC SCREW COVER	8 PCS
O		SCREW M3.5 X 16MM	18 PCS
P		SCREW M4 X 30MM	6 PCS
Q		ANTI - TIP STRAP	2 PCS
R		SCREW M4 X 16MM	2 PCS

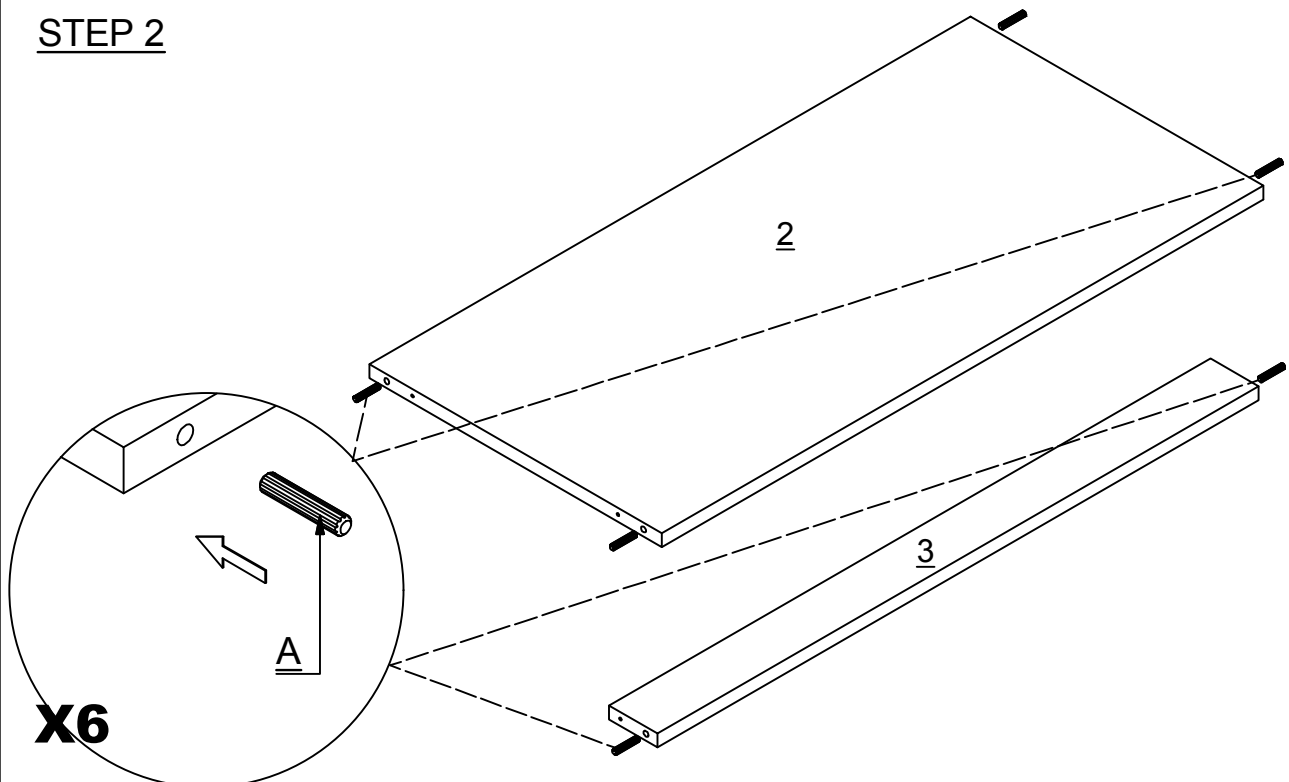
MODEL NAME:

BELLINGHAM 3 DRAWER CHEST

STEP 1



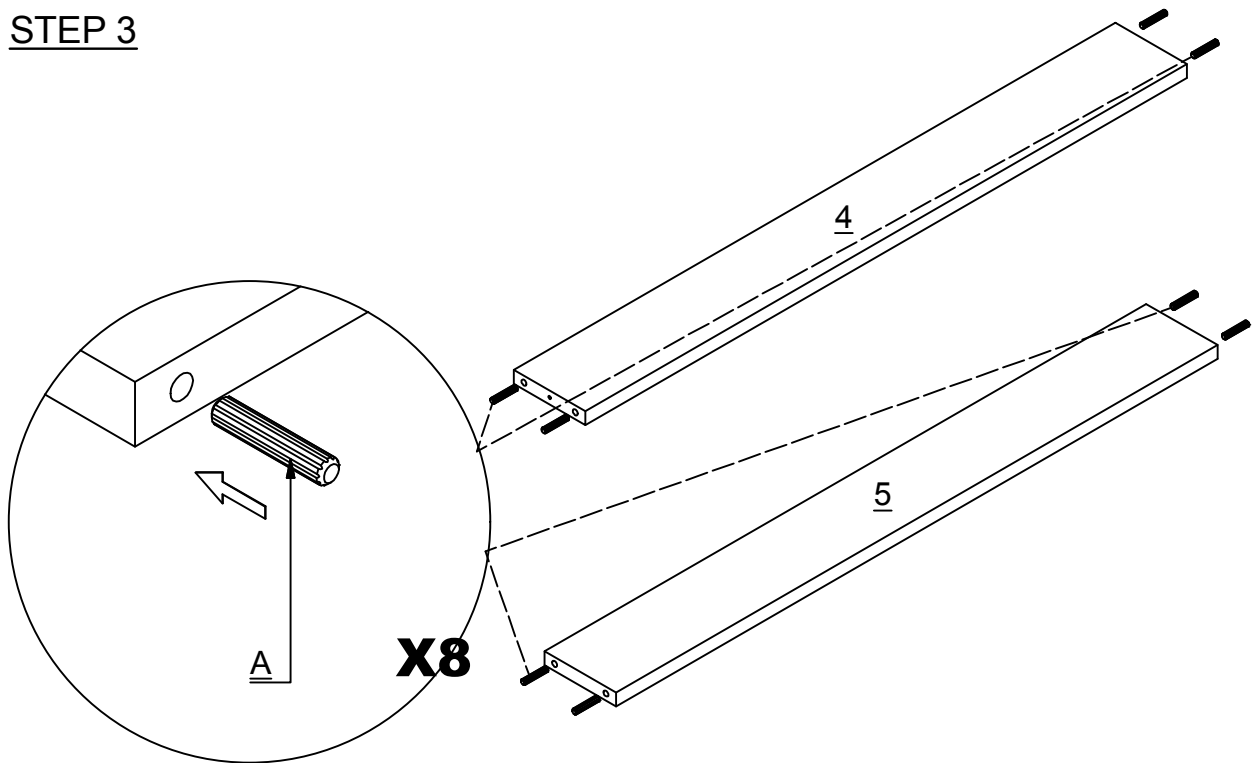
STEP 2



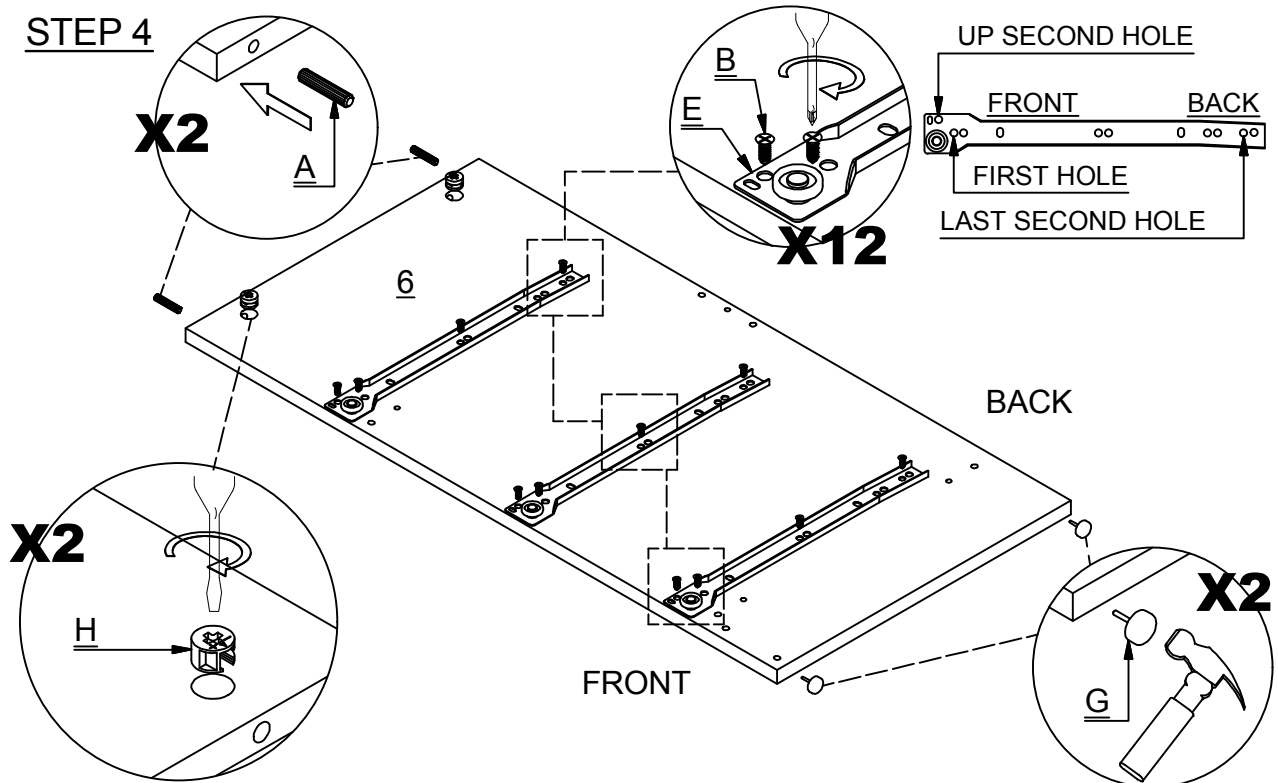
MODEL NAME:

BELLINGHAM 3 DRAWER CHEST

STEP 3



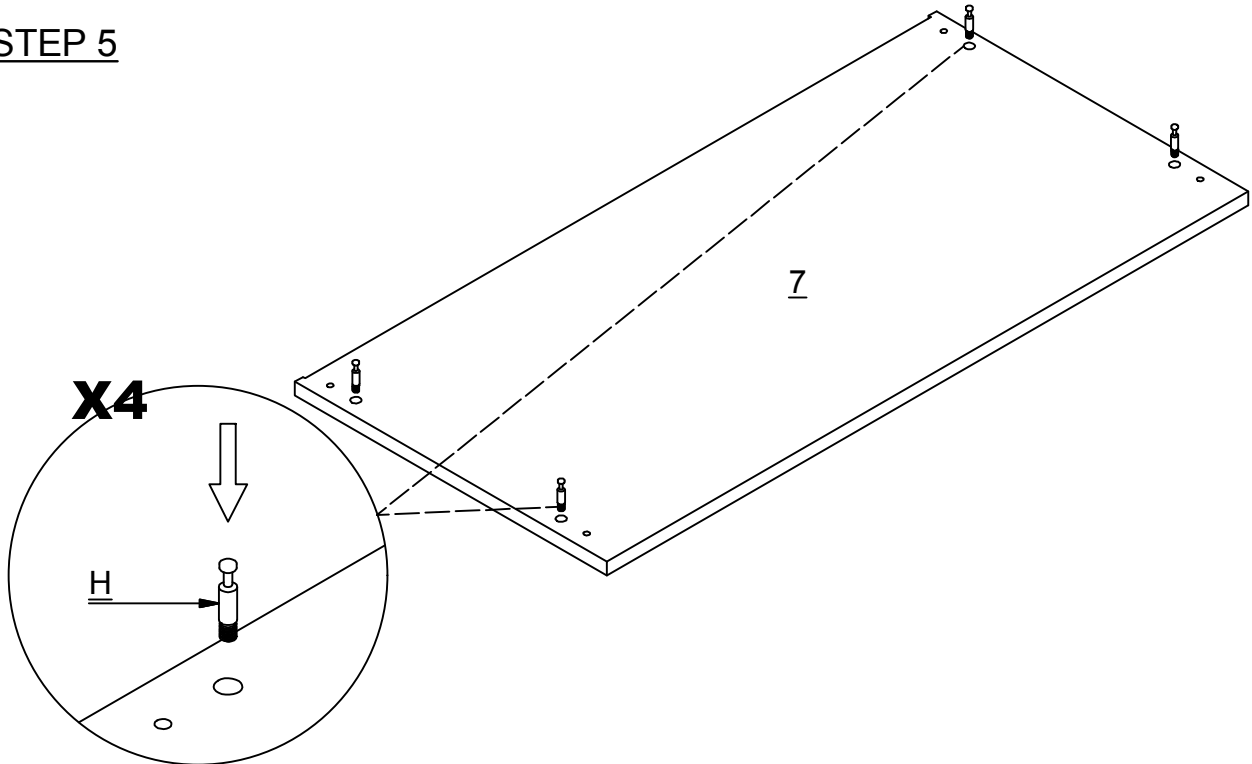
STEP 4



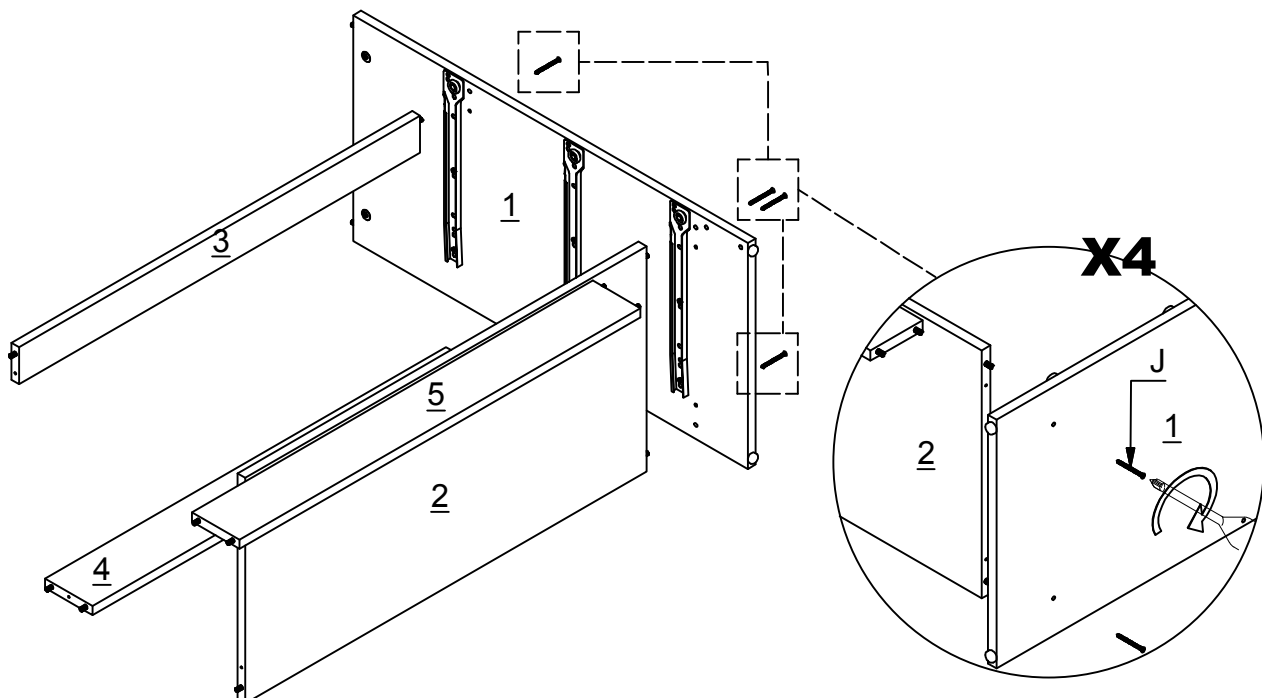
MODEL NAME:

BELLINGHAM 3 DRAWER CHEST

STEP 5



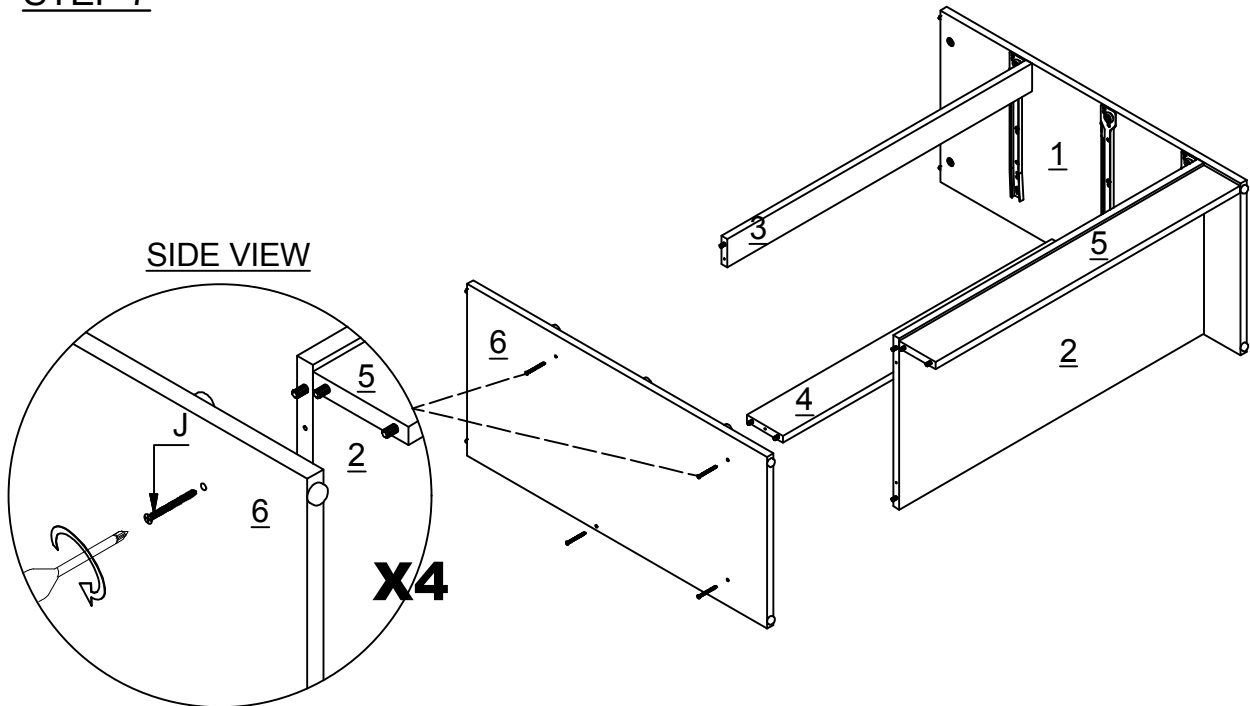
STEP 6



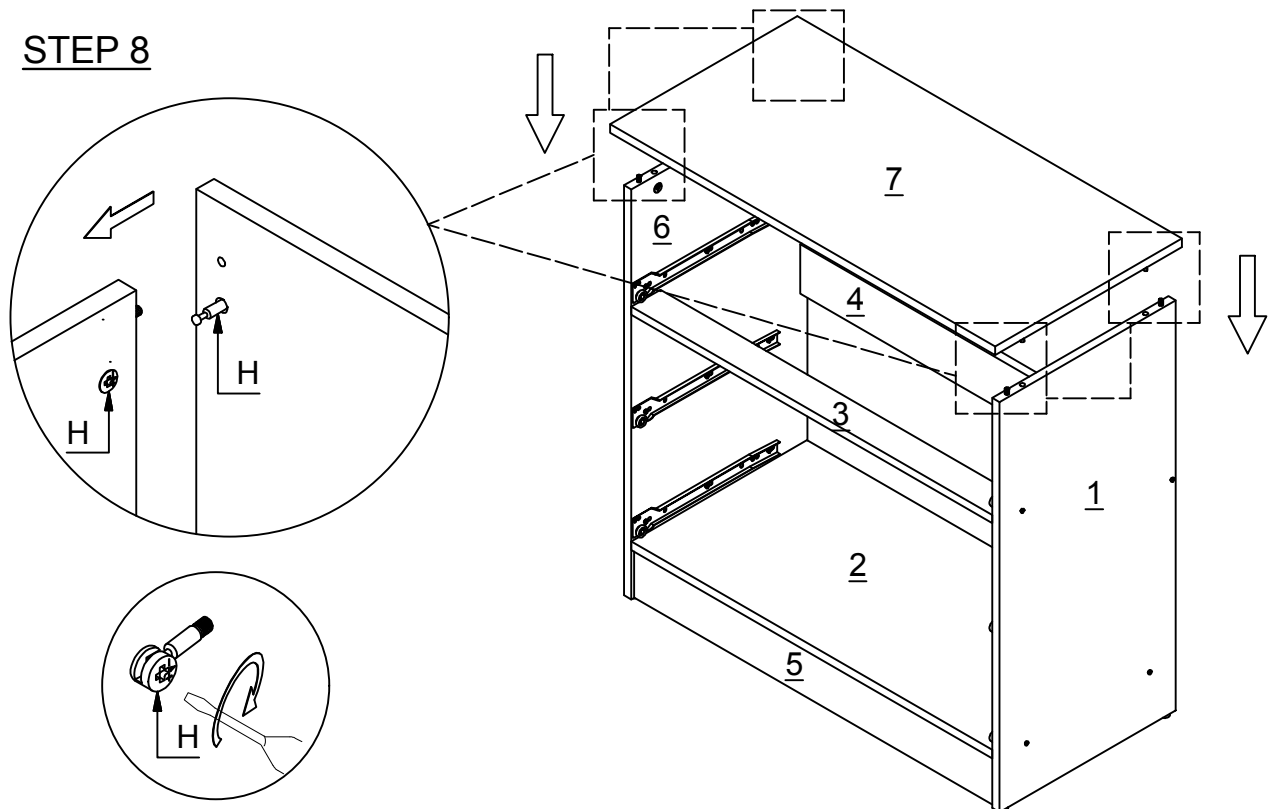
MODEL NAME:

BELLINGHAM 3 DRAWER CHEST

STEP 7



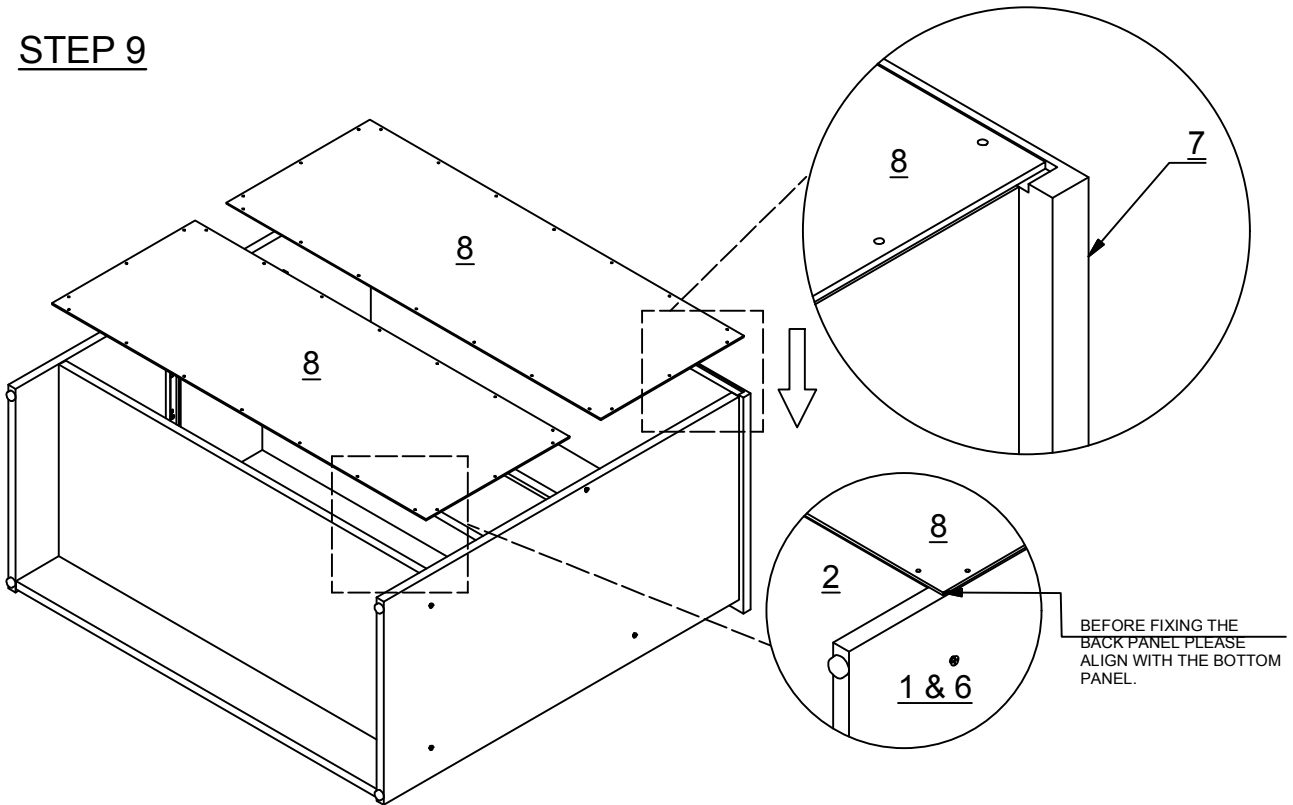
STEP 8



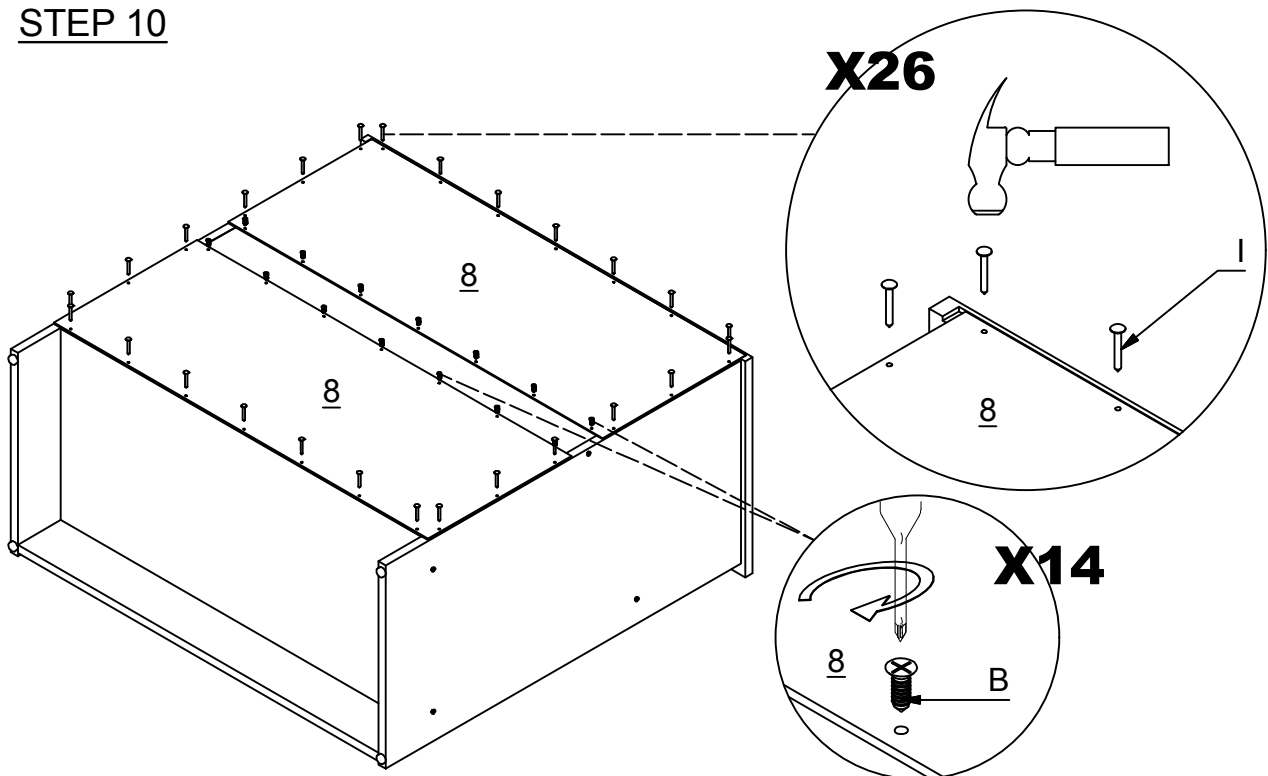
MODEL NAME:

BELLINGHAM 3 DRAWER CHEST

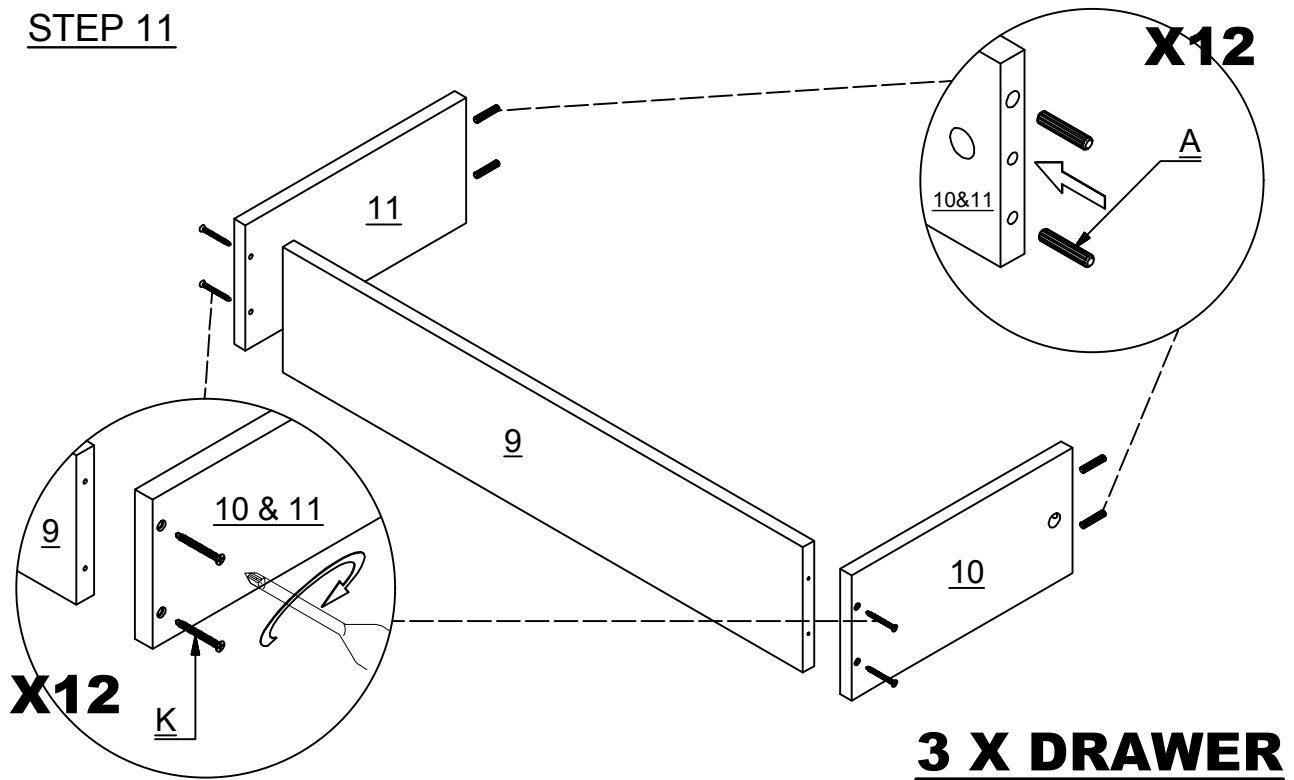
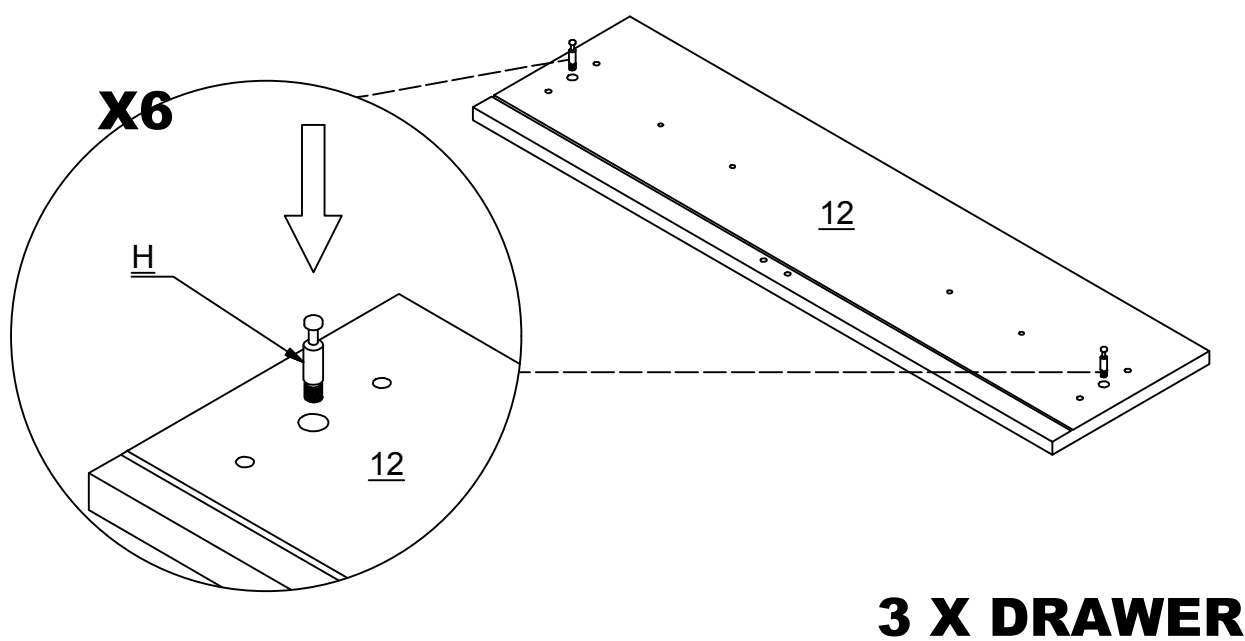
STEP 9



STEP 10



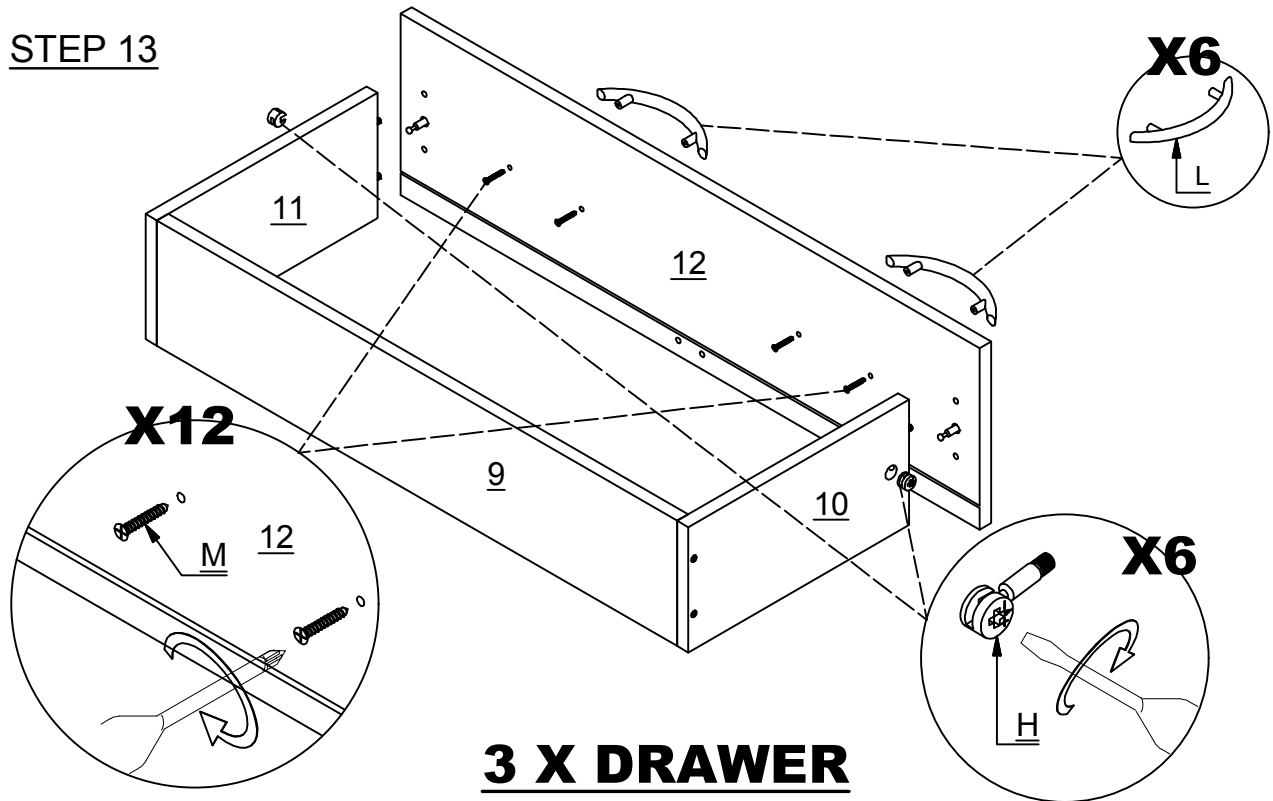
MODEL NAME:

BELLINGHAM 3 DRAWER CHESTSTEP 11STEP 12

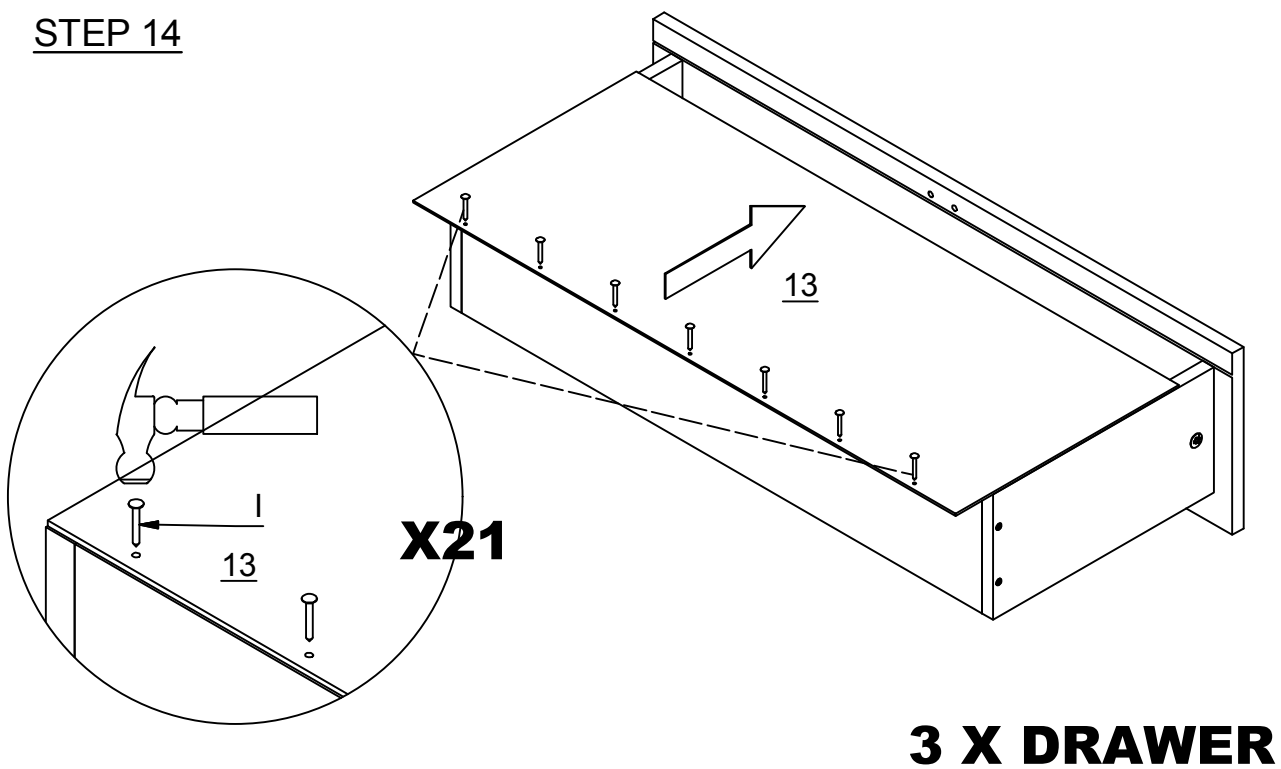
MODEL NAME:

BELLINGHAM 3 DRAWER CHEST

STEP 13



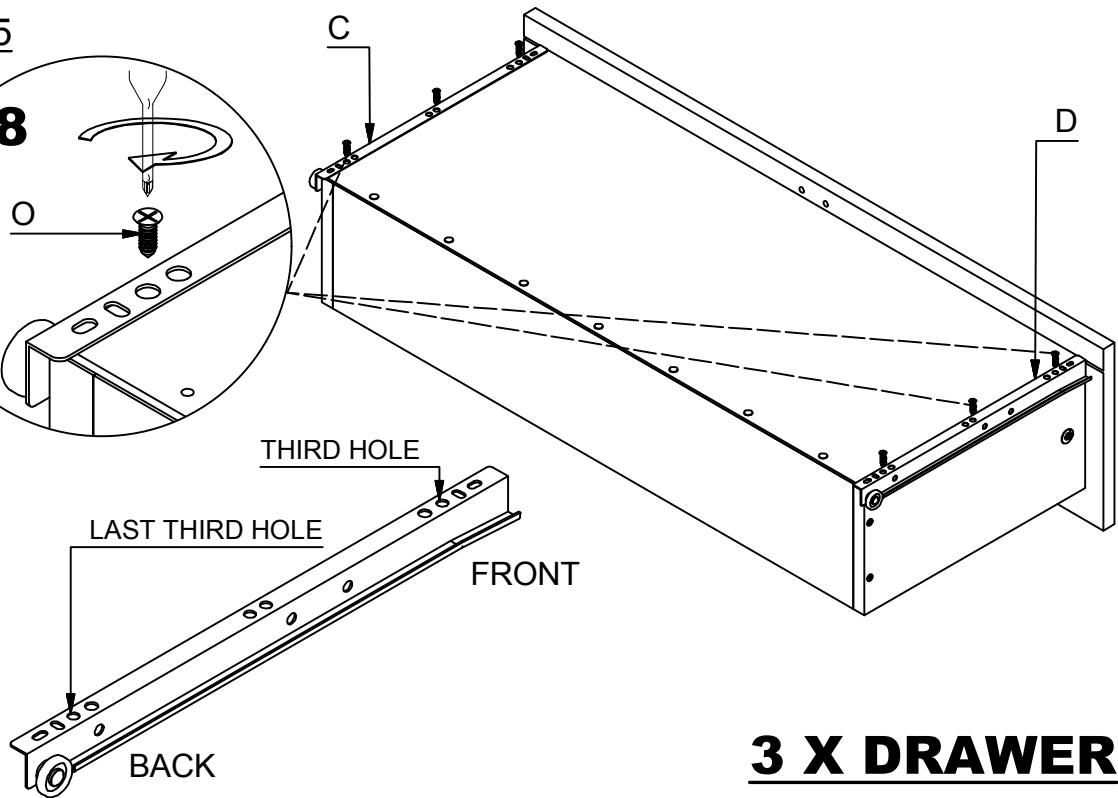
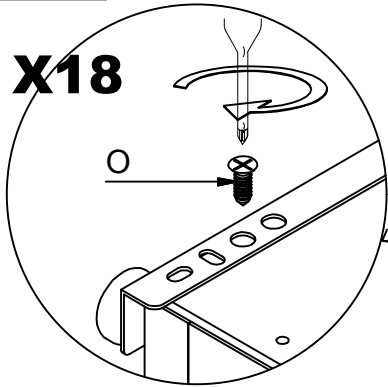
STEP 14



MODEL NAME:

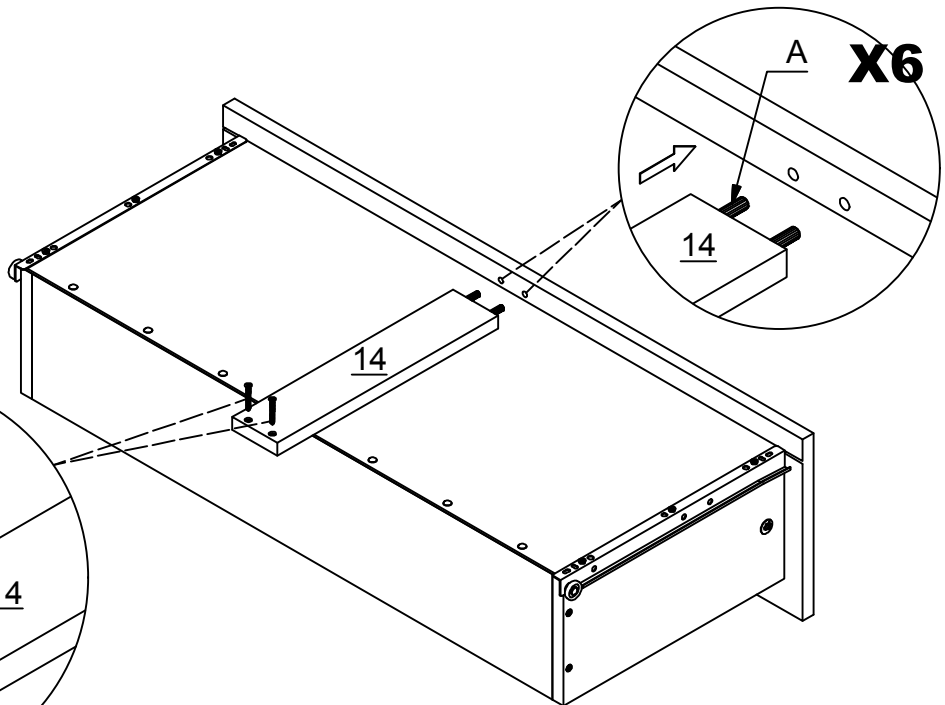
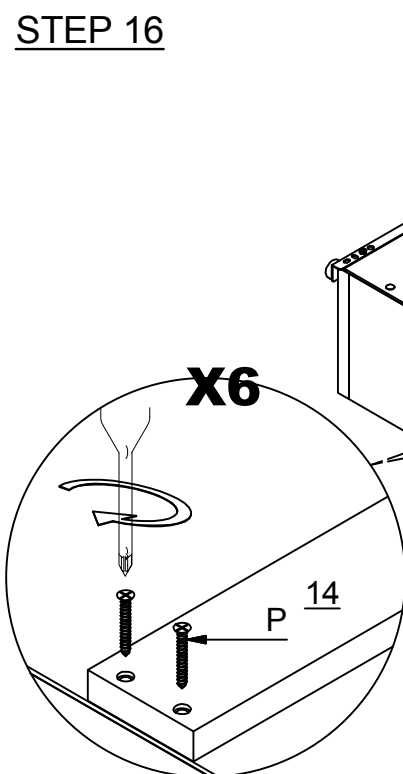
BELLINGHAM 3 DRAWER CHEST

STEP 15



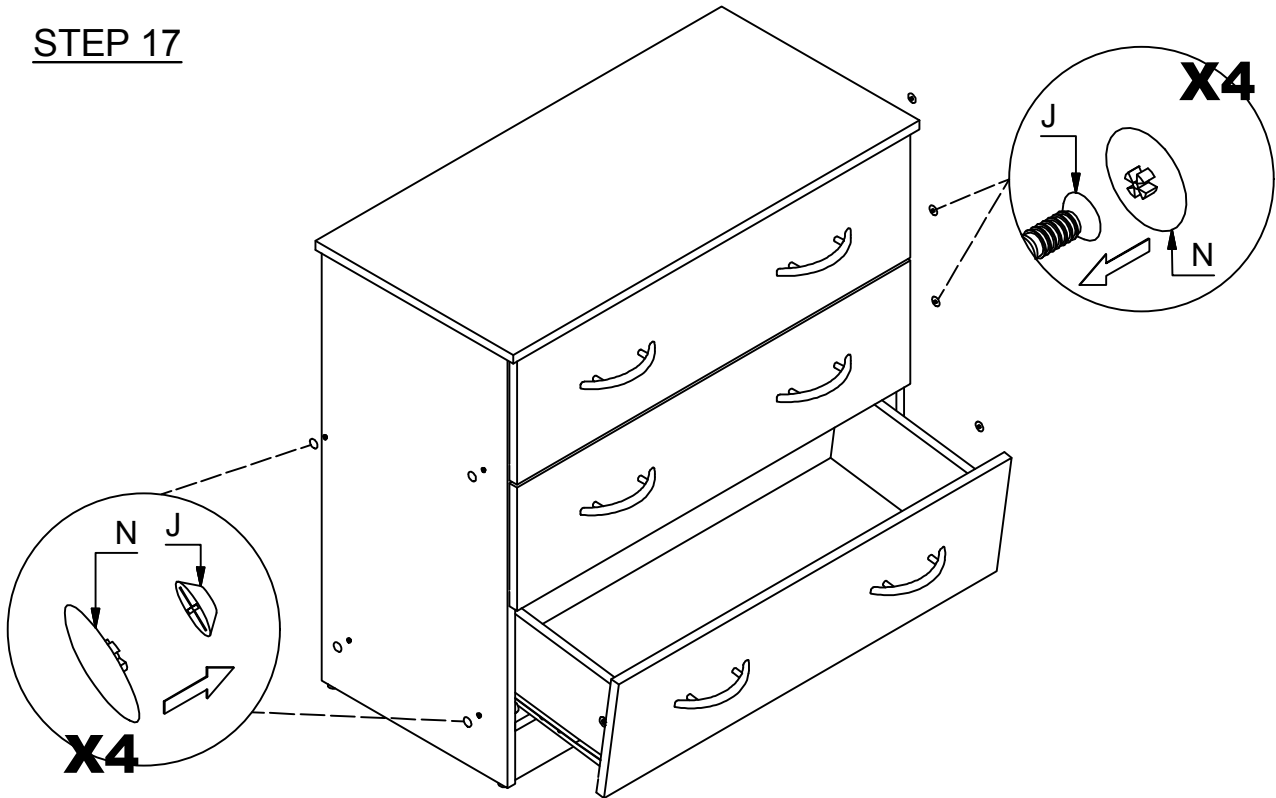
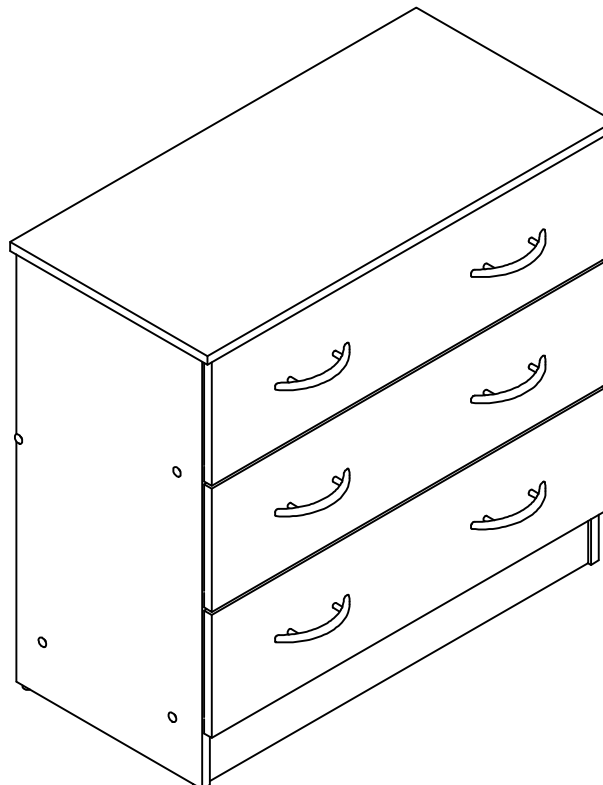
3 X DRAWER

STEP 16



3 X DRAWER

MODEL NAME:

BELLINGHAM 3 DRAWER CHESTSTEP 17STEP 18

WARNING

Serious or fatal injuries can occur from furniture tipping over. To prevent the furniture from tipping over we recommend that it is permanently fixed to the wall.

Wall fixings are not supplied with this product as different wall materials require different types of fixing devices. Please make sure you use fixings suitable for the walls in your home.

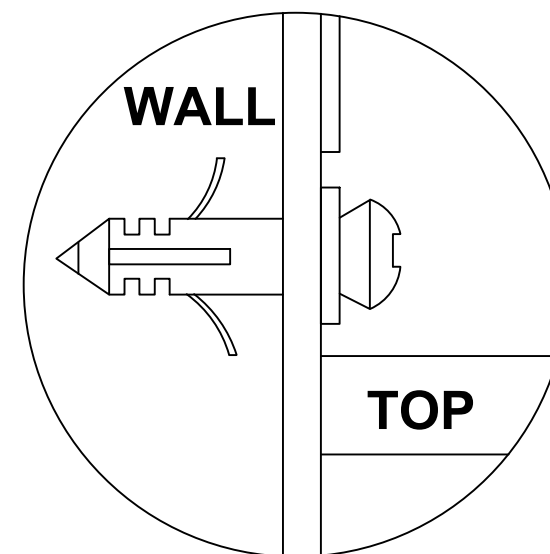
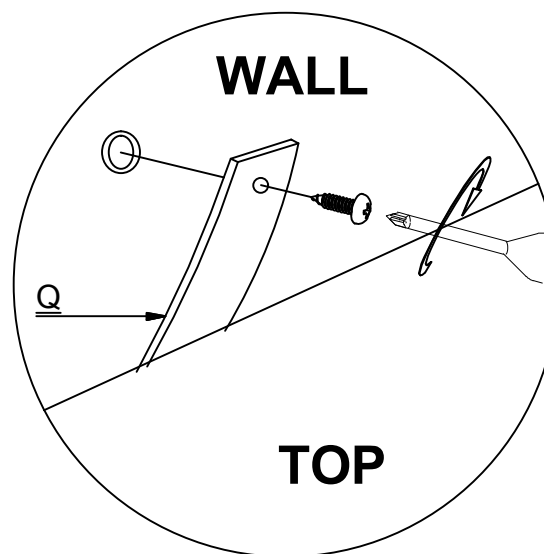
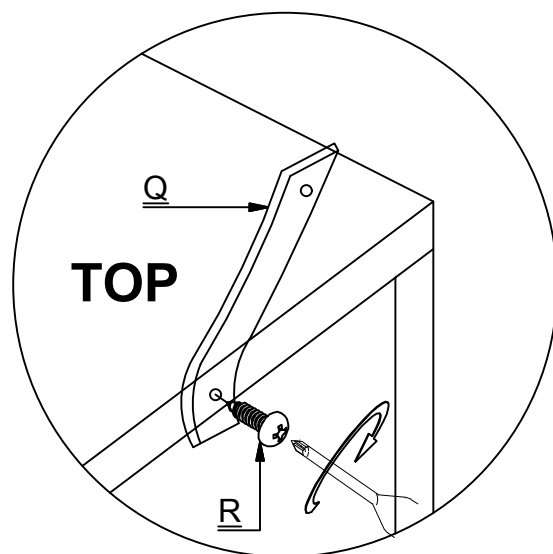
HARDWARE LIST



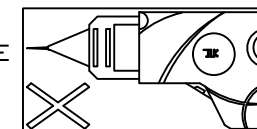
(Q) Anti-Tip Strap - 2 pc



(R) M4 X 16MM - 2 pc



CAUTION : THE USE OF POWER TOOLS TO ASSEMBLE THIS PRODUCT WILL INVALIDATE ANY CLAIM AND MAY DAMAGE THIS PRODUCT MAKING IT UNSAFE.



MODEL NAME :
BELLINGHAM 1 DRAWER BEDSIDE CABINET

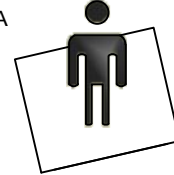
60min

APPROXIMATE ASSEMBLY TIME

1 PERSON FOR ASSEMBLY

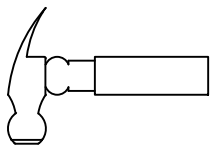


FLOOR AREA
 1.0M X 1.0M

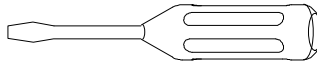


REQUIRED ASSEMBLY SPACE

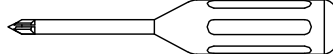
REQUIRED ASSEMBLY TOOLS



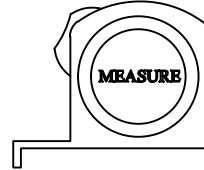
HAMMER



FLAT HEAD SCREWDRIVER

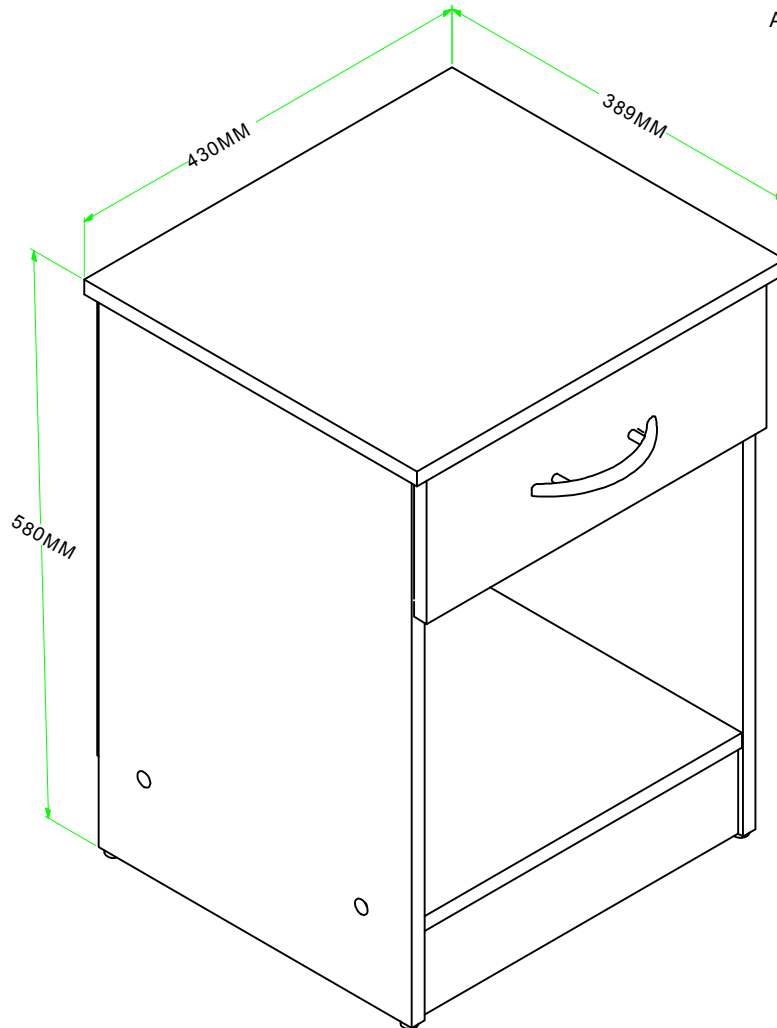


POZI SCREWDRIVER



MEASURING TAPE

ASSEMBLED DIMENSIONS

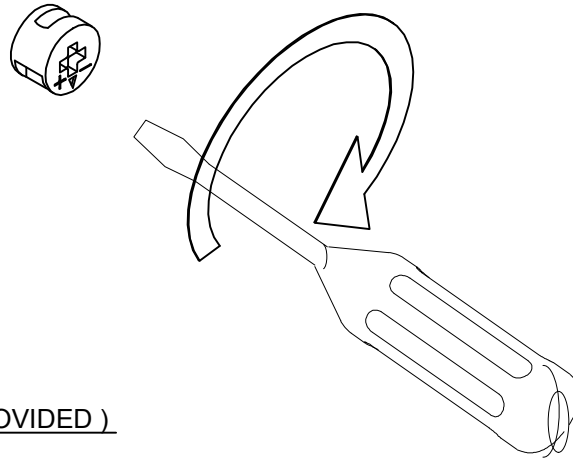


FOR DOMESTIC USE ONLY

NOTE : THE MAXIMUM WEIGHT THIS PRODUCT CAN HOLD UP TO 25 KGS.

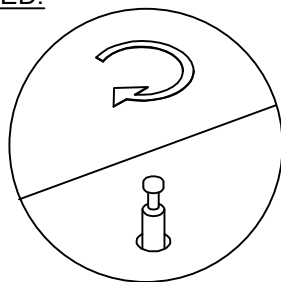
MODEL NAME:

BELLINGHAM 1 DRAWER BEDSIDE CABINET

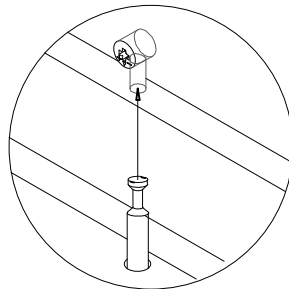


(SCREWDRIVER NOT PROVIDED)

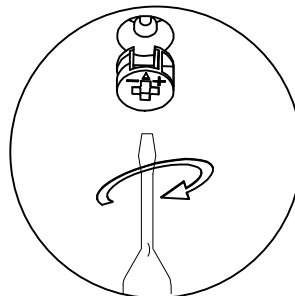
USE A FLAT HEAD SCREWDRIVER TO TIGHTEN THE CAM NUTS. A QUARTER TURN CLOCKWISE IS ALL THAT IS NEEDED.



STEP 1 - THREAD CAM BOLT INTO INSERT AND TIGHTEN WITH FINGER.



STEP 2 - ALIGN THE CAM BOLT WITH THE HOLE AND PUSH TOGETHER UNTIL FLUSH. (MAKE SURE THE ARROW OF CAM LOCK IS POINTING TOWARD THE HOLE ON EDGE OF PANEL.)



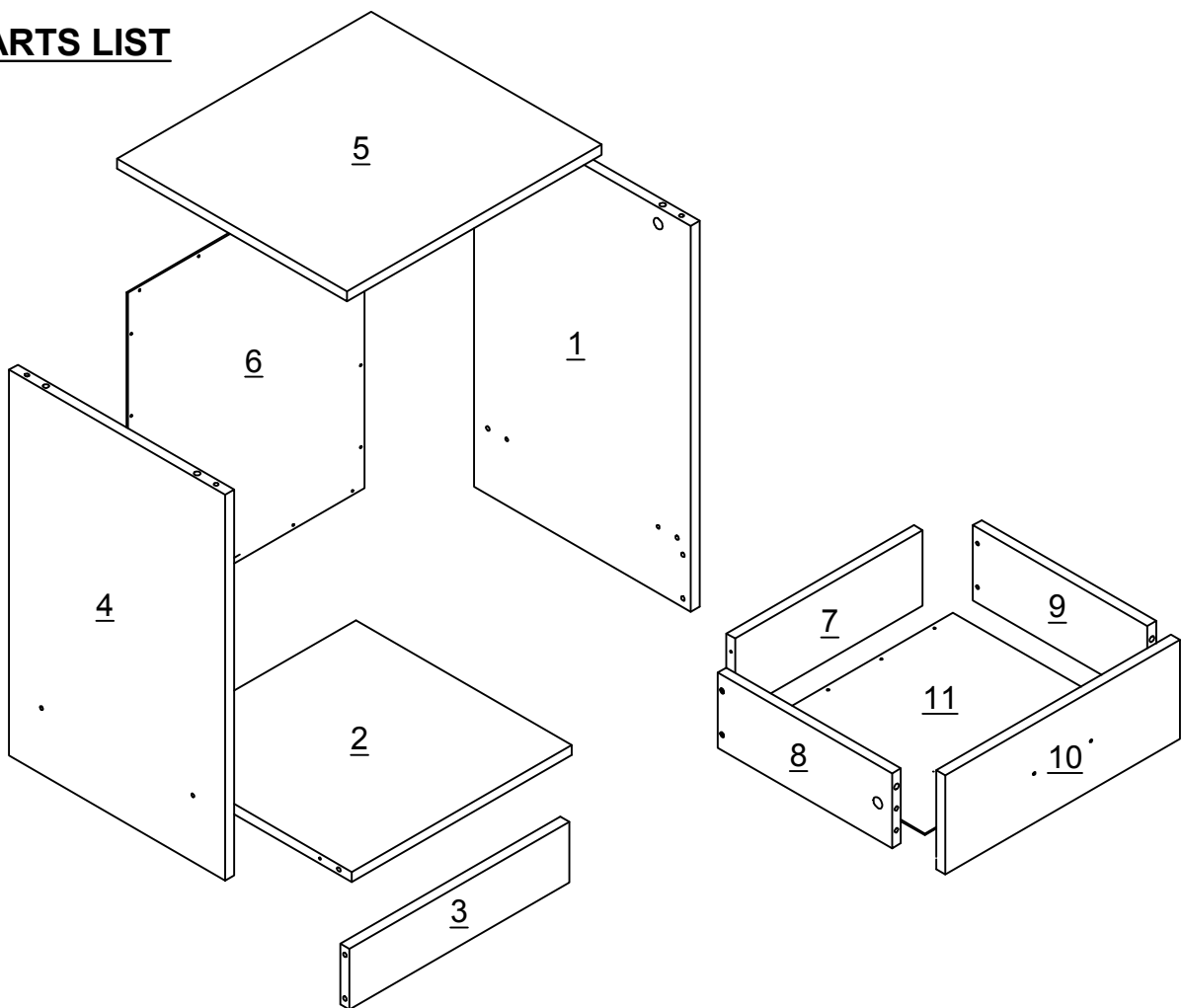
STEP 3 - THE HEAD OF THE BOLT GOES INTO THE WIDE MOUTH OF THE CAM LOCK. YOU THEN TURN THE LOCK SO THE NARROW PART CLOSES OVER THE BOLT.

MODEL NAME:


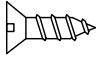
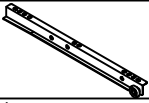

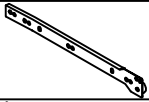
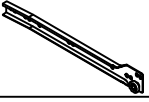
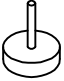
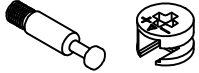
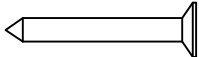

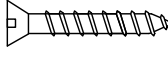

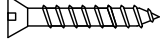


BELLINGHAM 1 DRAWER BEDSIDE CABINET

NO	PART LIST	QTY	NO	PART LIST	QTY
(1)	RIGHT SIDE PANEL	1	(7)	DRAWER BACK PANEL	1
(2)	BASE PANEL	1	(8)	DRAWER LEFT SIDE PANEL	1
(3)	CROSSBAR	1	(9)	DRAWER RIGHT SIDE PANEL	1
(4)	LEFT SIDE PANEL	1	(10)	DRAWER FRONT PANEL	1
(5)	TOP PANEL	1	(11)	DRAWER BOTTOM PANEL	1
(6)	BACK PANEL	1			

PARTS LIST



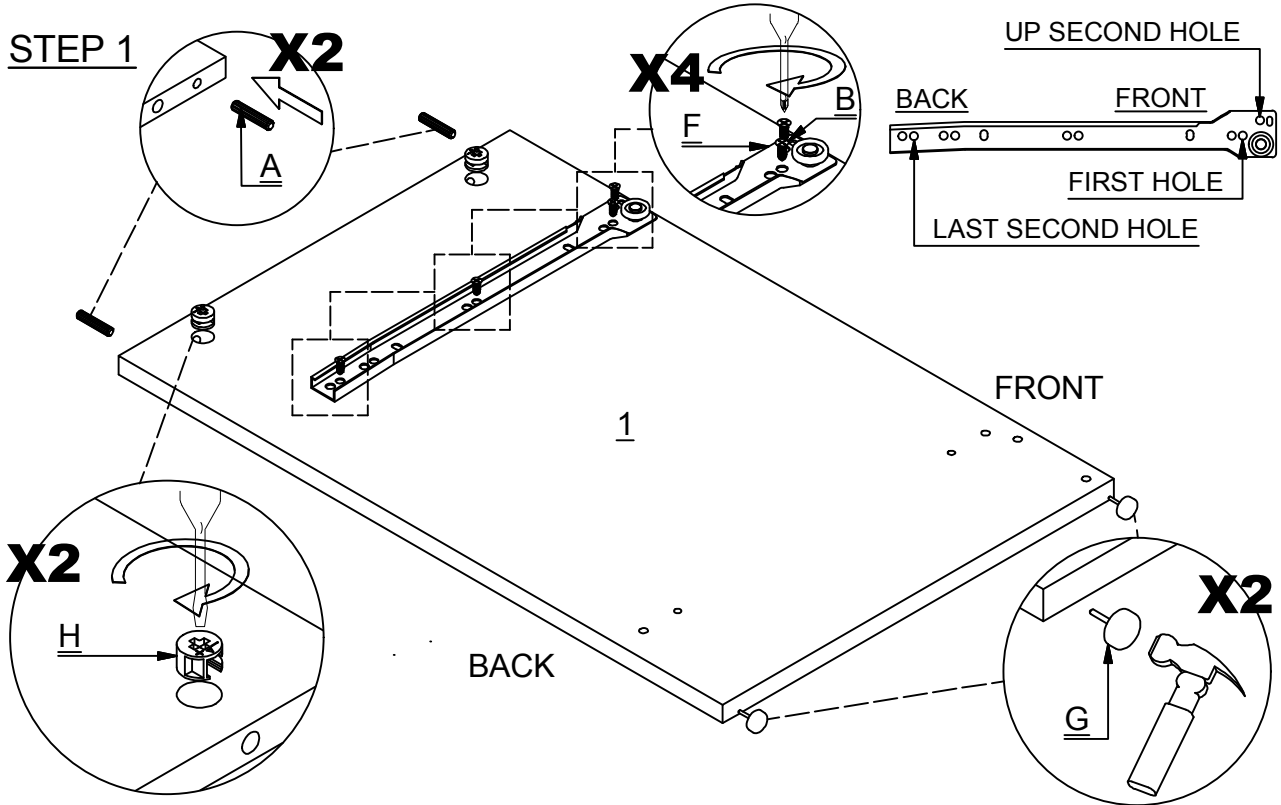
MODEL NAME:**BELLINGHAM 1 DRAWER BEDSIDE CABINET****HARDWARE LIST**

A		DOWEL 6 X 30MM	16 PCS
B		SCREW M3.5 X 12MM	8 PCS
C		DRAWER RUNNER (LEFT)	1 PC
D		DRAWER RUNNER (RIGHT)	1 PC
E		DRAWER RUNNER TRACK (LEFT)	1 PC
F		DRAWER RUNNER TRACK (RIGHT)	1 PC
G		PLASTIC FOOT	4 PCS
H		CAM BOLT + LOCK	6 SETS
I		TACK	20 PCS
J		SCREW M4 X 50MM	4 PCS
K		SCREW M4 X 38MM	4 PCS
L		HANDLE	1 PC
M		HANDLE SCREW M4 X 25MM	2 PCS
N		PLASTIC SCREW COVER	4 PCS
O		SCREW M3.5 X 16MM	6 PCS

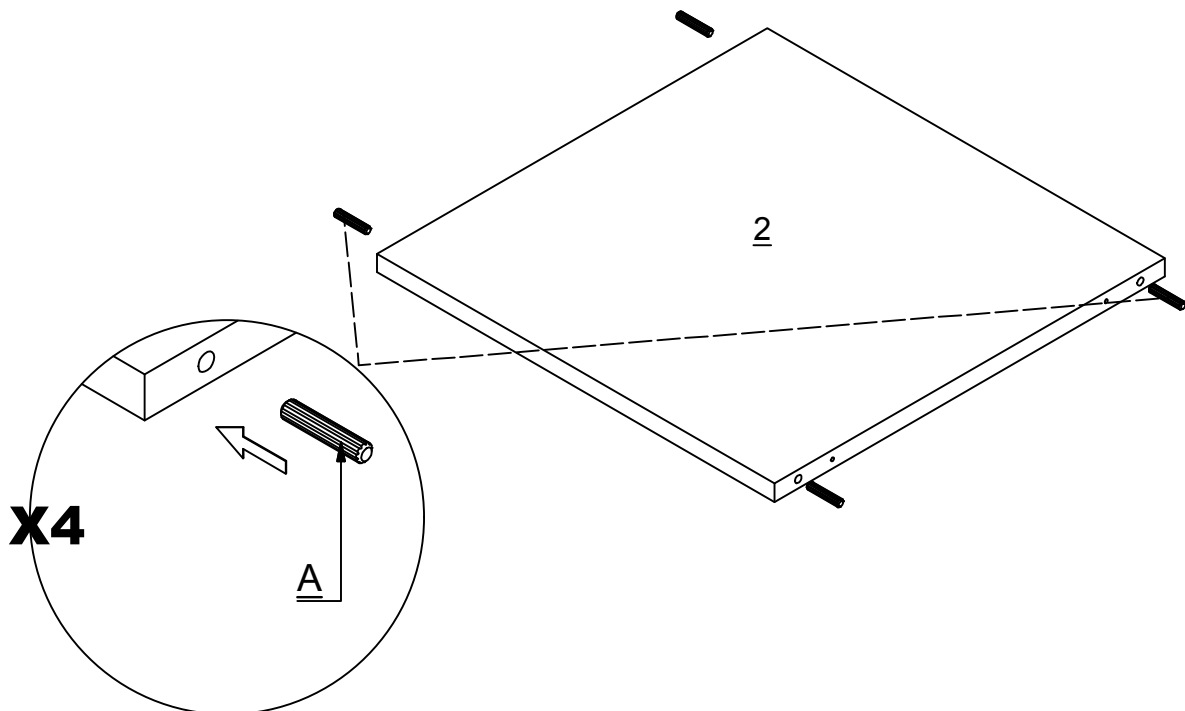
MODEL NAME:

BELLINGHAM 1 DRAWER BEDSIDE CABINET

STEP 1



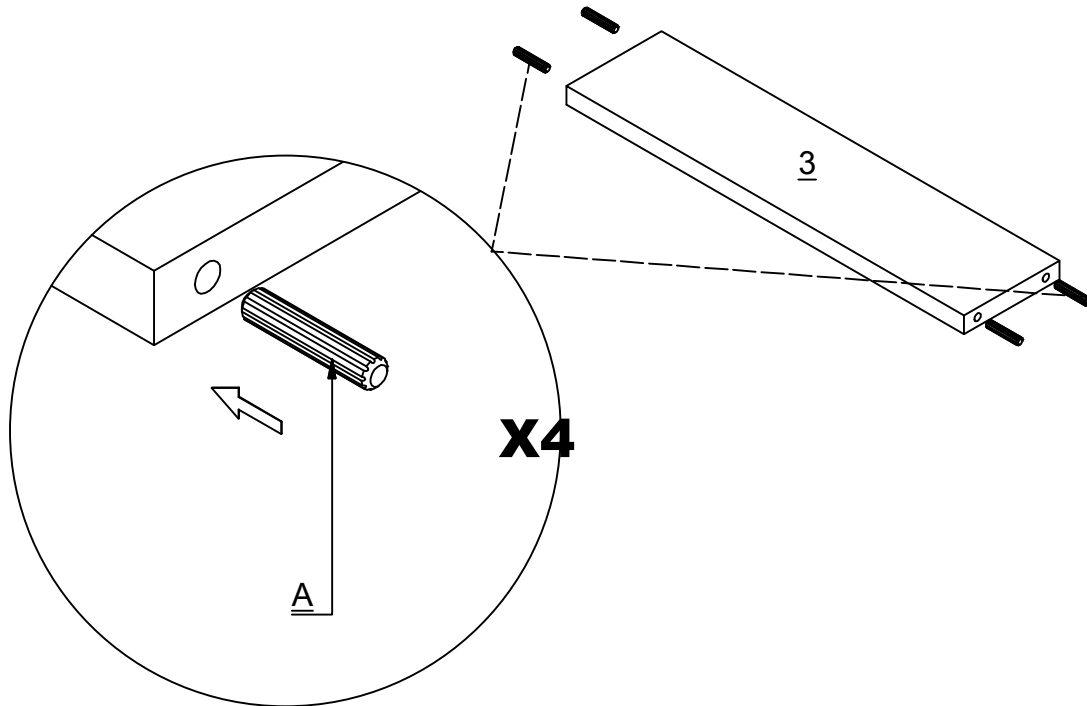
STEP 2



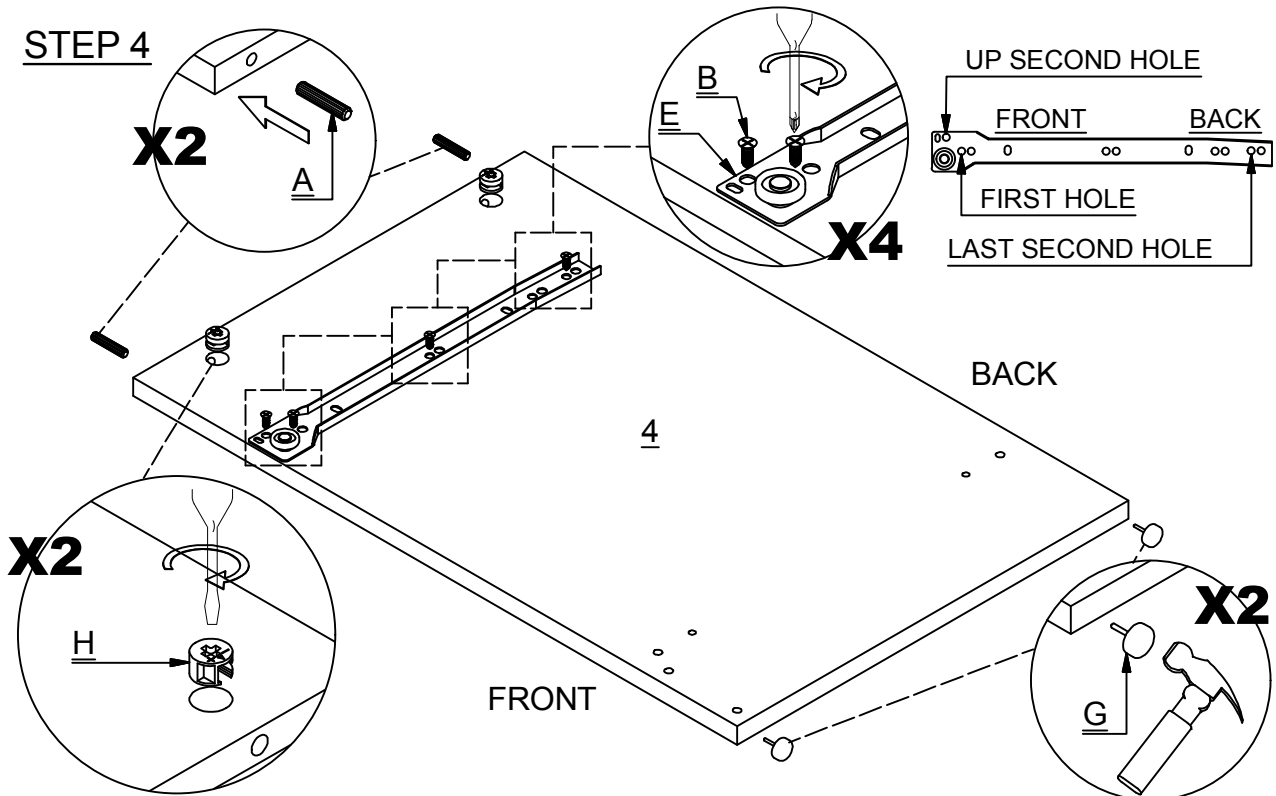
MODEL NAME:

BELLINGHAM 1 DRAWER BEDSIDE CABINET

STEP 3



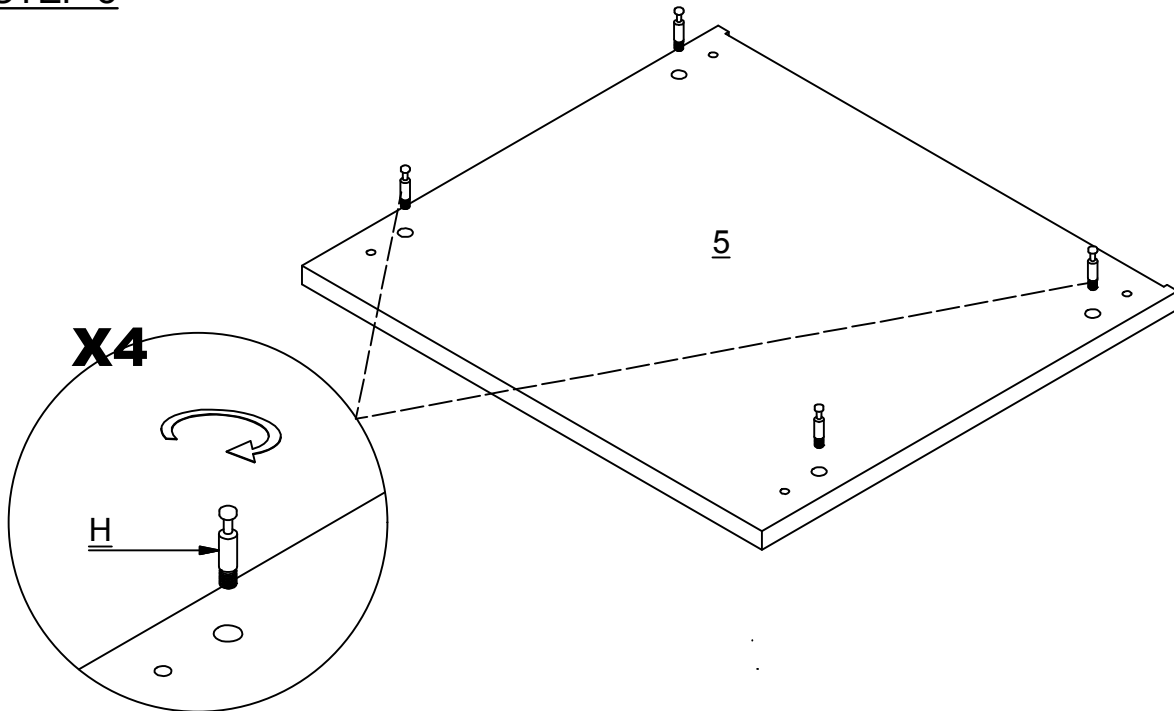
STEP 4



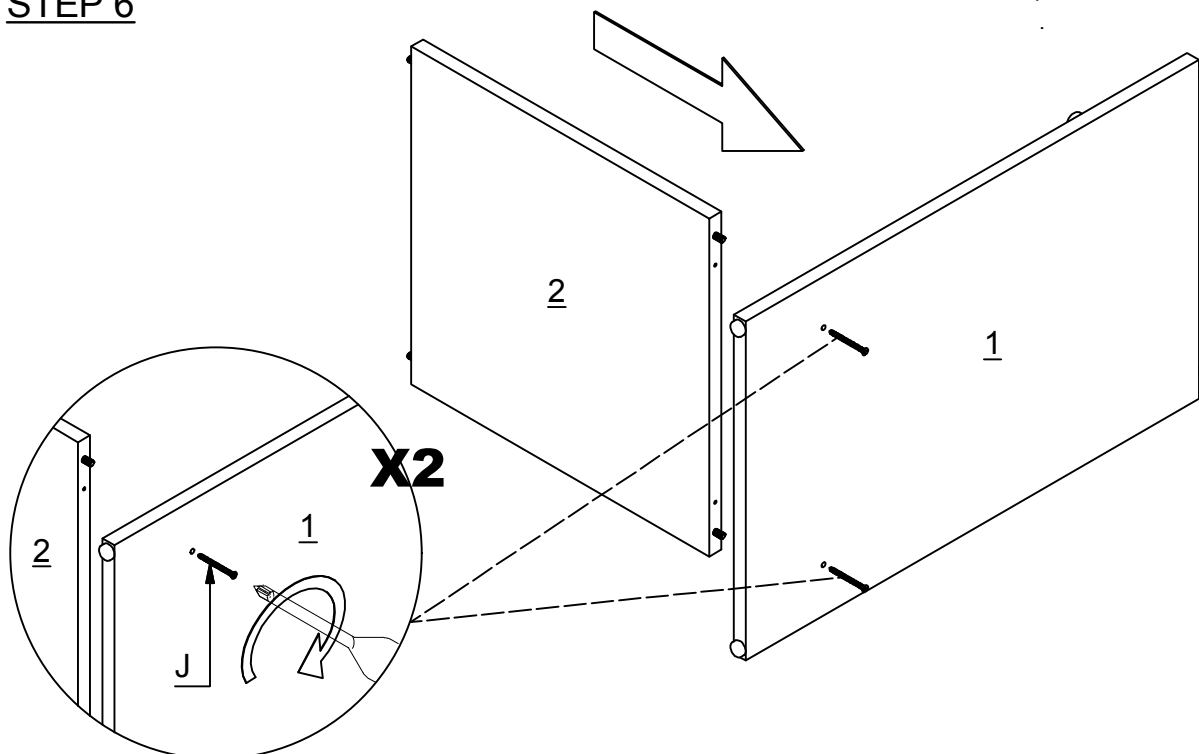
MODEL NAME:

BELLINGHAM 1 DRAWER BEDSIDE CABINET

STEP 5



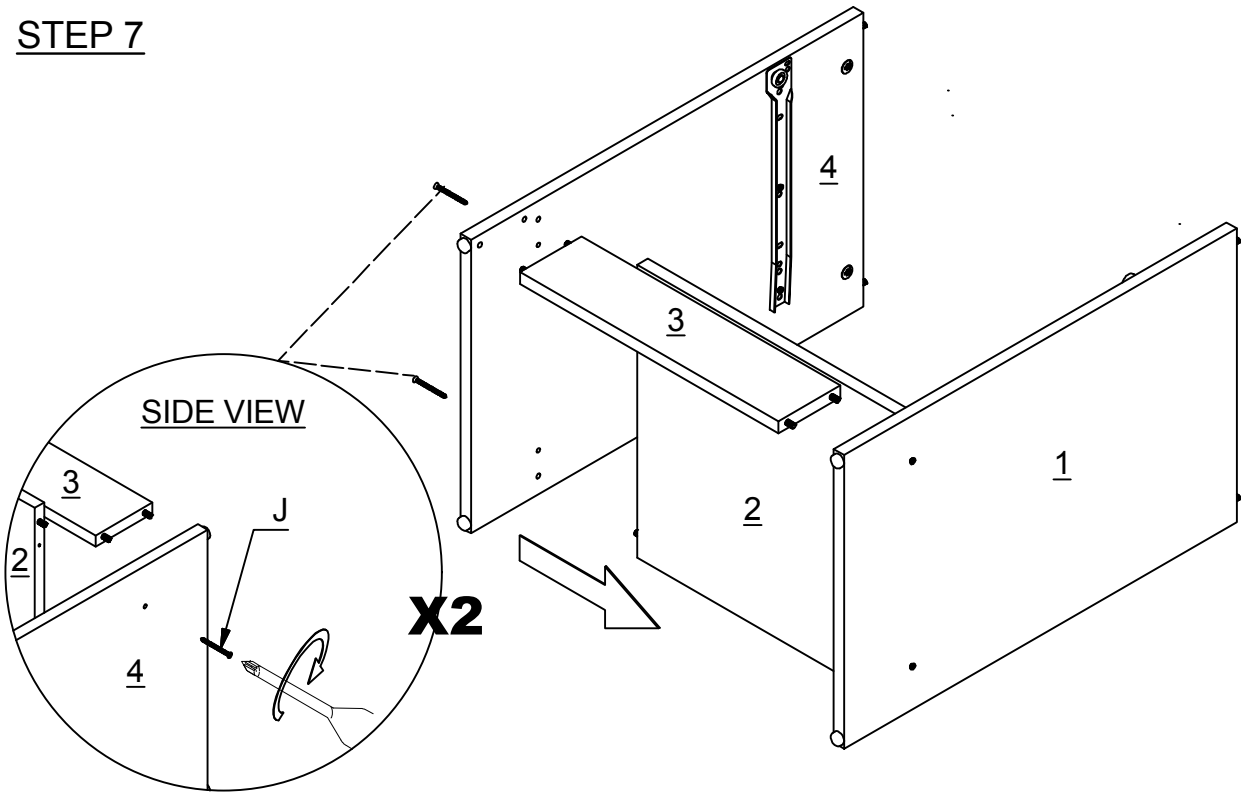
STEP 6



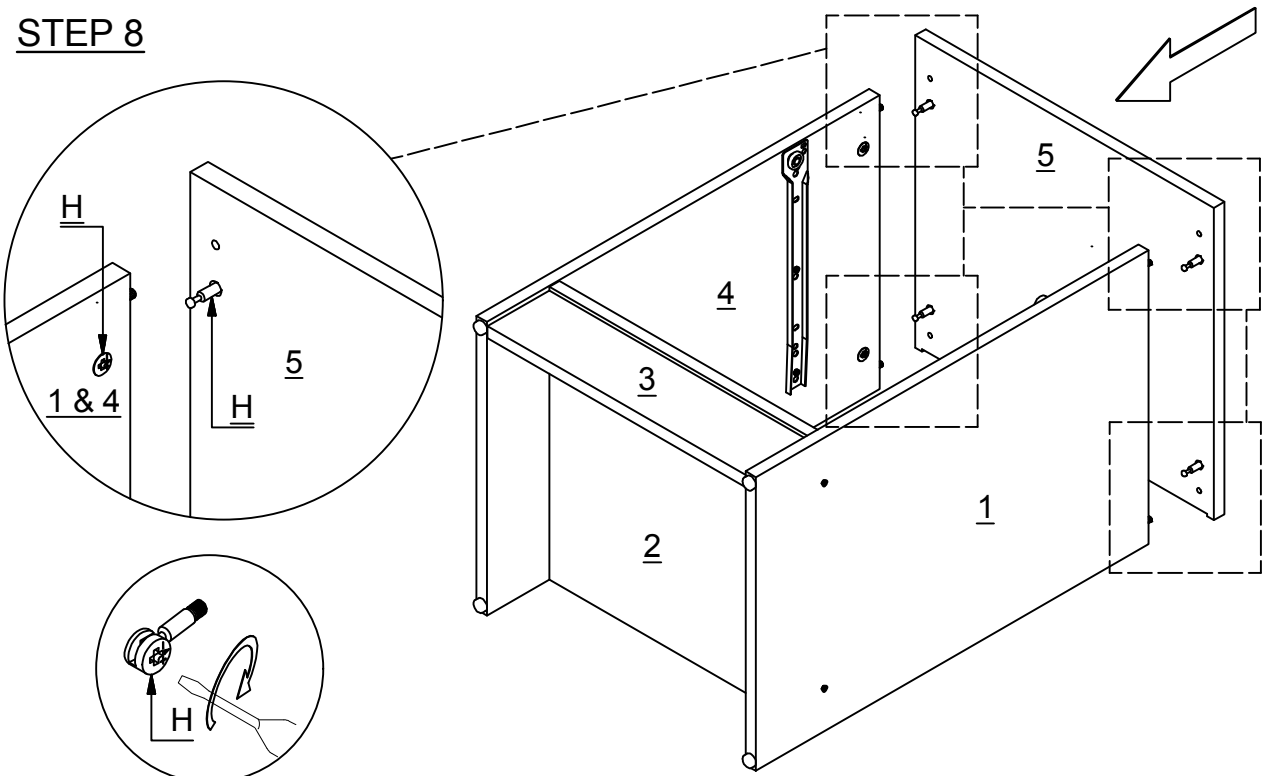
MODEL NAME:

BELLINGHAM 1 DRAWER BEDSIDE CABINET

STEP 7



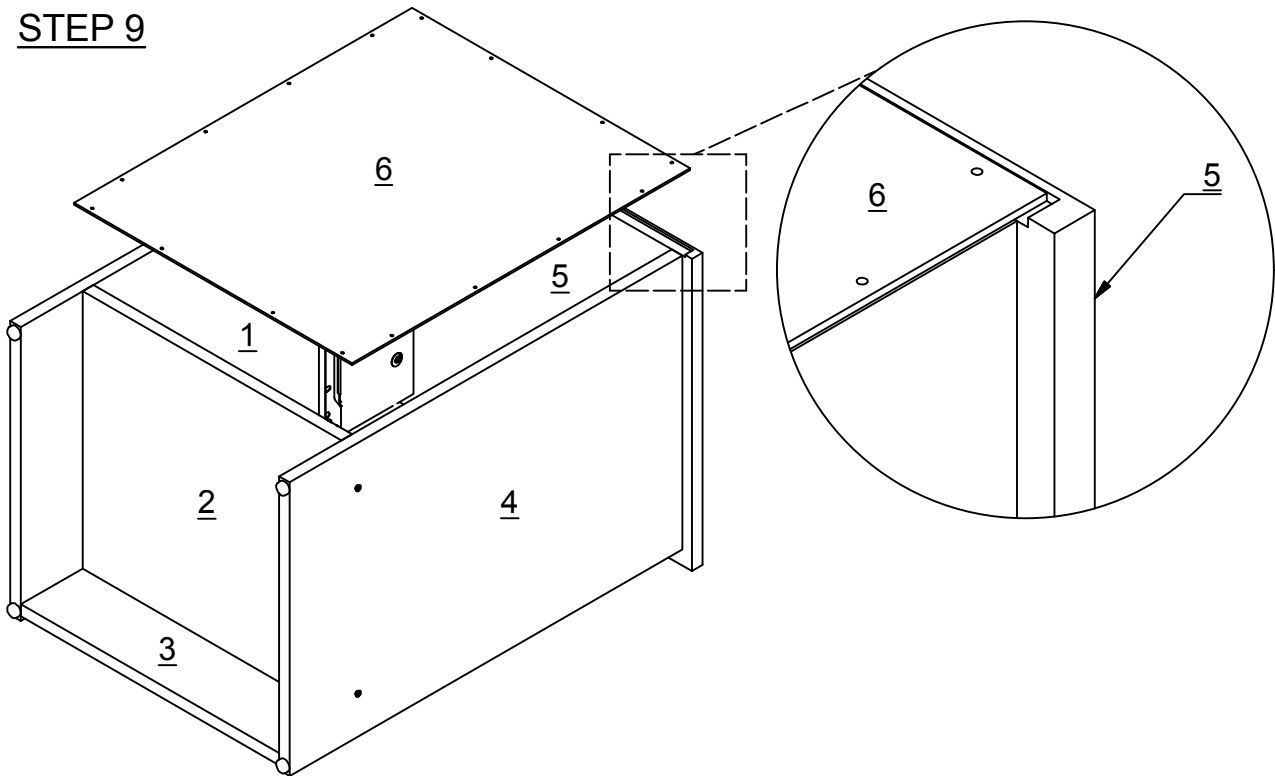
STEP 8



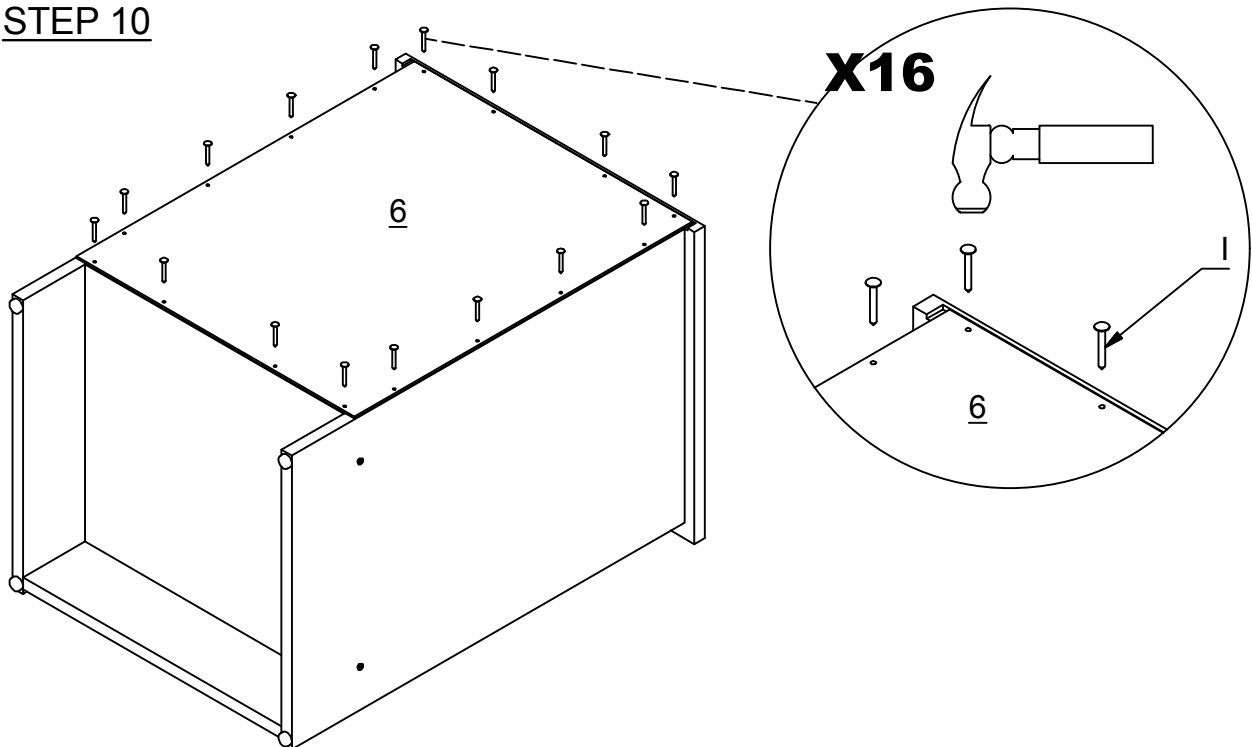
MODEL NAME:

BELLINGHAM 1 DRAWER BEDSIDE CABINET

STEP 9



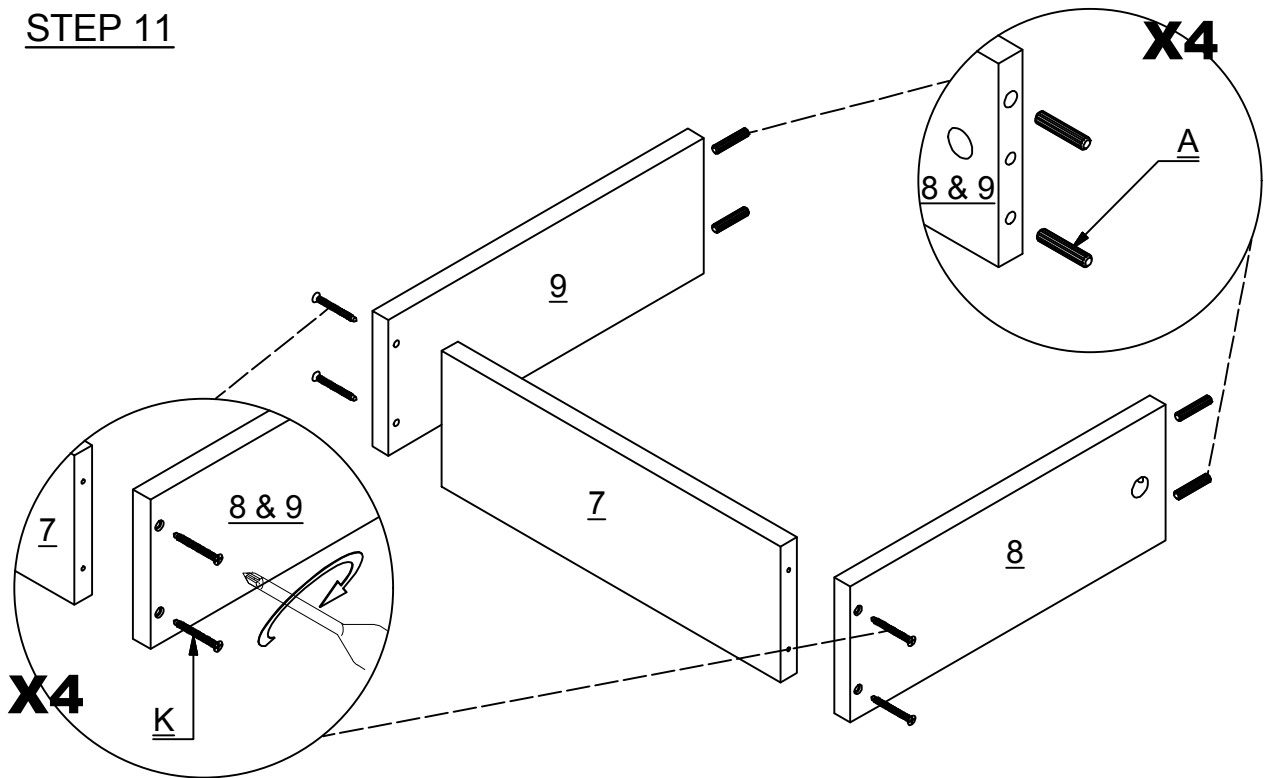
STEP 10



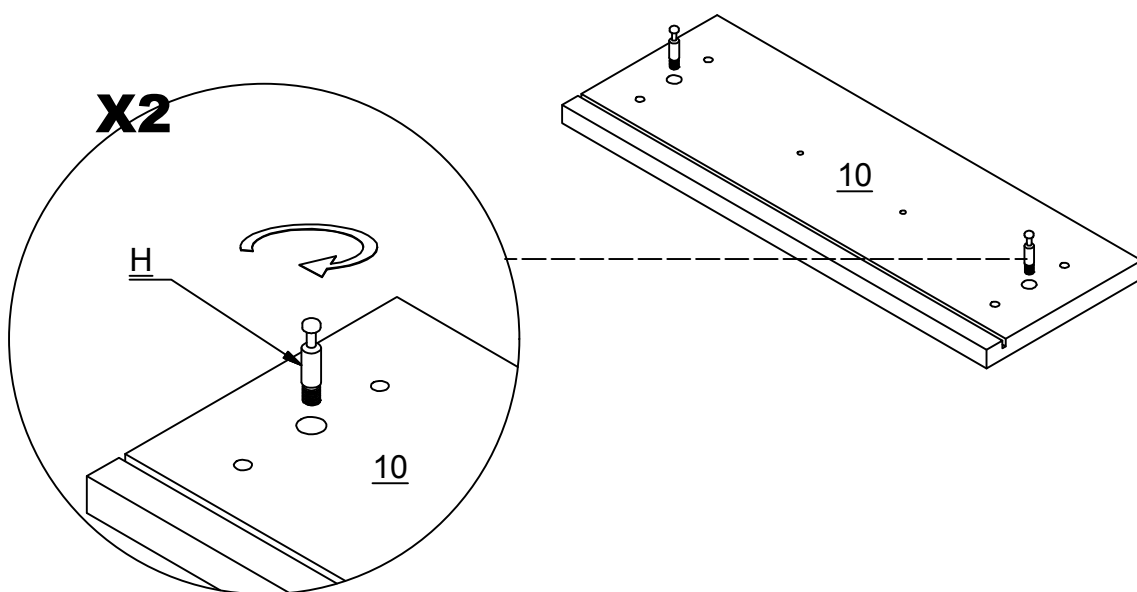
MODEL NAME:

BELLINGHAM 1 DRAWER BEDSIDE CABINET

STEP 11



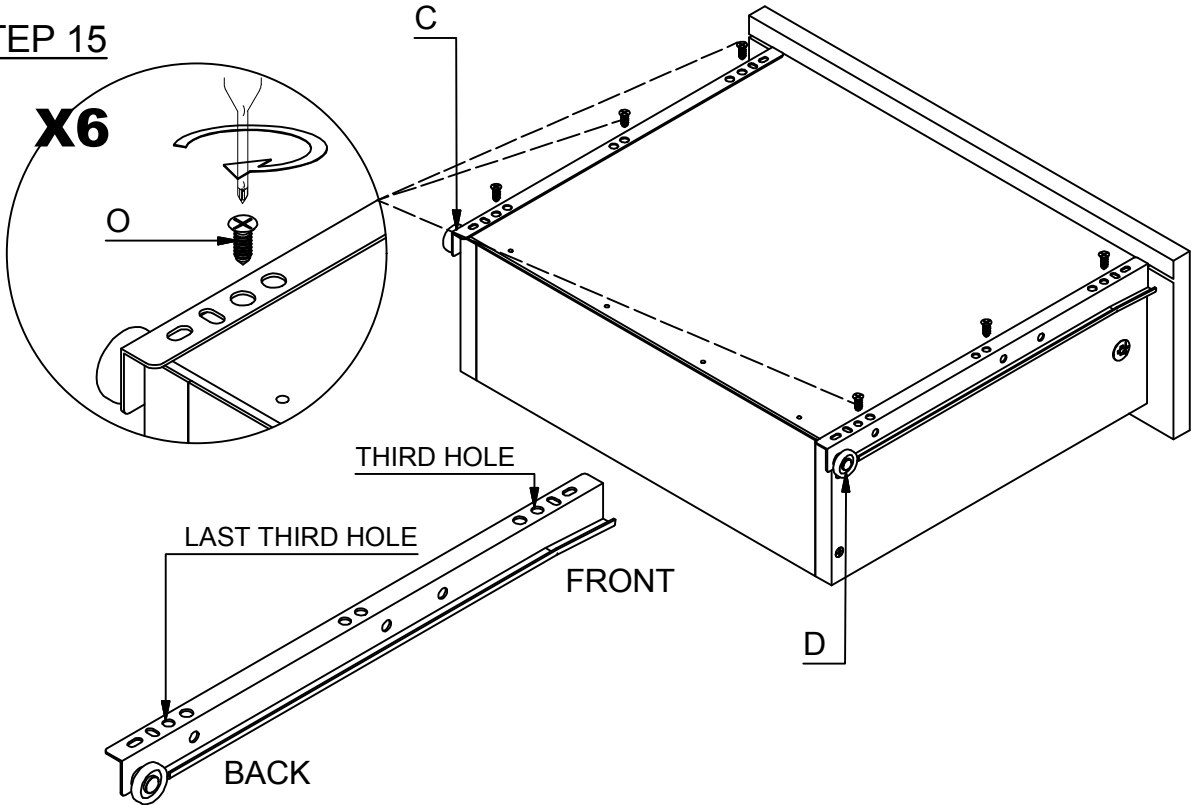
STEP 12



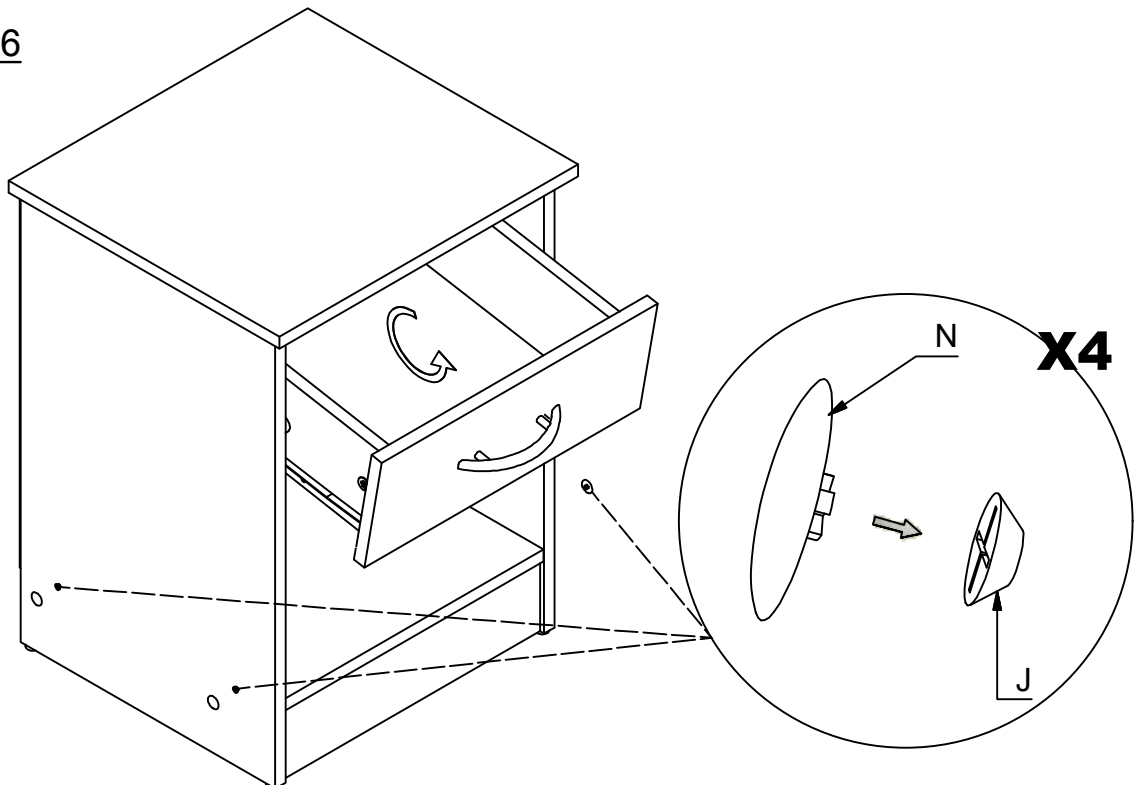
MODEL NAME:

BELLINGHAM 1 DRAWER BEDSIDE CABINET

STEP 15



STEP 16



MODEL NAME:

BELLINGHAM 1 DRAWER BEDSIDE CABINET

STEP 17

