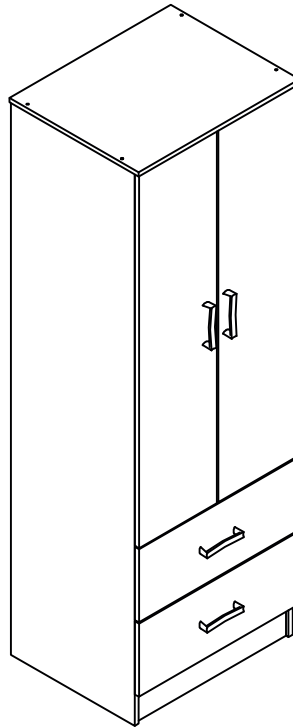


POLAR 2 DOOR 2 DRAWER WARDROBE ASSEMBLY INSTRUCTIONS



FOR DOMESTIC USE ONLY
IMPORTANT

PLEASE READ BEFORE YOU CONTINUE FURTHER

THE PRODUCT YOU HAVE PURCHASED WILL GIVE YOU MANY YEARS OF SERVICE IF YOU FOLLOW THE GUIDELINES FOR ITS SAFE ASSEMBLY AND PERIODIC MAINTENANCE AND CLEANING
ASSEMBLE ON A SOFT CLEAN SURFACE

DO NOT USE ANY TOOLS OTHER THAN THOSE SHOWN

ANY SPANNERS OR ALLEN KEYS REQUIRED ARE INCLUDED WITH THE FITTING KIT.

DO NOT FOR ANY REASON USE A POWER TOOL TO ASSEMBLE THIS PRODUCT. ITS USE WILL INVALIDATE ANY CLAIM YOU MAY HAVE AND COULD MAKE THIS PRODUCT UNSAFE.

DEPENDING ON THE AMOUNT OF USE THIS PRODUCT RECEIVES, IT MAY BE NECESSARY TO TIGHTEN UP THE FIXINGS FROM TIME TO TIME. THIS IS COMPLETELY NORMAL FOR ANY FLAT PACK FURNITURE. DO NOT OVERTIGHTEN FIXINGS.

FOR CLEANING, YOU MAY USE A DAMP CLOTH (NOT WET). DO NOT USE POLISH, DETERGENT OR CHEMICAL CLEANERS.

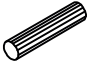









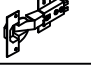



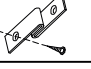
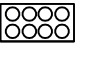
THIS SURFACE OF THIS ITEM IS NOT HEAT RESISTANT. ALWAYS USE A PLACE MAT UNDER HOT OR COLD ITEMS TO PREVENT MARKING.

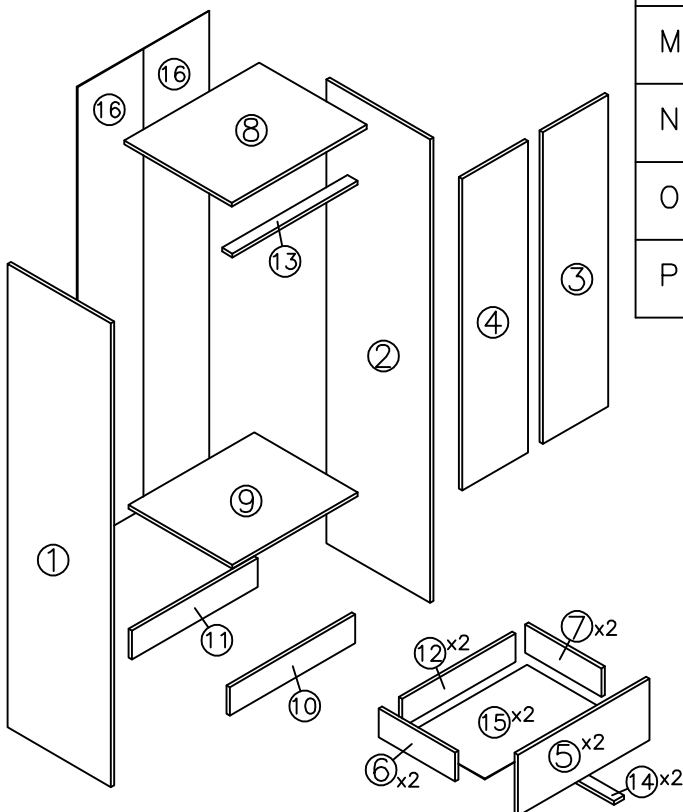
PART LIST

Carton 01 of 02		
No.	Part Name	Qty
1	Left Side Panel	x1
2	Right Side Panel	x1
3	Right Door Panel	x1
4	Left Door Panel	x1
15	Drawer Base	x2
16	Back Panel	x2

Carton 02 of 02		
No.	Part Name	Qty
5	Drawer Front	x2
6	Left Drawer Side	x2
7	Right Drawer Side	x2
8	Top Panel	x1
9	Shelf	x1
10	Crossbar Front	x1
11	Crossbar Back	x1
12	Drawer Back	x2
13	Support Panel	x1
14	Drawer Support	x2

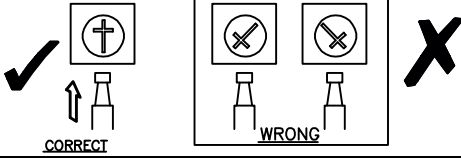
HARDWARE LIST

Carton 01 of 02			
NO.	Part Name		Qty
A	Wooden Dowel <small>(6x25mm)</small>		x24
B	Cam Bolt <small>(8032T)</small>		x6
C	Cam Nut <small>(1512)</small>		x6
D	45mm Screw <small>(4x45mm)</small>		x12
E	38mm Screw <small>(4x38mm)</small>		x10
F	30mm Screw <small>(4x30mm)</small>		x3
G	25mm Screw <small>(4x25mm)</small>		x8
H	14 mm Screw <small>(3.5x14mm)</small>		x32
I	Handle (128mm) <small>(AC71)</small>		x4
J	14" Drawer Slide <small>(0.9mm) W (vkt)</small>		2 Set
K	15mm Hinges <small>(MO2)</small>		x4
L	Hanging Rail (569mm)		x1
M	Plastic Foot		x6
N	6/8" Nail		x68
O	Wall Fixation <small>(4x20mm=1pc)</small>		x1
P	Screw Covers <small>(Sticker 12mm)</small>		x8

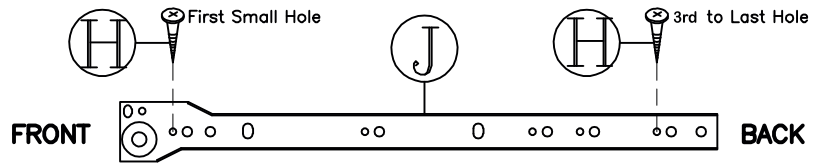


When Fitting Cams

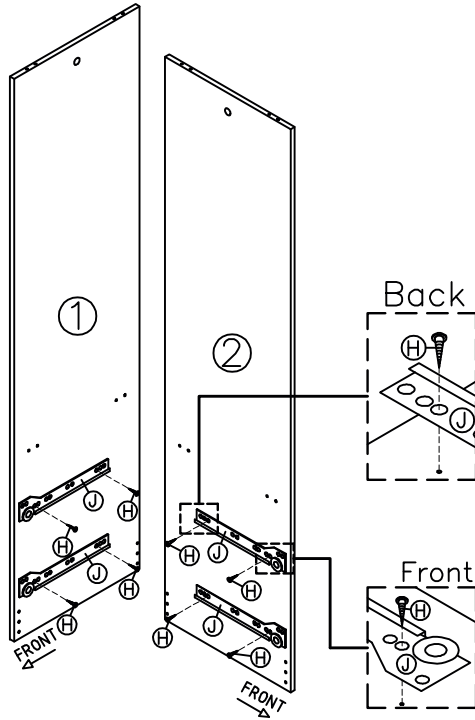
Ensure starting position correct before you insert connecting bolt turn clockwise until secure.



To Assemble the Drawer Slide, Please Follow Step as Below

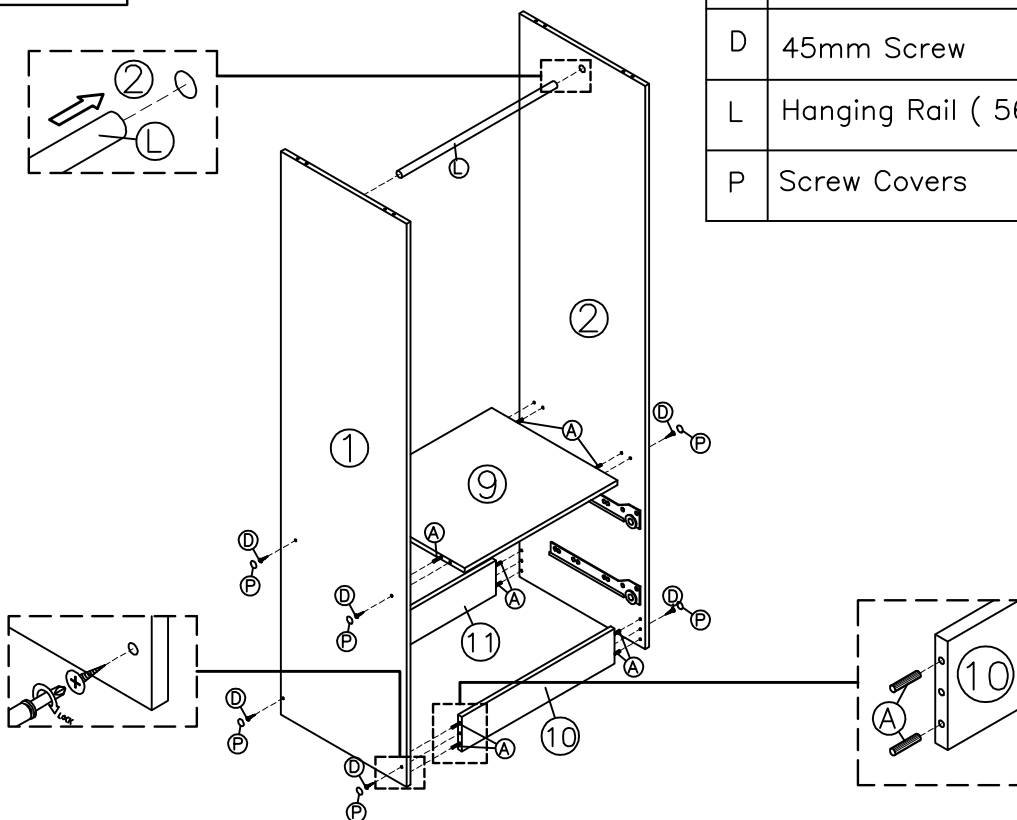


STEP 1



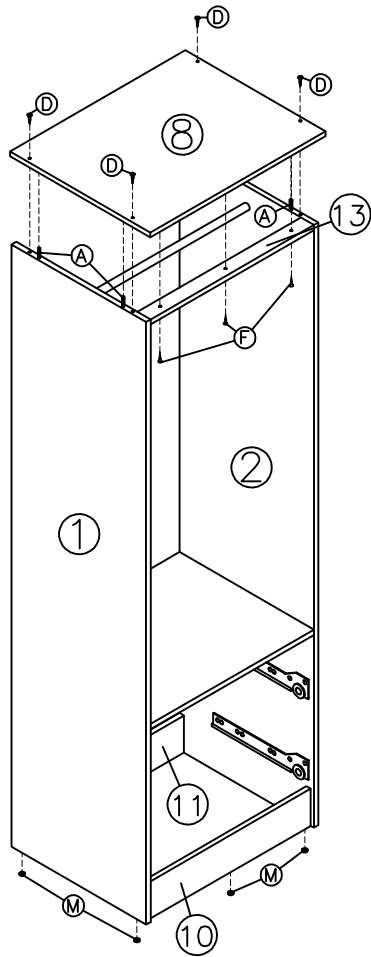
H	14mm Screw		x8
J	14" Drawer Slide		2 Set





STEP 2



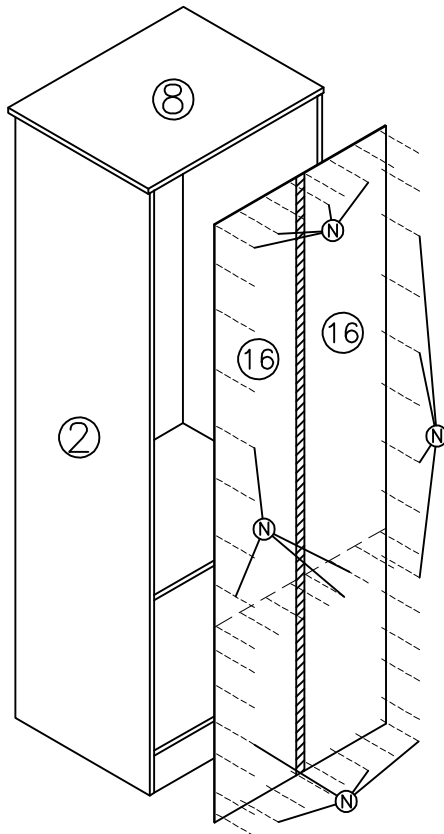
A	Wooden Dowel		x12
D	45mm Screw		x8
L	Hanging Rail (569mm)		x1
P	Screw Covers		x8


STEP 3






A	Wooden Dowel		x4
D	45mm Screw		x4
F	30mm Screw		x3
M	Plastic Foot		x6

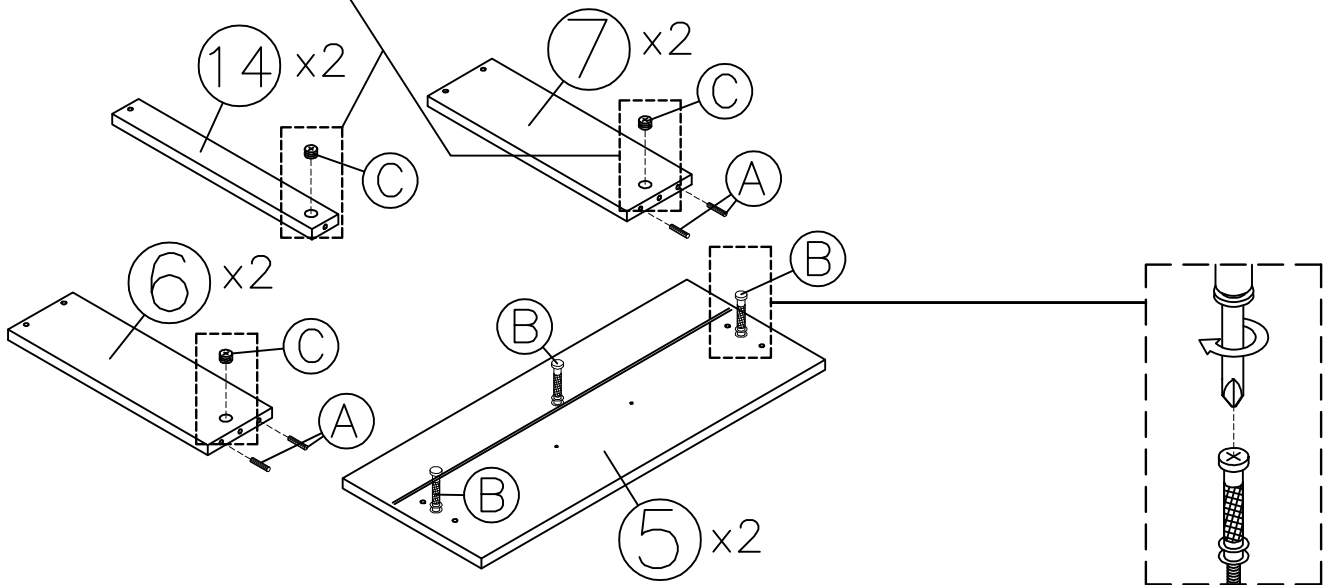
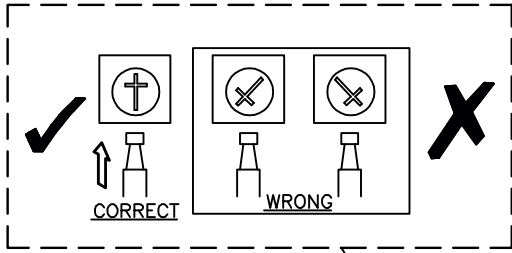
STEP 4



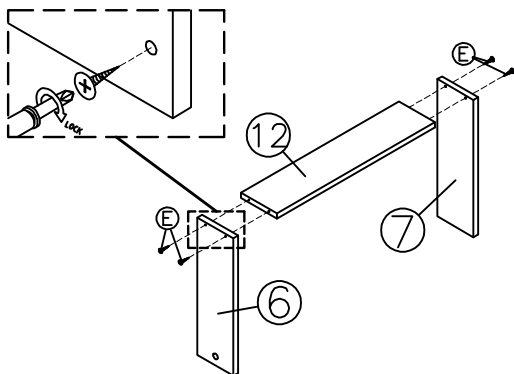
N	6/8" Nail		x46
---	-----------	---	-----

STEP 5

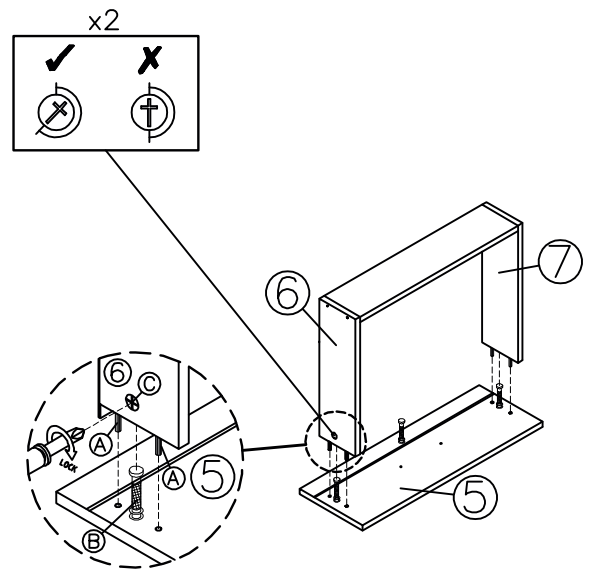
A	Wooden Dowel		x8
B	Cam Bolt		x6
C	Cam Nut		x6




STEP 6

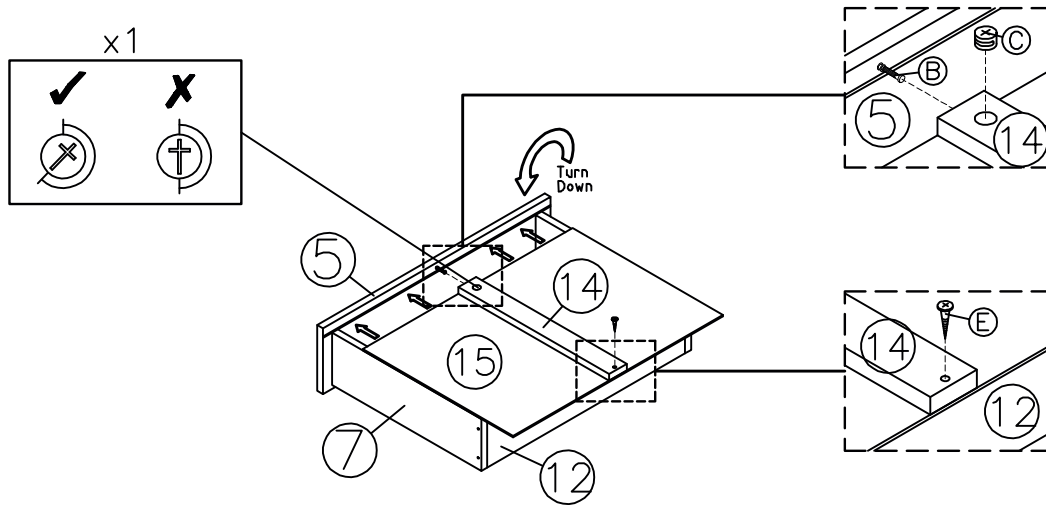



STEP 7



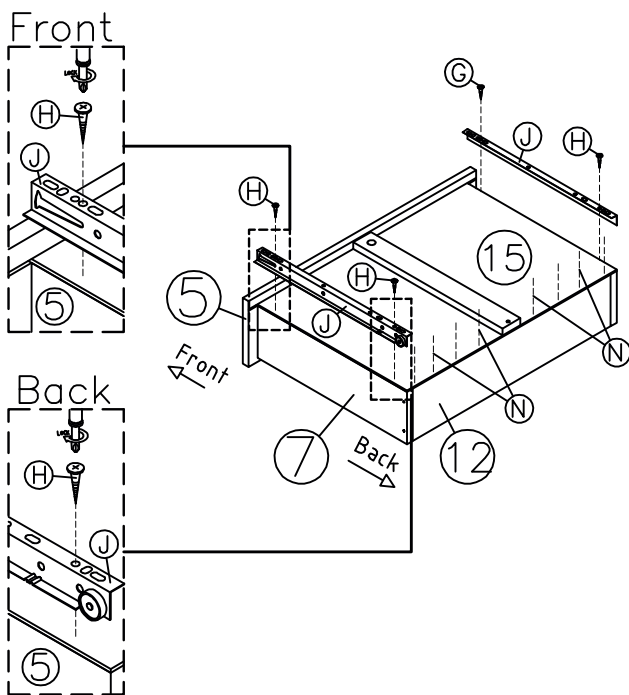
E	38mm Screw		x8
---	------------	---	----

STEP 8

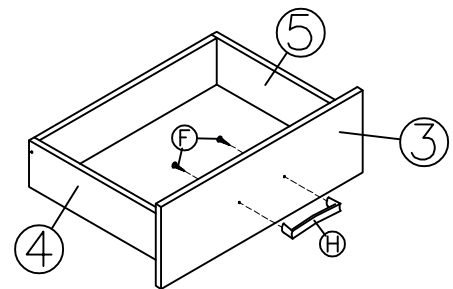





E	38mm Screw		x2
---	------------	---	----



STEP 9



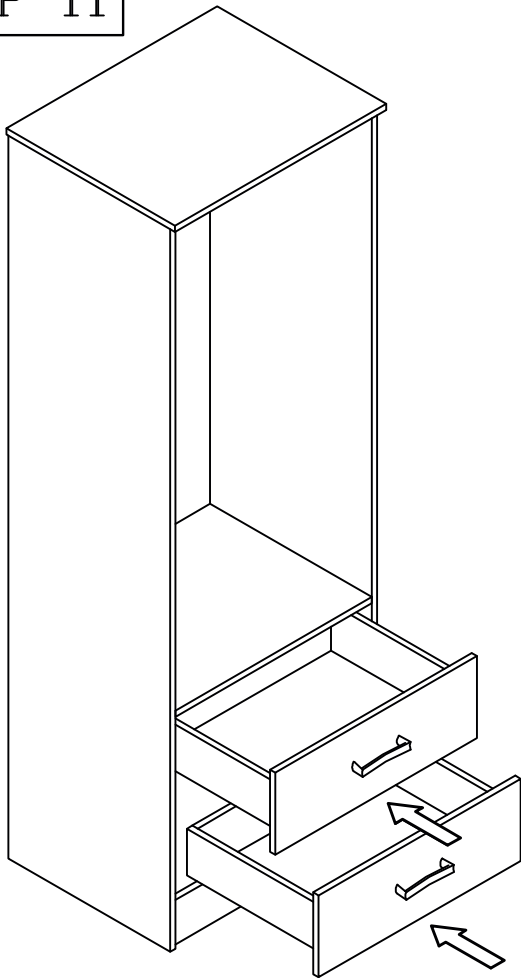
STEP 10



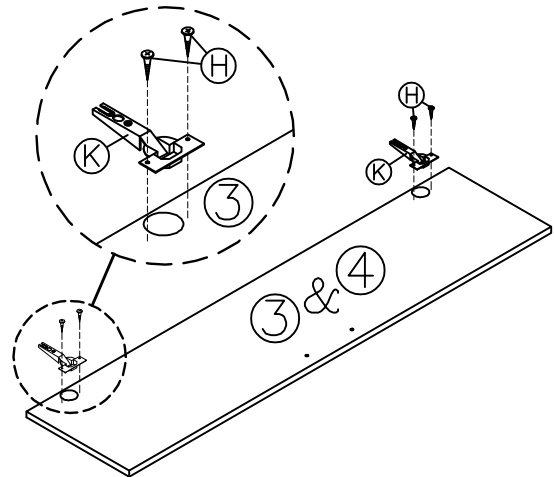
H	14 mm Screw		x8
J	14" Drawer Slide		2 Set
N	Nail		x22



G	25mm Screw		x4
I	Handle (128mm)		x2

STEP 11

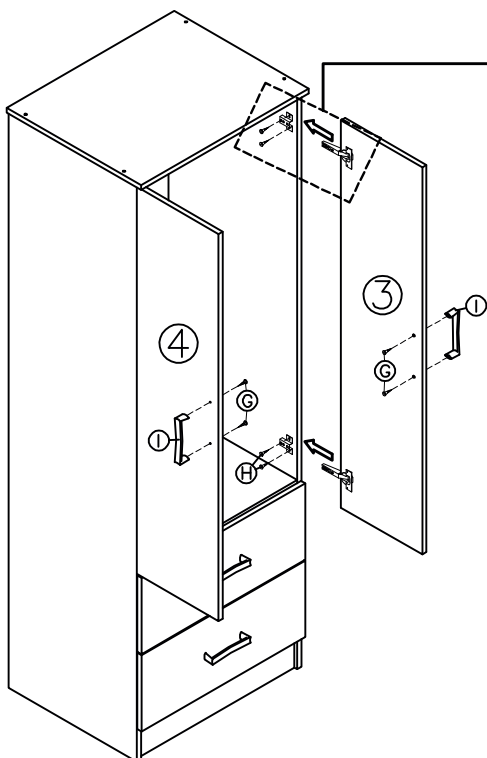


STEP 12

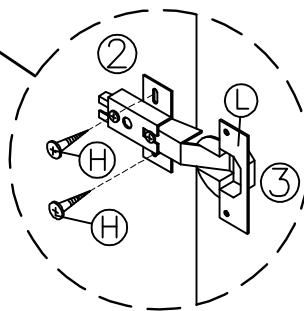


H	14 mm Screw		x8
K	15mm Hinges		x4

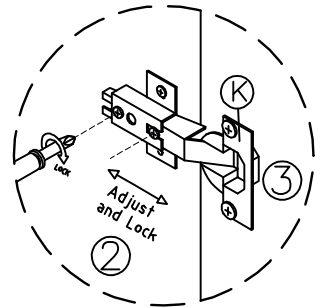
STEP 13

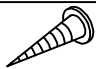




STEP 1



STEP 2



G	25mm Screw		x4
H	14 mm Screw		x8
I	Handle (128mm)		x2



STEP 14

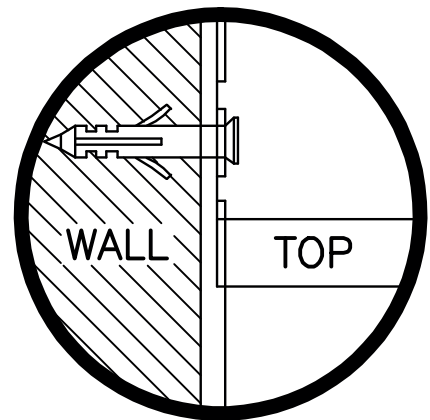
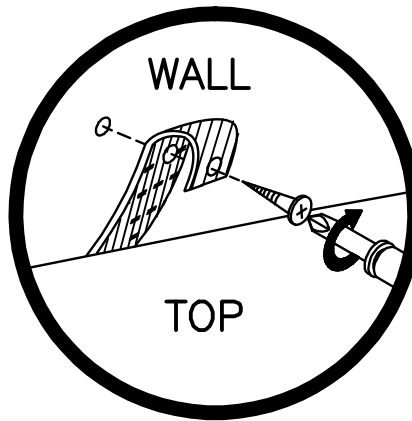
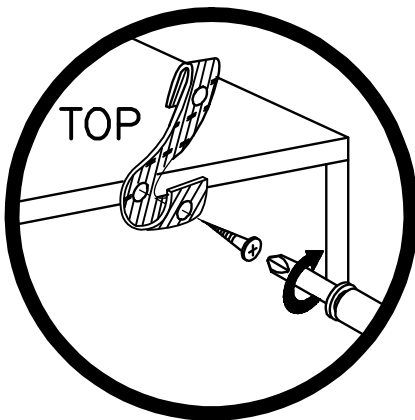
WARNING

Serious or fatal injuries can occur from furniture tipping over. To prevent the furniture from tipping over we recommend that it is permanently fixed to the wall.

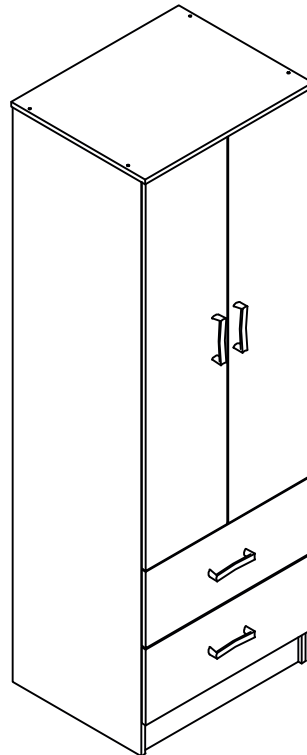
Wall fixings are not supplied with this product as different wall materials require different types of fixing devices.
Please make sure you use fixings suitable for the walls in your home.

HARDWARE LIST

-  Anti-Tip Strap – 1pc
-  Screw 20 mm – 1pc

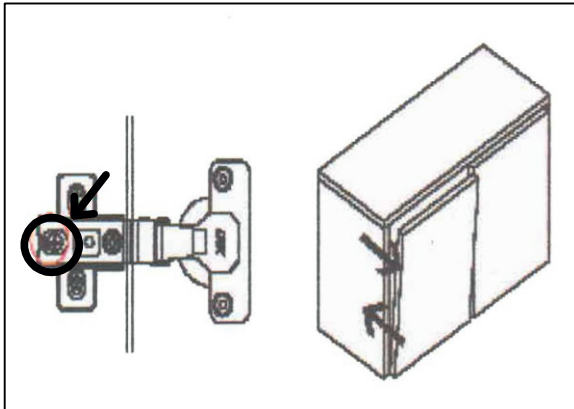


STEP 15



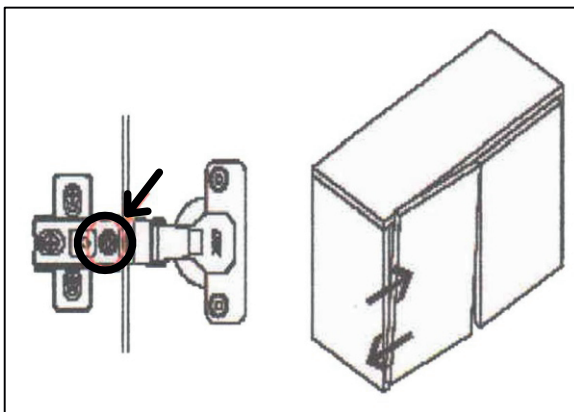
FINISH

Adjusting Possibilities



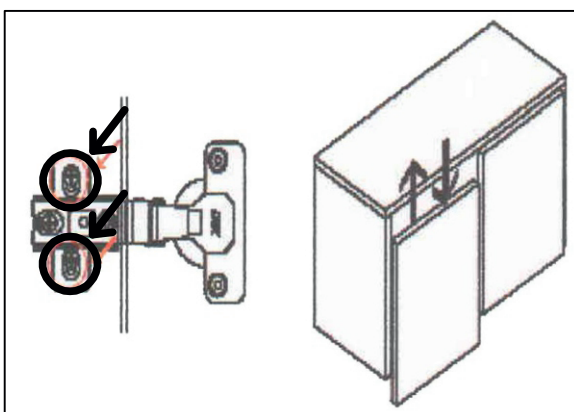
Depth Adjustment

After loosening the hinge arm mounting screw



Lateral Adjustment

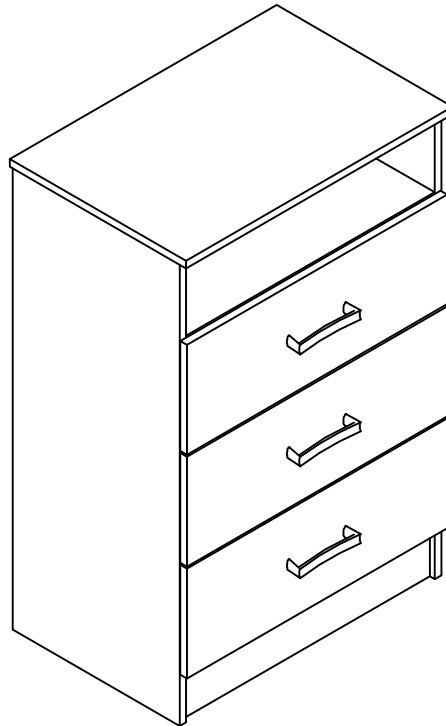
By adjusting screw



Vertical Adjustment

Via mounting plate
(Via slots or, if in
two pieces, via screw)

POLAR 3 DRAWER CHEST ASSEMBLY INSTRUCTIONS



FOR DOMESTIC USE ONLY
IMPORTANT

PLEASE READ BEFORE YOU CONTINUE FURTHER

THE PRODUCT YOU HAVE PURCHASED WILL GIVE YOU MANY YEARS OF SERVICE IF YOU FOLLOW THE GUIDELINES FOR ITS SAFE ASSEMBLY AND PERIODIC MAINTENANCE AND CLEANING
ASSEMBLE ON A SOFT CLEAN SURFACE

DO NOT USE ANY TOOLS OTHER THAN THOSE SHOWN

ANY SPANNERS OR ALLEN KEYS REQUIRED ARE INCLUDED WITH THE FITTING KIT.

DO NOT FOR ANY REASON USE A POWER TOOL TO ASSEMBLE THIS PRODUCT. ITS USE WILL INVALIDATE ANY CLAIM YOU MAY HAVE AND COULD MAKE THIS PRODUCT UNSAFE.

DEPENDING ON THE AMOUNT OF USE THIS PRODUCT RECEIVES, IT MAY BE NECESSARY TO TIGHTEN UP THE FIXINGS FROM TIME TO TIME. THIS IS COMPLETELY NORMAL FOR ANY FLAT PACK FURNITURE. DO NOT OVERTIGHTEN FIXINGS.

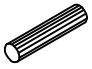








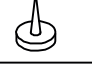


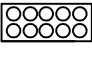
FOR CLEANING, YOU MAY USE A DAMP CLOTH (NOT WET). DO NOT USE POLISH, DETERGENT OR CHEMICAL CLEANERS.

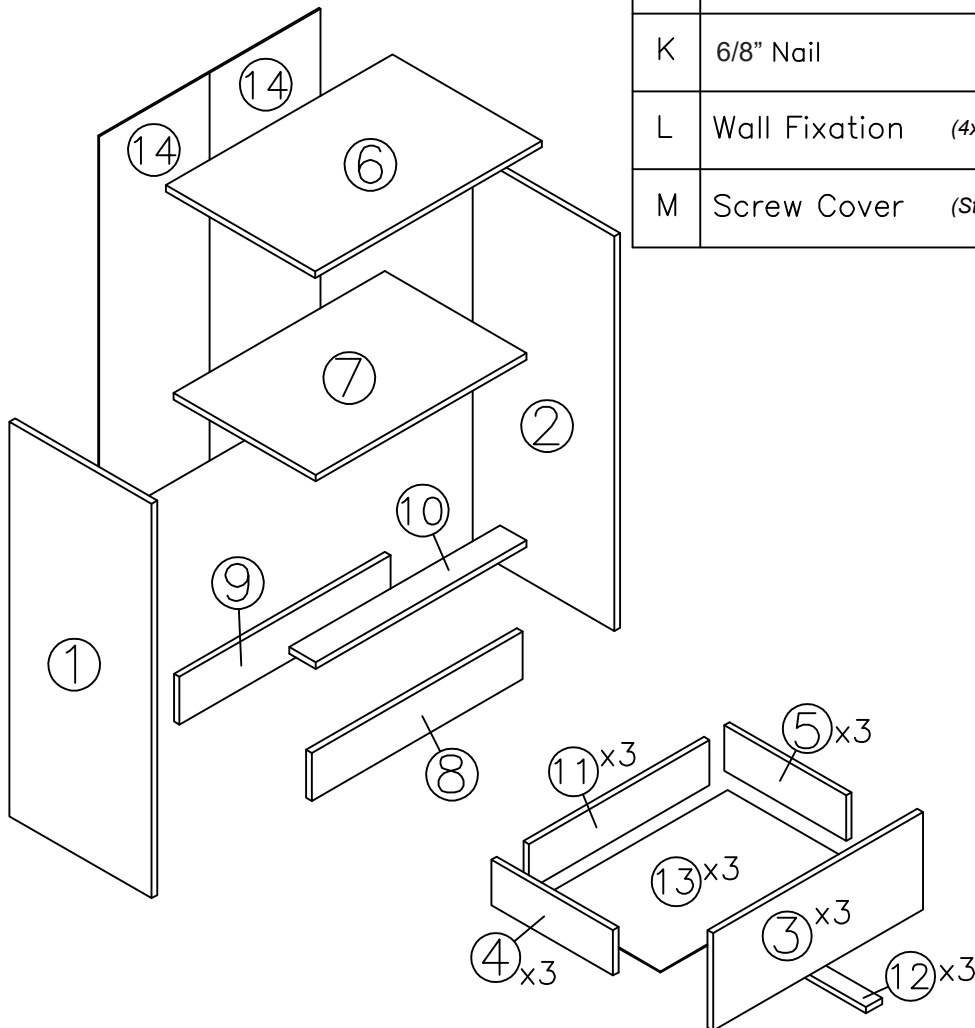
THIS SURFACE OF THIS ITEM IS NOT HEAT RESISTANT. ALWAYS USE A PLACE MAT UNDER HOT OR COLD ITEMS TO PREVENT MARKING.

PART LIST

No.	Part Name	Qty
1	Left Side Panel	x1
2	Right Side Panel	x1
3	Drawer Front	x3
4	Left Drawer Side	x3
5	Right Drawer Side	x3
6	Top Panel	x1
7	Shelf	x1
8	Crossbar Front	x1
9	Crossbar Back	x1
10	Support	x1
11	Drawer Back	x3
12	Drawer Support	x3
13	Drawer Base	x3
14	Back Panel	x2

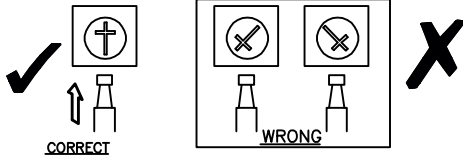
HARDWARE LIST

NO.	Part Name		Qty
A	Wooden Dowel (6x25mm)		x26
B	Cam Bolt (8032T)		x13
C	Cam Nut (1512)		x13
D	45mm Screw (4x45mm)		x10
E	38mm Screw (4x38mm)		x15
F	25mm Screw (4x25mm)		x6
G	14 mm Screw (3.5x14mm)		x24
H	Handle (128mm) (AC71)		x3
I	14" Drawer Slide (0.9mm) W (vkt)		3 Set
J	Plastic Foot		x6
K	6/8" Nail		x44
L	Wall Fixation (4x20mm=1pc)		x1
M	Screw Cover (Sticker 12mm)		x10

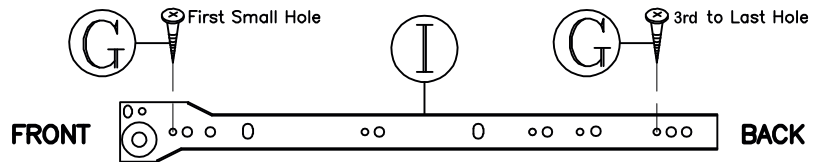


When Fitting Cams

Ensure starting position correct before you insert connecting bolt turn clockwise until secure.

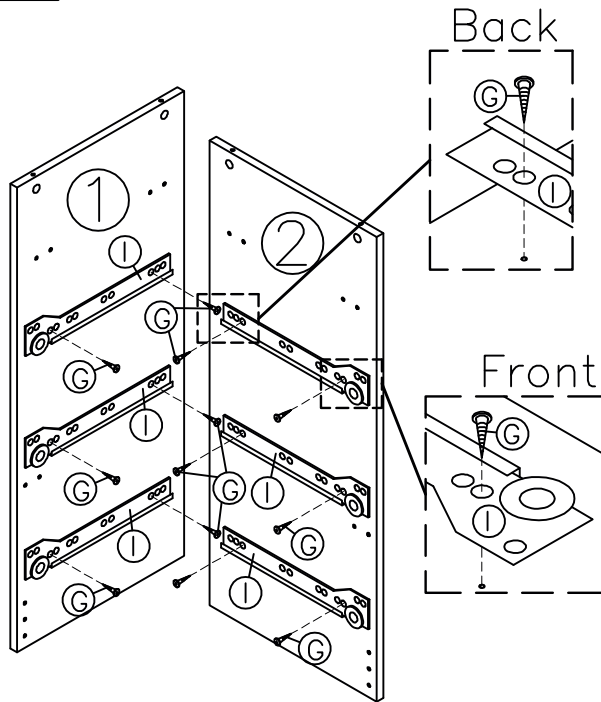


To Assemble the Drawer Slide. Please Follow Step as Below



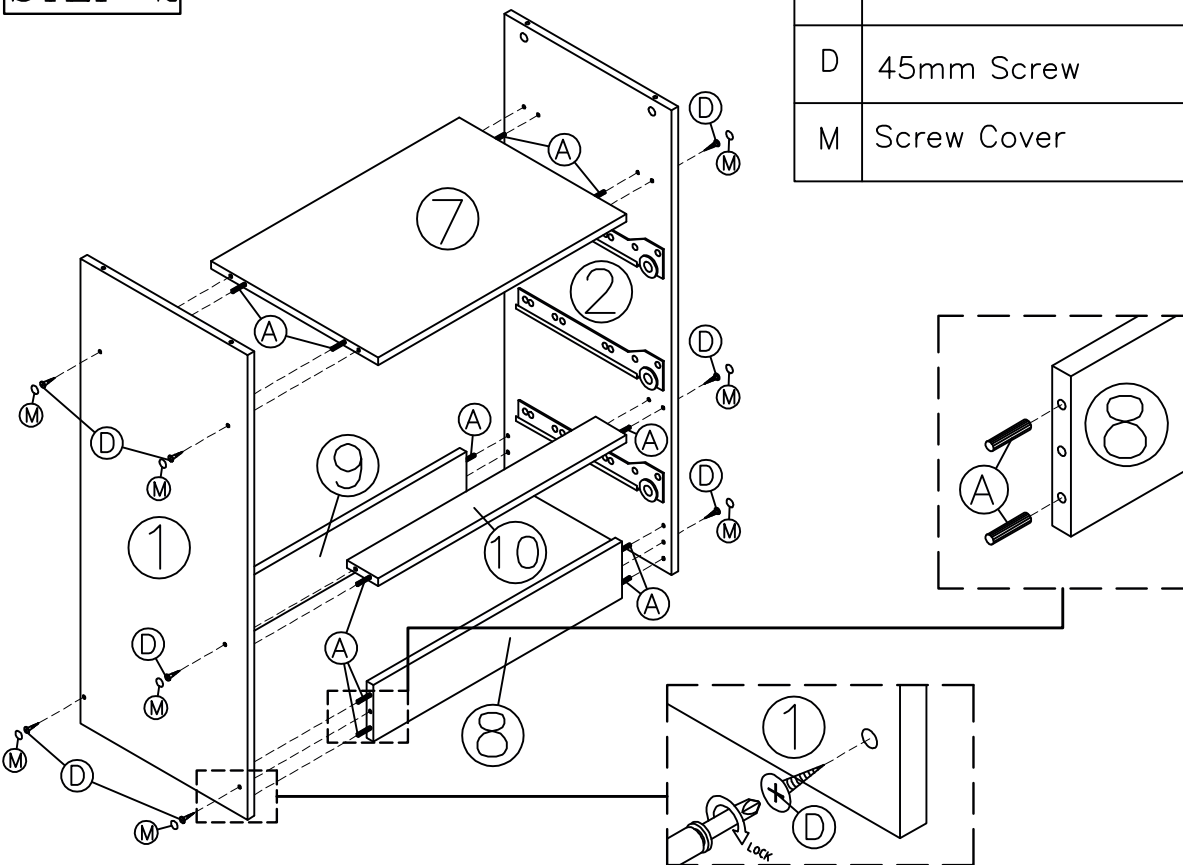
STEP 1

G	14 mm Screw		x12
I	14" Drawer Slide		3 Set

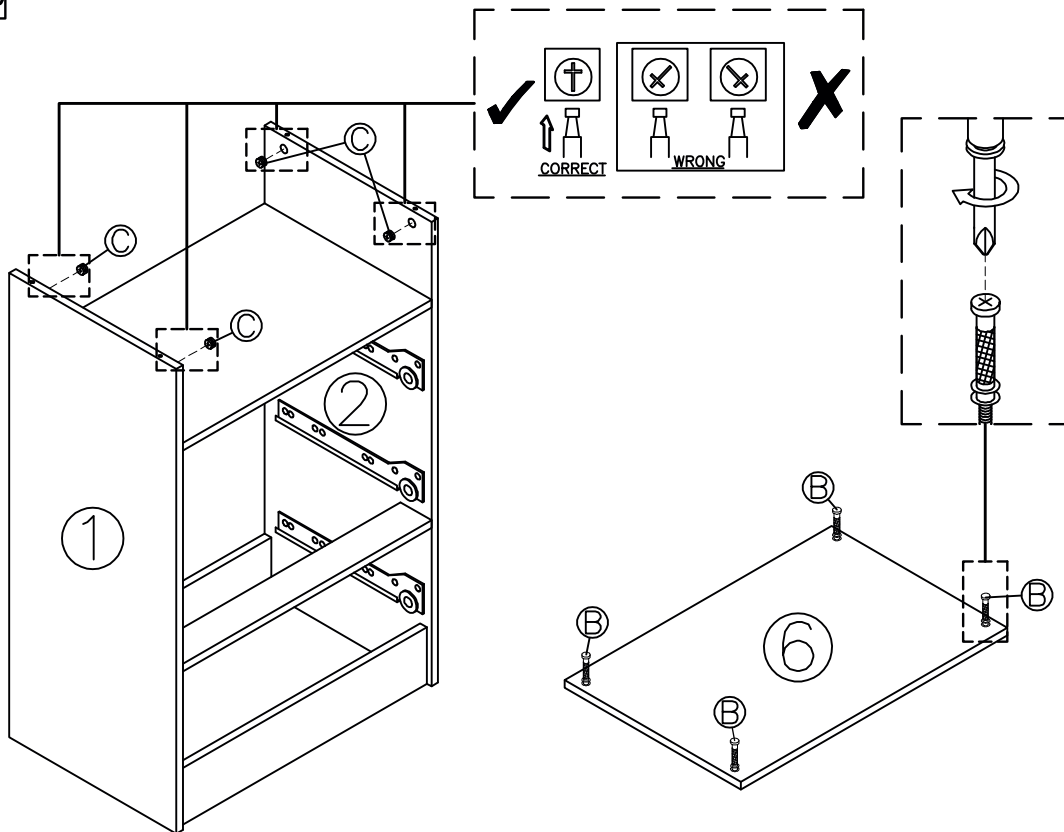


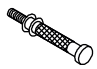

STEP 2

A	Wooden Dowel		x14
D	45mm Screw		x10
M	Screw Cover		x10

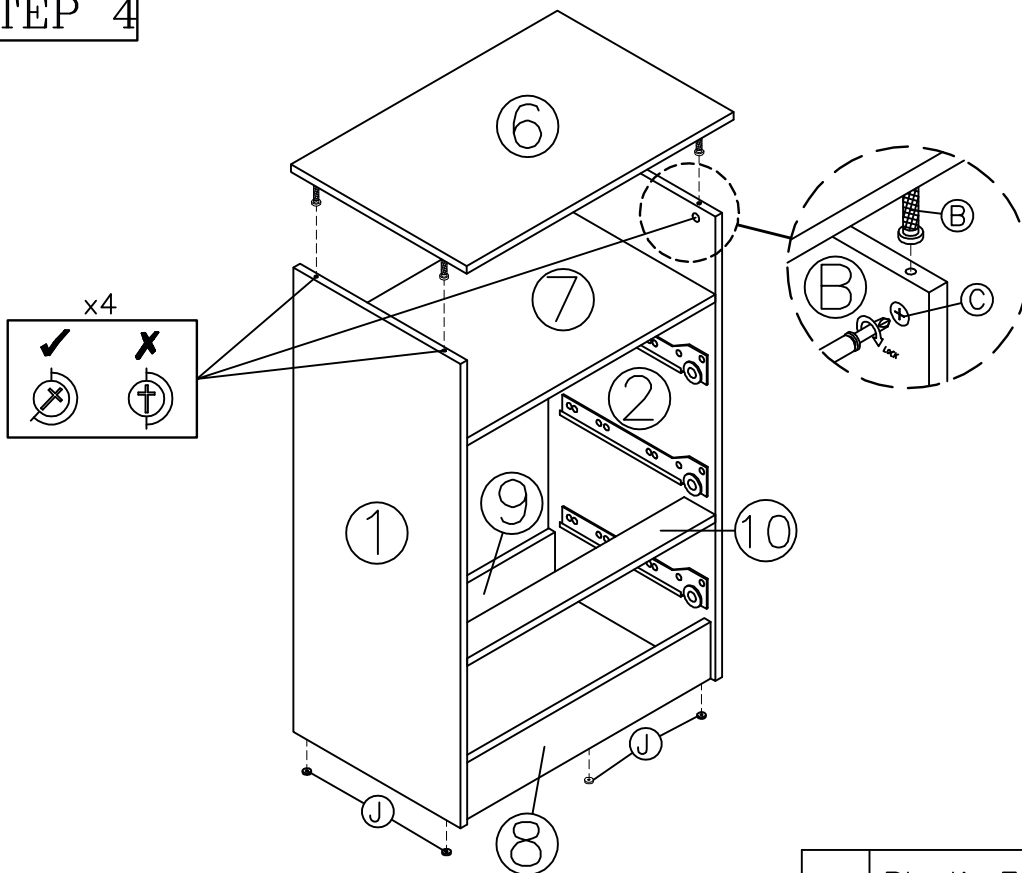



STEP 3



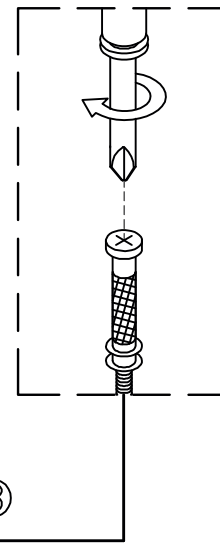
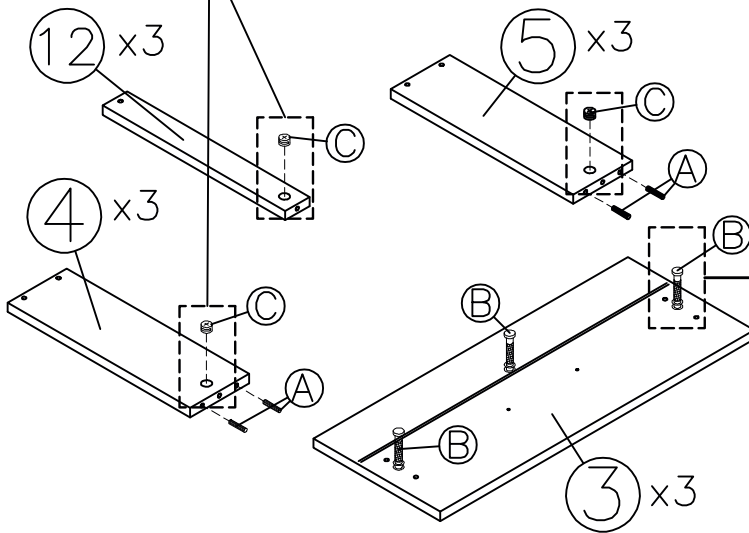
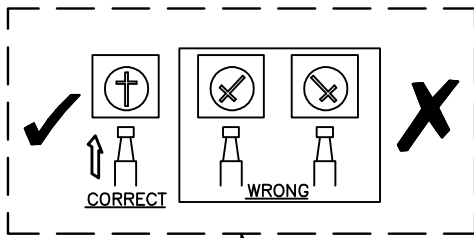
B	Cam Bolt		x4
C	Cam Nut		x4

STEP 4



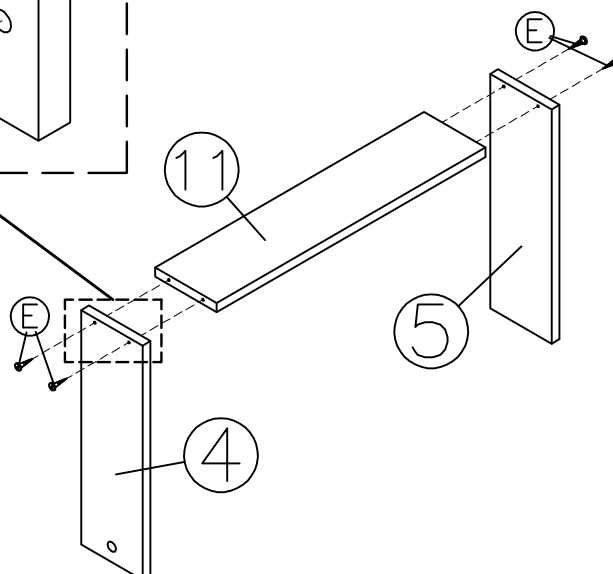
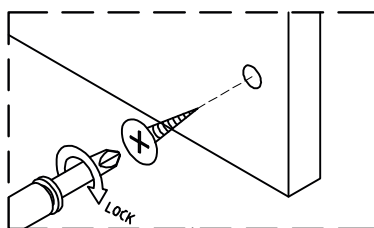
J	Plastic Foot		x6
---	--------------	---	----

STEP 5



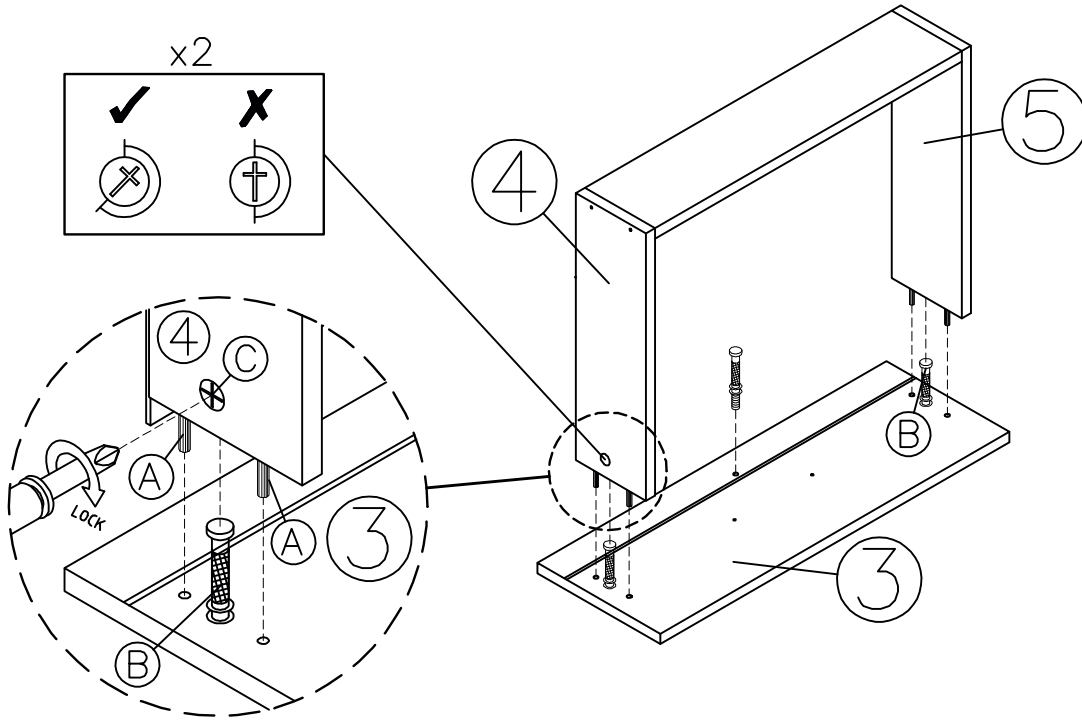
A	Wooden Dowel		x12
B	Cam Bolt		x9
C	Cam Nut		x9

STEP 6




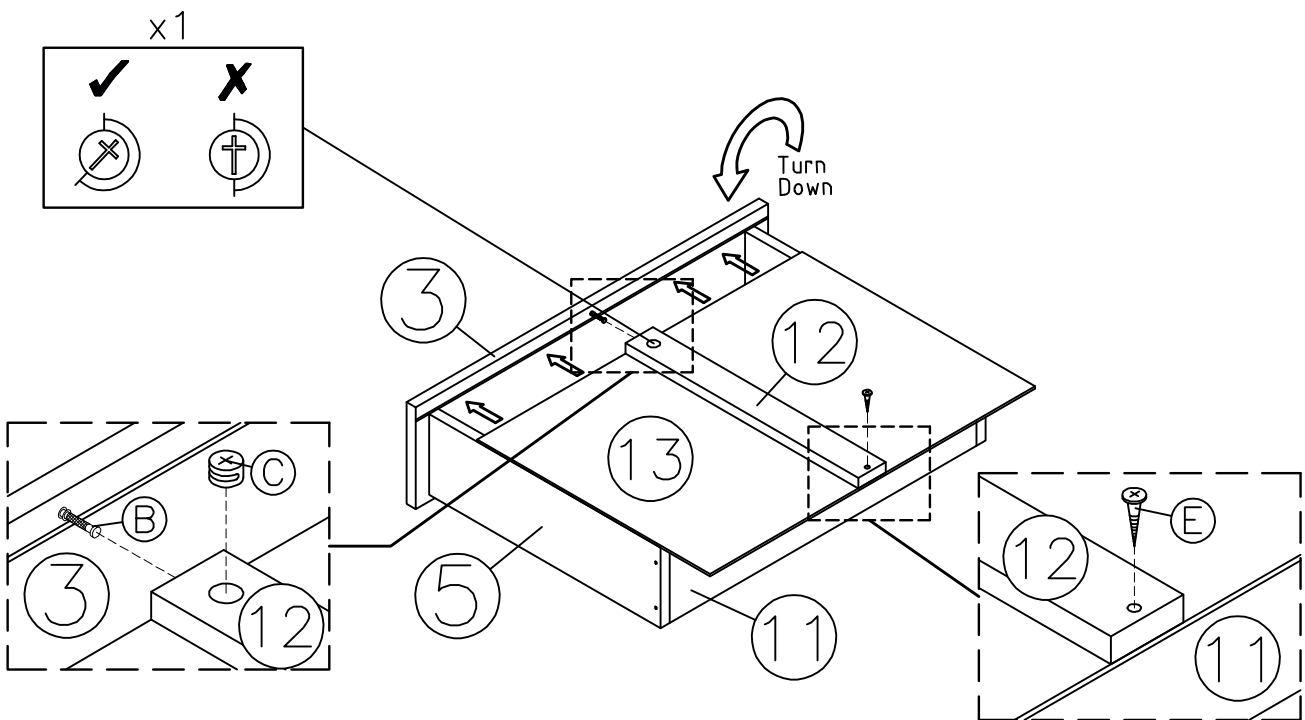
E	38mm Screw		x12
---	------------	--	-----

STEP 7






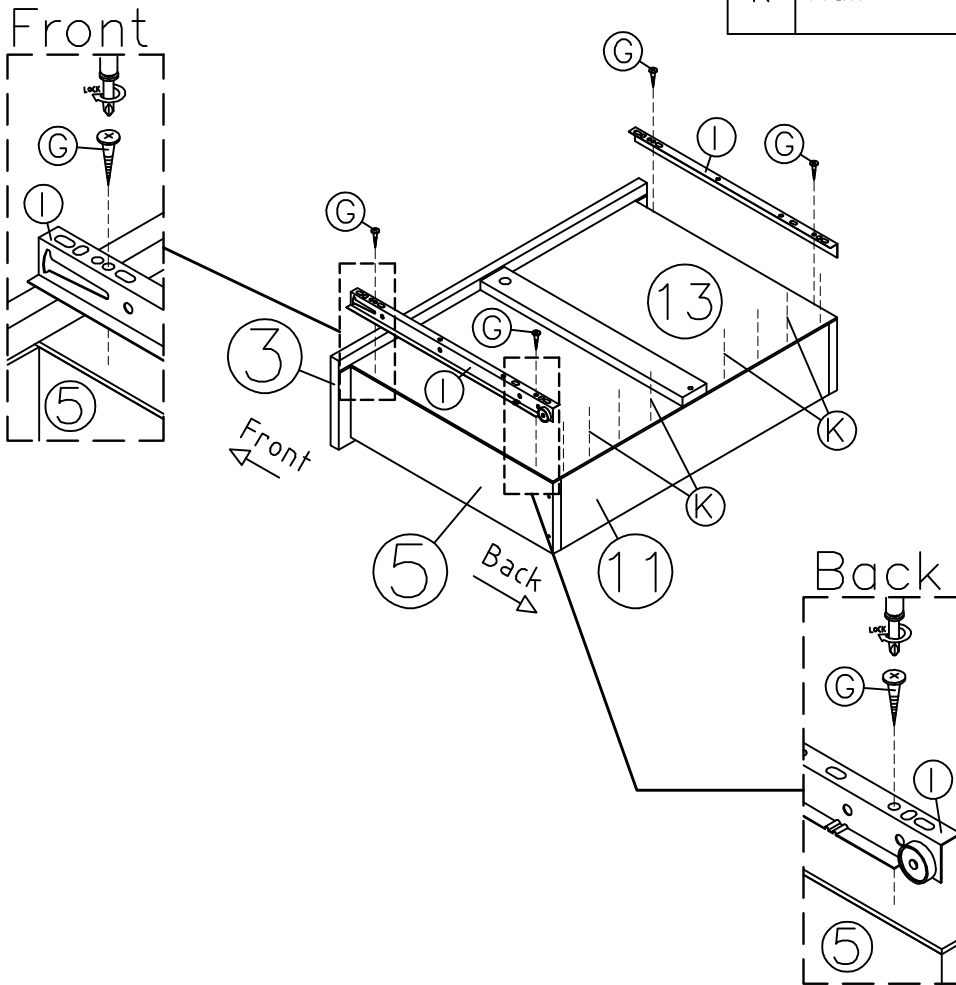
STEP 8

E	38mm Screw		x3
---	------------	--	----

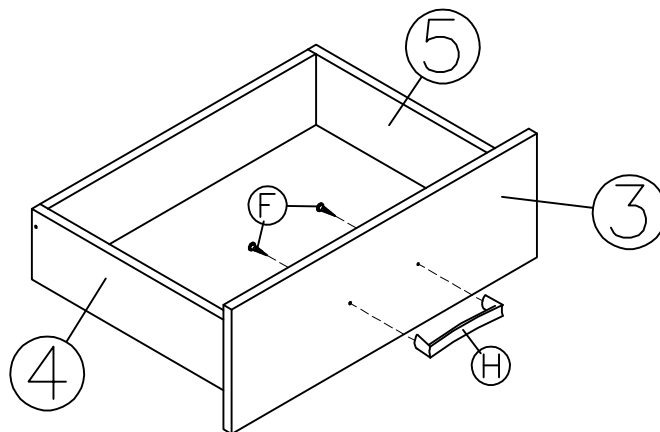


STEP 9

G	14 mm Screw		x12
I	14" Drawer Slide		3 Set
K	Nail		x18



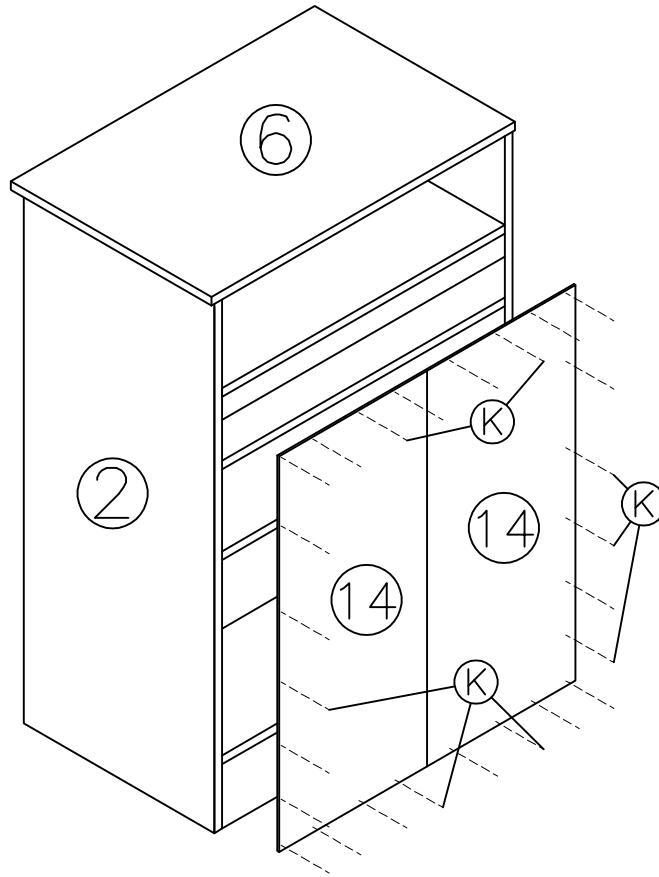
STEP 10



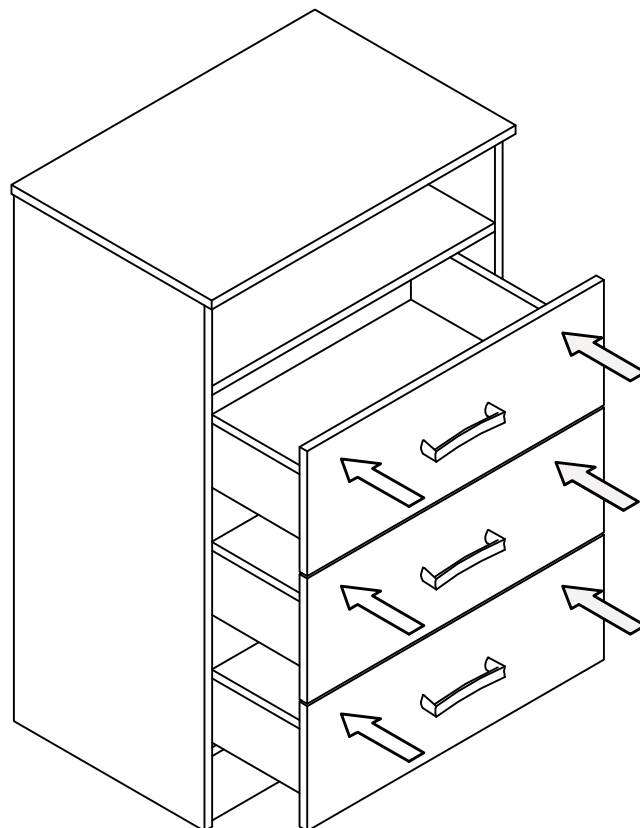
F	25mm Screw		x6
H	Handle (128mm)		x3

STEP 11

K	6/8"Nail		x26
---	----------	---	-----



STEP 12



STEP 13

WARNING

Serious or fatal injuries can occur from furniture tipping over. To prevent the furniture from tipping over we recommend that it is permanently fixed to the wall.

Wall fixings are not supplied with this product as different wall materials require different types of fixing devices. Please make sure you use fixings suitable for the walls in your home.

HARDWARE LIST

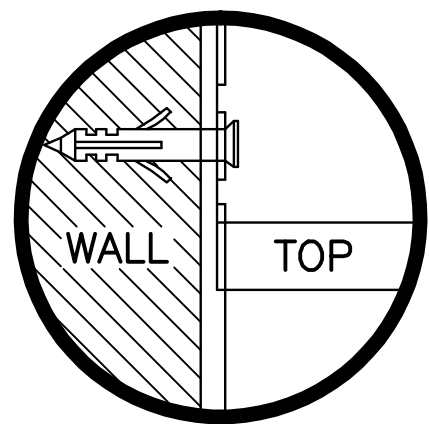
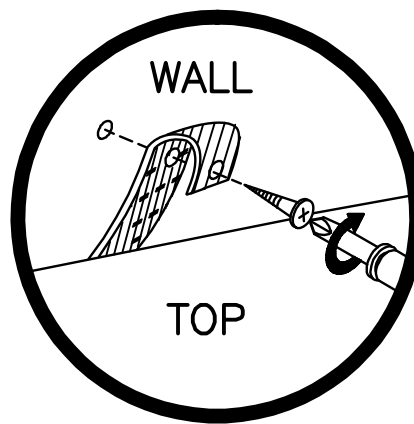
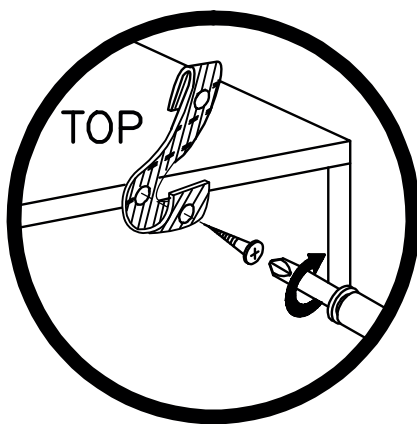
L



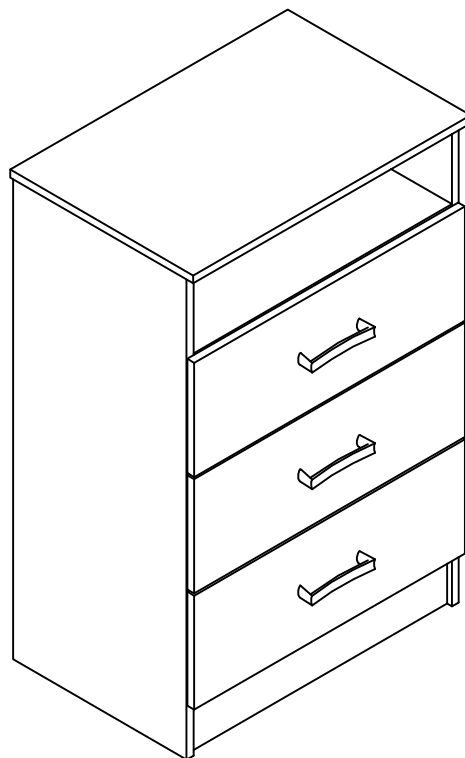
Anti-Tip Strap – 1pc



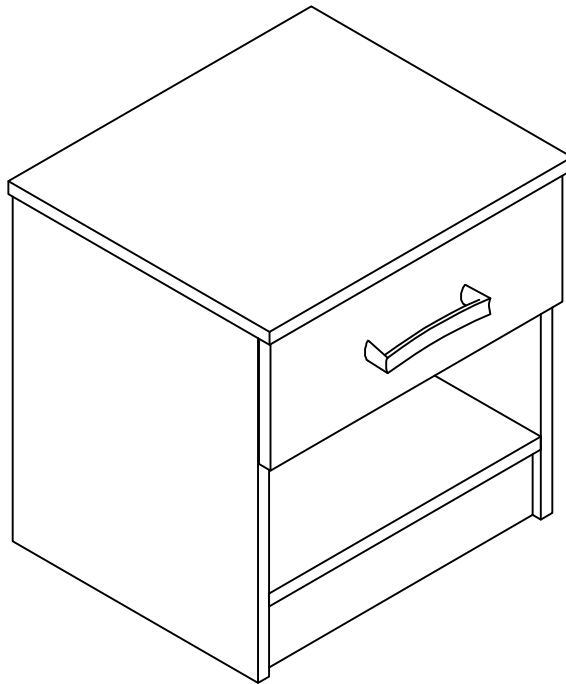
Screw 20 mm – 1pc



STEP 14



POLAR 1 DRAWER BEDSIDE ASSEMBLY INSTRUCTIONS



FOR DOMESTIC USE ONLY
IMPORTANT

PLEASE READ BEFORE YOU CONTINUE FURTHER

THE PRODUCT YOU HAVE PURCHASED WILL GIVE YOU MANY YEARS OF SERVICE IF YOU FOLLOW THE GUIDELINES FOR ITS SAFE ASSEMBLY AND PERIODIC MAINTENANCE AND CLEANING
ASSEMBLE ON A SOFT CLEAN SURFACE

DO NOT USE ANY TOOLS OTHER THAN THOSE SHOWN

ANY SPANNERS OR ALLEN KEYS REQUIRED ARE INCLUDED WITH THE FITTING KIT.

DO NOT FOR ANY REASON USE A POWER TOOL TO ASSEMBLE THIS PRODUCT. ITS USE WILL INVALIDATE ANY CLAIM YOU MAY HAVE AND COULD MAKE THIS PRODUCT UNSAFE.

DEPENDING ON THE AMOUNT OF USE THIS PRODUCT RECEIVES, IT MAY BE NECESSARY TO TIGHTEN UP THE FIXINGS FROM TIME TO TIME. THIS IS COMPLETELY NORMAL FOR ANY FLAT PACK FURNITURE. DO NOT OVERTIGHTEN FIXINGS.













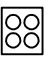
FOR CLEANING, YOU MAY USE A DAMP CLOTH (NOT WET). DO NOT USE POLISH, DETERGENT OR CHEMICAL CLEANERS.

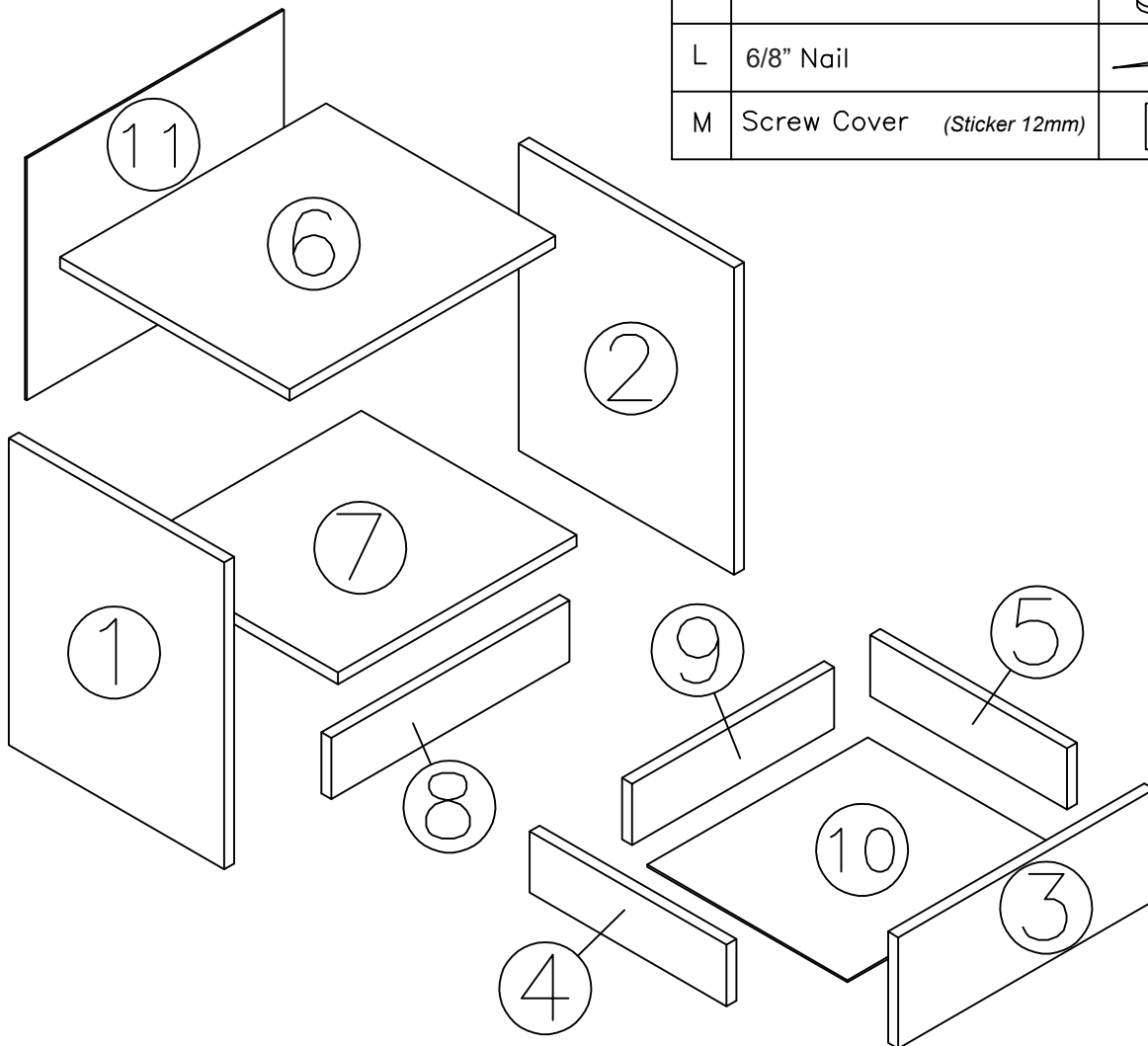
THIS SURFACE OF THIS ITEM IS NOT HEAT RESISTANT. ALWAYS USE A PLACE MAT UNDER HOT OR COLD ITEMS TO PREVENT MARKING.

PART LIST

No.	Part Name	Qty
1	Left Side Panel	x1
2	Right Side Panel	x1
3	Drawer Front	x1
4	Left Drawer Side	x1
5	Right Drawer Side	x1
6	Top Panel	x1
7	Bottom Panel	x1
8	Crossbar	x1
9	Drawer Back	x1
10	Drawer Base	x1
11	Back Panel	x1

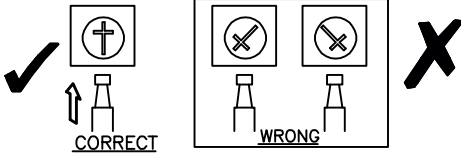
HARDWARE LIST

NO.	Hardware Name		Qty.
A	Wooden Dowel (6x25mm)		x8
B	Cam Bolt (8032T)		x6
C	Cam Nut (1512)		x6
D	45mm Screw (4x45mm)		x4
E	38mm Screw (4x38mm)		x4
F	25mm Screw (4x25mm)		x2
G	14 mm Screw (3.5x14mm)		x12
H	Handle (128mm) (AC71)		x1
I	12" Drawer Slide (0.8mm) W (vkt)		1 Set
J	PVC L-Bracket		x1
K	Plastic Foot		x5
L	6/8" Nail		x23
M	Screw Cover (Sticker 12mm)		x4

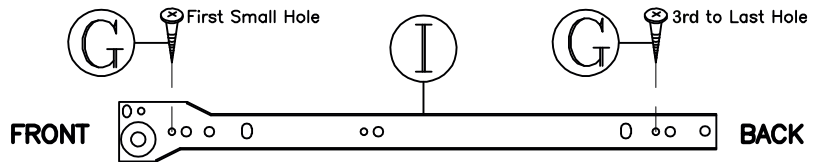


When Fitting Cams

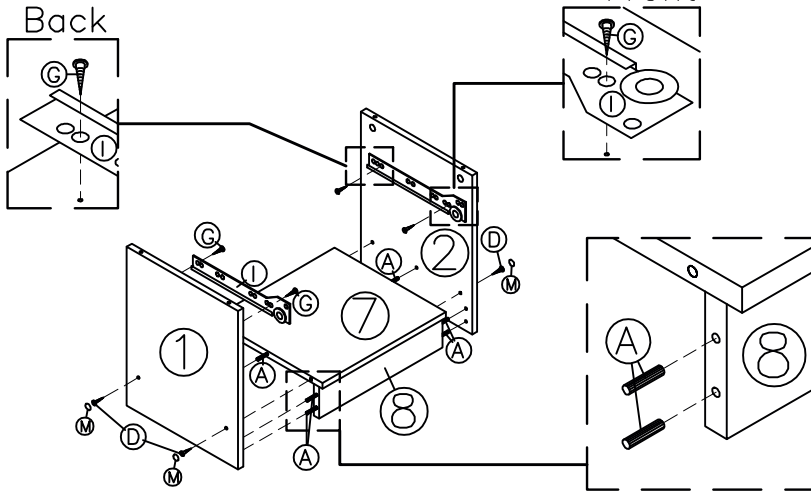
Ensure starting position correct before you insert connecting bolt turn clockwise until secure.



To Assemble the Drawer Slide. Please Follow Step as Below

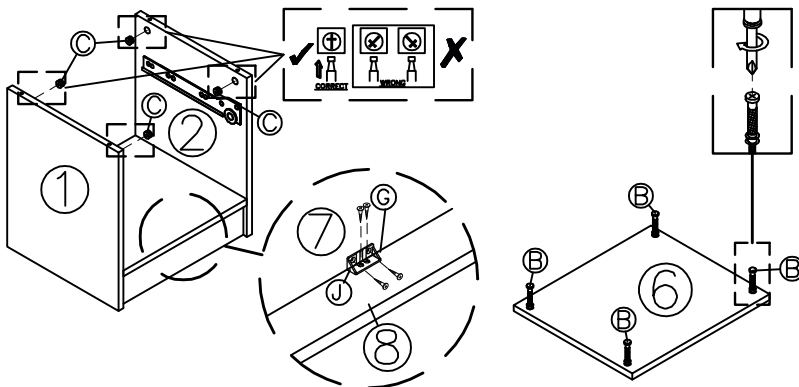


STEP 1



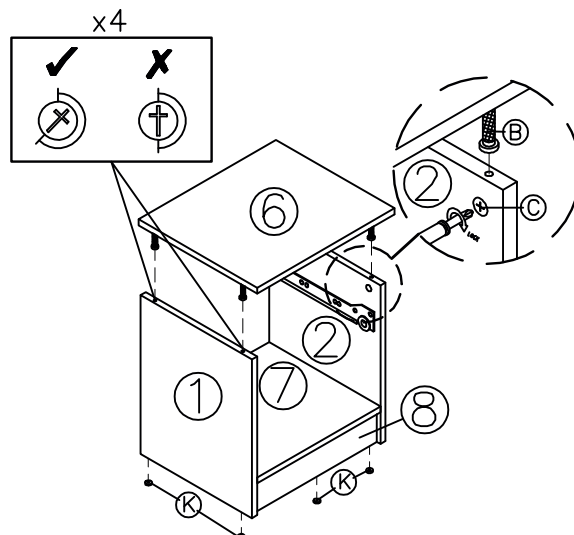
A	Wooden Dowel		x6
D	45mm Screw		x4
G	14 mm Screw		x4
I	12" Drawer Slide		
M	Screw Cover		x4

STEP 2



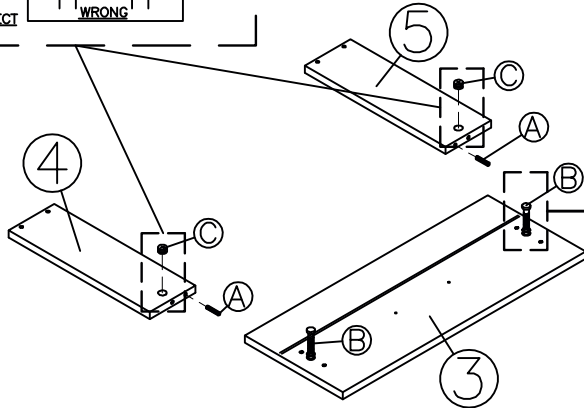
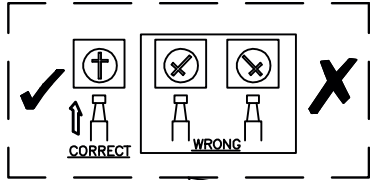
B	Cam Bolt		x4
C	Cam Nut		x4
G	14 mm Screw		x4
J	PVC L- Bracket		x1

STEP 3



K	Plastic Foot		x5
---	--------------	--	----

STEP 4



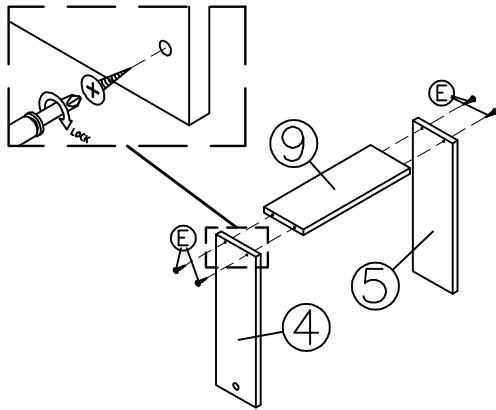
A	Wooden Dowel		x2
B	Cam Bolt		x2
C	Cam Nut		x2

STEP 5

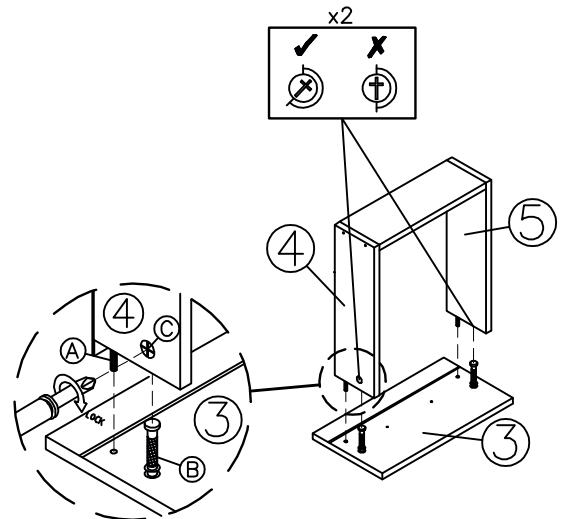
E 38mm Screw



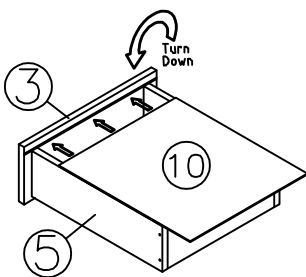
x4



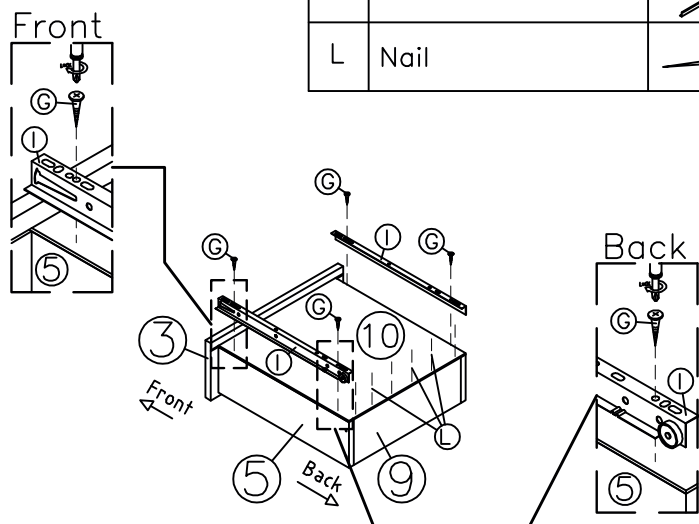
STEP 6



STEP 7



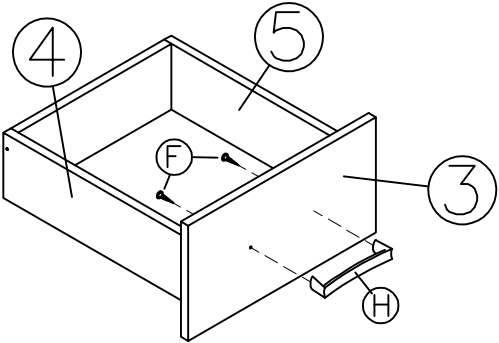
STEP 8



G	14 mm Screw		x4
I	12" Drawer Slide		1 Set
L	Nail		x9

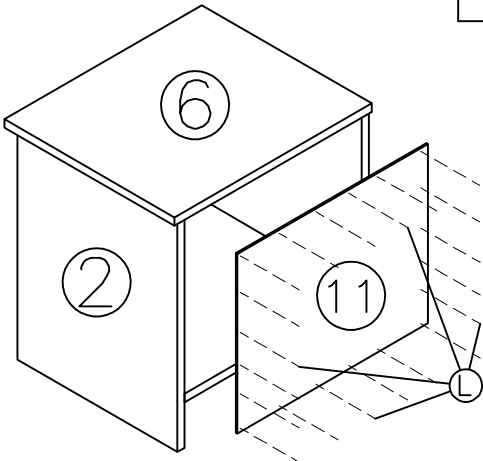
STEP 9

F	25mm Screw		x2
H	Handle (128mm)		x1

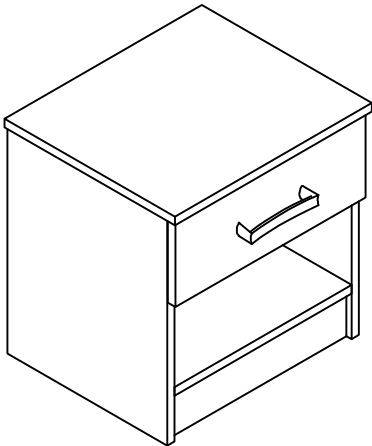


STEP 10

L	6/8" Nail		x14
---	-----------	---	-----



STEP 11



FINISH